

Sona™



Suspended
Direct/Indirect
3 T5HO



Project Name

Spec Type

Notes

Order Guide

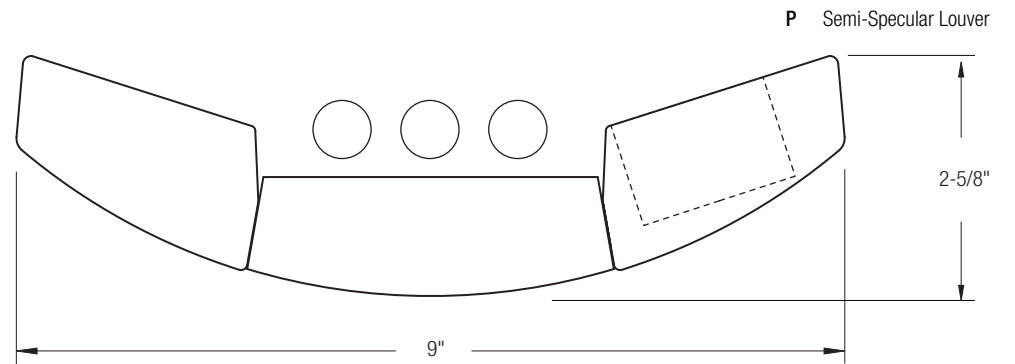
Some combinations of product options may not be available. Consult factory for assistance with your specification.

7706	H03	<input type="text"/>	<input type="text"/>	-	<input type="text"/>	-	<input type="text"/>	-	<input type="text"/>	-	<input type="text"/>
Product Series & Type Sona Direct/Indirect	Lamping 3 T5HO	Lower Optics P Semi-Specular Louver W White Louver	Upper Optics N None D 60% Down Kit G 80% Down Kit J 100% Down Kit Y 2 Down / 1 Up Kit Z 1 Down / 2 Up Kit	Run Length <i>Enter the total run length in feet (4ft increments)</i>	Wiring 1 1 cct 2 2 cct 3 1 cct w/ Emergency cct 4 2 cct w/ Emergency cct 5 1 cct w/ Battery Pack 6 2 cct w/ Battery Pack 7 1 cct Dimming	Voltage 1 120V 2 277V 3 347V	Ballast E Standard Ballast Consult website for ballast manufacturer information	Color & Finish W Standard White C Factory Color X Custom Color Consult website for color and finish options			
Mounting Hardware											
<input type="text"/>						<input type="text"/>					
Mount Type Consult separate mounting spec sheet for mount type options						Suspension Length <i>Enter distance from ceiling to top of fixture in inches</i>					

Upgrades & Accessories

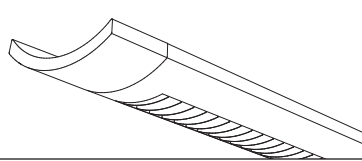
Please indicate with check mark.

<input type="checkbox"/> Lamps Included	<input checked="" type="checkbox"/> Lamps Included and Installed
<input type="checkbox"/> Flat Endcap See details on reverse	
<input type="checkbox"/> Response Daylight (Integrated Controls) For details visit www.ledalite.com/response	



Sona™

Suspended
Direct/Indirect
3 T5HO



Photometry Optics PJ Semi-Specular Louver w/ 100% Down Kit

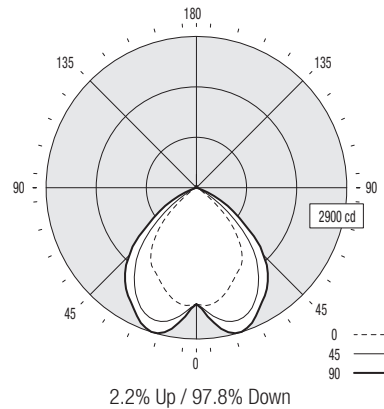
Report Summary

Report # 9900847
Filename 7706H03PJ.ies
Efficiency 37.6%

Peak Candela Value* N/A
Peak to Zenith Ratio* N/A : 1
* Between 90-180° vertical angle

Candela Distribution

Vertical Angle	Horizontal Angle					Zonal Lumens
	0	22.5	45	67.5	90	
0	2233	2233	2233	2233	2233	
5	2266	2302	2388	2425	2479	235
15	2109	2348	2655	2845	2889	729
25	1825	2249	2539	2700	2713	1121
35	1528	1968	2090	2279	2368	1285
45	894	1200	1422	1682	1824	1078
55	186	317	571	867	1014	542
65	49	59	81	269	375	164
75	13	13	13	13	10	18
85	2	2	2	2	1	2
90	0	0	0	0	0	
95	4	4	6	7	9	7
105	5	7	8	9	10	8
115	5	10	11	12	13	11
125	5	12	16	17	19	12
135	6	15	20	23	24	13
145	7	17	22	27	30	12
155	8	15	25	29	33	11
165	8	9	19	29	31	6
175	7	8	8	8	8	1
180	7	7	7	7	7	



Coefficients of Utilization (%)

Ceiling:	80				70				50				0			
	70	50	30	10	70	50	30	10	50	30	10	10	10	10	10	
0 RCR	44	44	44	44	43	43	43	41	41	41	41	37				
1	42	40	39	38	41	39	38	38	37	36	33					
2	39	36	34	33	38	36	34	34	33	31	29					
3	36	33	30	28	35	32	30	31	29	28	26					
4	33	30	27	25	33	29	27	28	26	24	23					
5	31	27	24	22	30	26	24	26	23	22	20					
6	29	24	22	20	28	24	21	23	21	19	18					
7	27	22	20	17	26	22	19	21	19	17	16					
8	25	21	18	16	24	20	18	20	17	16	15					
9	23	19	16	14	23	19	16	18	16	14	13					
10	22	17	15	13	21	17	15	17	14	13	12					

Based on a floor reflectance of 0.2

Avg. Luminance (cd/m²)

Vertical Angle	Horizontal Angle		
	0	45	90
55	2643	8115	14411
65	945	1562	7233
75	409	409	315
85	187	187	94

IES files for this and other photometric options can be downloaded online at www.ledalite.com

Additional Information

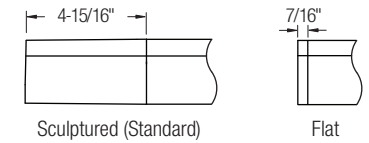
Modules

Module length excludes endcaps.
Nominal mount spacing for individually mounted modules.

Module	Mount Spacing
4ft	4' 0"
8ft	8' 0"
12ft*	12' 0"

*12ft not available with Direct/Indirect

Endcap

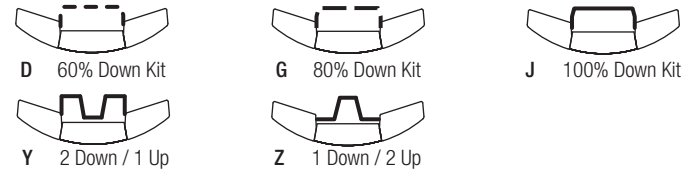


Sling Mount Detail

Fixture uses 1/16" steel sling-mounted aircraft cable for horizontal leveling.



Upper Optics



Specifications

Due to continuing product improvements, Ledalite reserves the right to change specifications without notice.

Housing

Die-formed 20 gauge cold-rolled steel.

Weight

3.4 lb/ft.

Optical System

Direct/Indirect: Constructed of 96% reflective white steel and specular aluminum to produce a direct/indirect distribution. Semi-specular louvers are aluminum and spaced 1-7/16" apart. White baffles are spaced 1-5/16" apart. Standard distribution is 70% up and 30% down. Optional field-installable Variable Optics kits provide additional downlight as required.

Semi-Indirect: Constructed of 96% reflective white steel with perforated housing and acrylic overlay to produce a semi-indirect distribution. Perforated housing available in round or slot perforation patterns.

High performance options use additional highly-specular aluminum reflectors.

Endcaps

Available with either die-cast sculptured endcaps (standard) or flat die-cast endcaps (option).

Joints

Self-aligning joining system with hands-free pre-joining wire access.

Mounting

Fixture uses 1/16" steel sling-mounted aircraft cable for horizontal leveling. Aircraft cable gripper provides continuous vertical adjustment capability. Aircraft cable, crimp and cable gripper are independently tested to meet stringent safety requirements.

Electrical

Factory pre-wired to section ends with quick-wire connectors.

Ballast

Electronic.

Approvals

Certified to UL and CSA standards.

Finish

High-quality powder coat. Available in Ledalite Standard White (textured matte finish), and a selection of other factory and customer-specified colors. Consult factory for details.