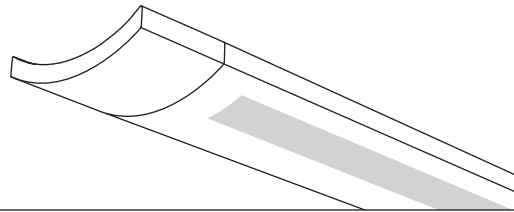


Sona™



Suspended
Semi-Indirect
3 T5HO



Project Name

Spec Type

Notes

Order Guide

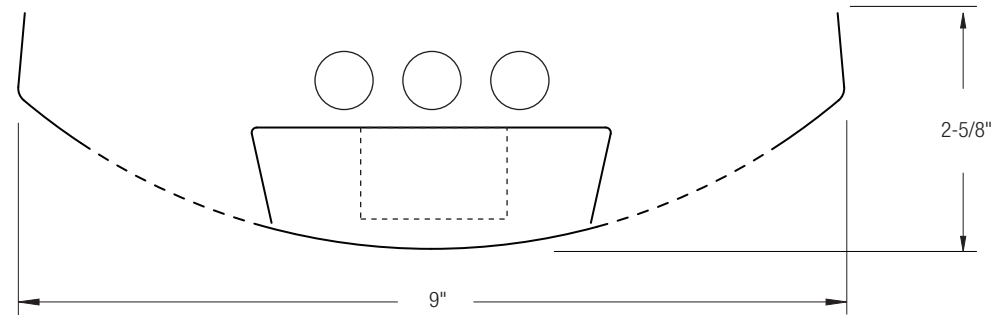
Some combinations of product options may not be available. Consult factory for assistance with your specification.

7705	H03	<input type="text"/>	<input type="text"/>	-	<input type="text"/>	-	<input type="text"/>	-	<input type="text"/>	-	<input type="text"/>
Product Series & Type Sona Semi-Indirect	Lamping 3 T5HO	Lower Optics L Round Perf Housing I Slot Perf Housing	Upper Optics N None	Run Length <i>Enter the total run length in feet (4ft increments)</i>	Wiring 1 1 cct 2 2 cct 3 1 cct w/ Emergency cct 4 2 cct w/ Emergency cct 5 1 cct w/ Battery Pack 6 2 cct w/ Battery Pack 7 1 cct Dimming	Voltage 1 120V 2 277V 3 347V	Ballast E Standard Ballast Consult website for ballast manufacturer information	Color & Finish W Standard White C Factory Color X Custom Color Consult website for color and finish options			
		See details on reverse	See details on reverse	See details on reverse	Consult website for complete list of standard wiring options						
						Mounting Hardware					
						<input type="text"/>		<input type="text"/>			
						Mount Type Consult separate mounting spec sheet for mount type options	Suspension Length <i>Enter distance from ceiling to top of fixture in inches</i>				

Upgrades & Accessories

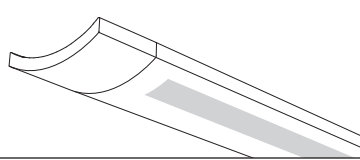
Please indicate with check mark.

<input type="checkbox"/> Lamps Included	<input checked="" type="checkbox"/> Lamps Included and Installed
<input type="checkbox"/> Flat Endcap See details on reverse	
<input type="checkbox"/> Response Daylight (Integrated Controls) For details visit www.ledalite.com/response	



Sona™

Suspended
Semi-Indirect
3 T5HO



Photometry Optics IN Slot Perf Housing

Report Summary

Report # 9900856
Filename 7705H03IN.ies
Efficiency 85.6%

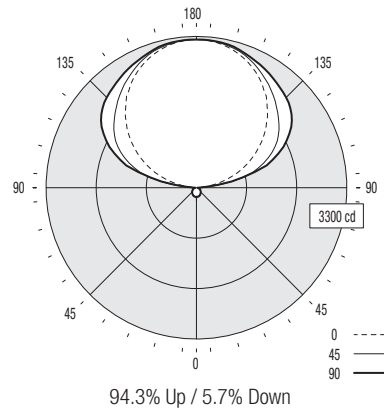
Peak Candela Value* 3234 @ 178°
Peak to Zenith Ratio* 1 : 1

* Between 90-180° vertical angle

Meets RP-1-04 recommendations for VDT-Intensive spaces

Candela Distribution

Vertical Angle	Horizontal Angle					Zonal Lumens
	0	22.5	45	67.5	90	
0	199	199	199	199	199	
5	198	198	199	198	199	19
15	191	192	193	192	194	55
25	178	177	177	177	178	82
35	157	154	156	153	156	97
45	131	128	130	129	133	100
55	104	101	104	105	108	92
65	72	73	77	80	81	76
75	43	45	50	51	53	52
85	16	20	25	27	28	27
90	6	12	20	22	26	
95	158	273	280	191	205	303
105	680	944	1267	1283	1325	1169
115	1234	1432	1834	2012	2107	1713
125	1745	1852	2213	2469	2557	1939
135	2207	2269	2485	2703	2784	1921
145	2585	2638	2757	2875	2922	1725
155	2899	2920	2987	3032	3054	1374
165	3109	3116	3151	3172	3183	888
175	3219	3219	3227	3228	3229	312
180	3233	3233	3233	3233	3233	



Coefficients of Utilization (%)

Ceiling:	80					70					0
	70	50	30	10	70	50	30	50	30	10	
0 RCR	82	82	82	82	71	71	71	49	49	49	4
1	75	71	68	65	64	61	59	43	41	40	3
2	68	62	57	53	58	53	49	37	35	33	2
3	62	54	48	44	53	47	42	33	30	27	2
4	56	48	41	37	48	41	36	29	26	23	2
5	51	42	36	31	44	36	31	26	22	20	1
6	47	37	31	26	40	32	27	23	19	17	1
7	43	34	27	23	37	29	24	20	17	14	1
8	40	30	24	20	34	26	21	18	15	13	1
9	37	27	21	17	32	24	19	17	13	11	1
10	34	25	19	15	29	21	17	15	12	10	0

Based on a floor reflectance of 0.2

Avg. Luminance (cd/m²)

Vertical Angle	Horizontal Angle		
	0	45	90
55	668	602	600
65	628	576	572
75	612	552	536
85	676	561	526

IES files for this and other photometric options can be downloaded online at www.ledalite.com

Additional Information

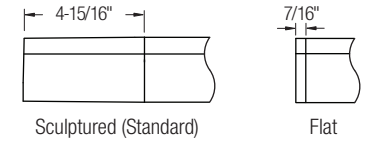
Modules

Module length excludes endcaps.
Nominal mount spacing for individually mounted modules.

Module	Mount Spacing
4ft	4' 0"
8ft	8' 0"
12ft*	12' 0"

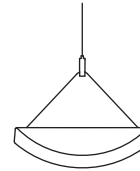
*12ft not available with Direct/Indirect

Endcap

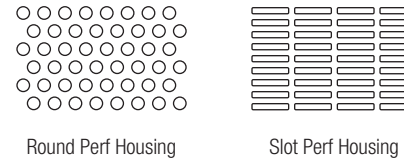


Sling Mount Detail

Fixture uses 1/16" steel sling-mounted aircraft cable for horizontal leveling.



Lower Optics



Specifications

Due to continuing product improvements, Ledalite reserves the right to change specifications without notice.

Housing

Die-formed 20 gauge cold-rolled steel.

Weight

3.4 lb/ft.

Optical System

Direct/Indirect: Constructed of 96% reflective white steel and specular aluminum to produce a direct/indirect distribution. Semi-specular louvers are aluminum and spaced 1-7/16" apart. White baffles are spaced 1-5/16" apart. Standard distribution is 70% up and 30% down. Optional field-installable Variable Optics kits provide additional downlight as required.

Semi-Indirect: Constructed of 96% reflective white steel with perforated housing and acrylic overlay to produce a semi-indirect distribution. Perforated housing available in round or slot perforation patterns.

High performance options use additional highly-specular aluminum reflectors.

Endcaps

Available with either die-cast sculptured endcaps (standard) or flat die-cast endcaps (option).

Joints

Self-aligning joining system with hands-free pre-joining wire access.

Mounting

Fixture uses 1/16" steel sling-mounted aircraft cable for horizontal leveling. Aircraft cable gripper provides continuous vertical adjustment capability. Aircraft cable, crimp and cable gripper are independently tested to meet stringent safety requirements.

Electrical

Factory pre-wired to section ends with quick-wire connectors.

Ballast

Electronic.

Approvals

Certified to UL and CSA standards.

Finish

High-quality powder coat. Available in Ledalite Standard White (textured matte finish), and a selection of other factory and customer-specified colors. Consult factory for details.