

Sona™



Suspended
Direct/Indirect
2 T8



Project Name

Spec Type

Notes


Order Guide

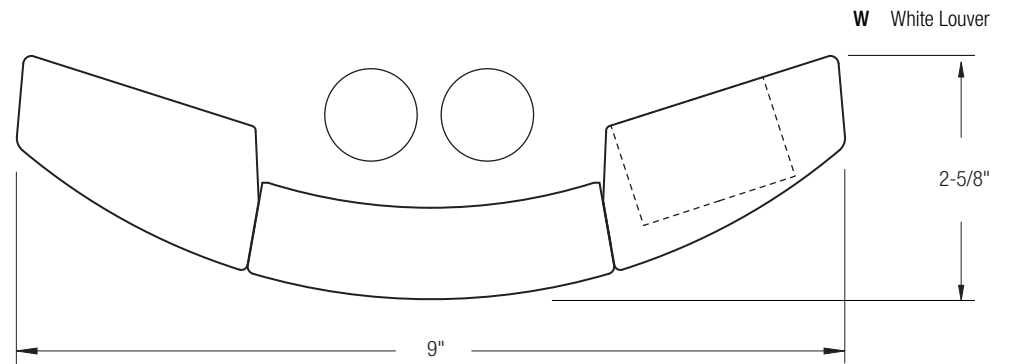
Some combinations of product options may not be available. Consult factory for assistance with your specification.

7706	T02			-		-		-	
Product Series & Type Sona Direct/Indirect	Lamping 2 T8	Lower Optics P Semi-Specular Louver W White Louver	Upper Optics N None D 60% Down Kit G 80% Down Kit J 100% Down Kit	Run Length <i>Enter the total run length in feet (4ft increments)</i>	Wiring 1 1 cct 2 2 cct 3 1 cct w/ Emergency cct 4 2 cct w/ Emergency cct 5 1 cct w/ Battery Pack 6 2 cct w/ Battery Pack 7 1 cct Dimming	Voltage 1 120V 2 277V 3 347V	Ballast E Standard Ballast Consult website for ballast manufacturer information	Color & Finish W Standard White C Factory Color X Custom Color Consult website for color and finish options	
Mounting Hardware									
				Mount Type		Suspension Length			
				Consult separate mounting spec sheet for mount type options		Enter distance from ceiling to top of fixture in inches			

Upgrades & Accessories

Please indicate with check mark.

<input type="checkbox"/> Lamps Included	<input type="checkbox"/> Lamps Included and Installed
<input type="checkbox"/> Flat Endcap See details on reverse	<input type="checkbox"/> Dust Cover Only available with upper optics option N 
<input type="checkbox"/> Response Daylight (Integrated Controls) For details visit www.ledalite.com/response	



Sona™

Suspended
Direct/Indirect
2 TB



Photometry Optics WN White Louver

Report Summary

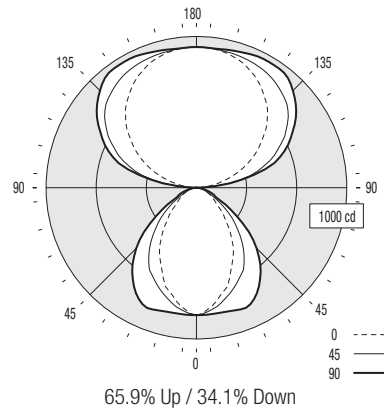
Report # 9900928
Filename 7706T02WN.ies
Efficiency 89.5%

Peak Candela Value* 961 @ 148°
Peak to Zenith Ratio* 1 : 1
* Between 90-180° vertical angle

Meets RP-1-04 recommendations for VDT-Normal spaces

Candela Distribution

Vertical Angle	Horizontal Angle					Zonal Lumens
	0	22.5	45	67.5	90	
0	843	843	843	843	843	
5	811	824	824	838	843	79
15	706	725	755	813	845	216
25	560	591	667	789	850	316
35	407	451	553	669	738	349
45	256	307	385	504	566	309
55	146	164	223	310	327	210
65	89	95	101	126	135	111
75	45	46	43	54	72	54
85	11	11	9	11	12	13
90	0	0	0	0	0	
95	55	101	131	94	127	122
105	203	316	420	435	474	392
115	373	474	597	645	673	554
125	526	603	739	787	807	625
135	666	712	831	891	907	621
145	771	795	880	941	960	546
155	851	860	906	947	959	418
165	903	903	920	934	939	261
175	927	928	929	928	928	89
180	930	930	930	930	930	



Coefficients of Utilization (%)

Ceiling:	80				70				50				0
	70	50	30	10	70	50	30	10	50	30	10	0	
0 RCR	92	92	92	92	82	82	82	65	65	65	28		
1	84	80	77	74	75	72	70	58	56	54	24		
2	77	71	66	61	69	64	60	51	48	45	21		
3	70	62	56	51	63	56	51	45	42	39	18		
4	64	55	49	44	58	50	44	40	36	33	16		
5	59	49	43	38	53	45	39	36	32	29	14		
6	54	44	37	33	49	40	34	33	28	25	12		
7	50	40	33	28	45	36	30	29	25	22	11		
8	47	36	30	25	42	33	27	27	23	20	10		
9	43	33	27	22	39	30	24	25	20	17	9		
10	40	30	24	20	36	28	22	23	18	16	8		

Based on a floor reflectance of 0.2

Avg. Luminance (cd/m²)

Vertical Angle	Horizontal Angle		
	0	45	90
55	2075	3169	4647
65	1717	1948	2604
75	1417	1354	2268
85	1029	842	1122

IES files for this and other photometric options can be downloaded online at www.ledalite.com

Additional Information

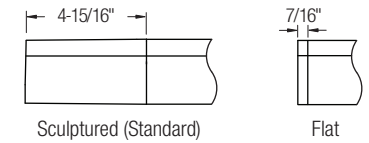
Modules

Module length excludes endcaps.
Nominal mount spacing for individually mounted modules.

Module	Mount Spacing
4ft	4' 0"
8ft	8' 0"
12ft*	12' 0"

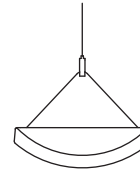
*12ft not available with Direct/Indirect

Endcap

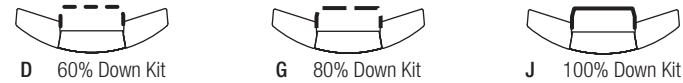


Sling Mount Detail

Fixture uses 1/16" steel sling-mounted aircraft cable for horizontal leveling.



Upper Optics



Specifications

Due to continuing product improvements, Ledalite reserves the right to change specifications without notice.

Housing

Die-formed 20 gauge cold-rolled steel.

Weight

3.4 lb/ft.

Optical System

Direct/Indirect: Constructed of 96% reflective white steel and specular aluminum to produce a direct/indirect distribution. Semi-specular louvers are aluminum and spaced 1-7/16" apart. White baffles are spaced 1-5/16" apart. Standard distribution is 70% up and 30% down. Optional field-installable Variable Optics kits provide additional downlight as required.

Semi-Indirect: Constructed of 96% reflective white steel with perforated housing and acrylic overlay to produce a semi-indirect distribution. Perforated housing available in round or slot perforation patterns.

High performance options use additional highly-specular aluminum reflectors.

Endcaps

Available with either die-cast sculptured endcaps (standard) or flat die-cast endcaps (option).

Joints

Self-aligning joining system with hands-free pre-joining wire access.

Mounting

Fixture uses 1/16" steel sling-mounted aircraft cable for horizontal leveling. Aircraft cable gripper provides continuous vertical adjustment capability. Aircraft cable, crimp and cable gripper are independently tested to meet stringent safety requirements.

Electrical

Factory pre-wired to section ends with quick-wire connectors.

Ballast

Electronic.

Approvals

Certified to UL and CSA standards.

Finish

High-quality powder coat. Available in Ledalite Standard White (textured matte finish), and a selection of other factory and customer-specified colors. Consult factory for details.