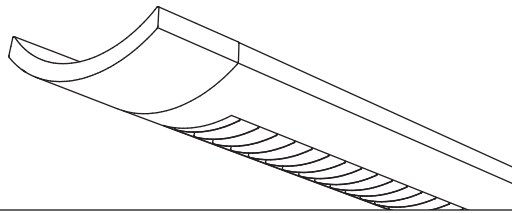


# Sona™



Suspended  
Direct/Indirect  
2 T8



Project Name

Spec Type

Notes


## Order Guide

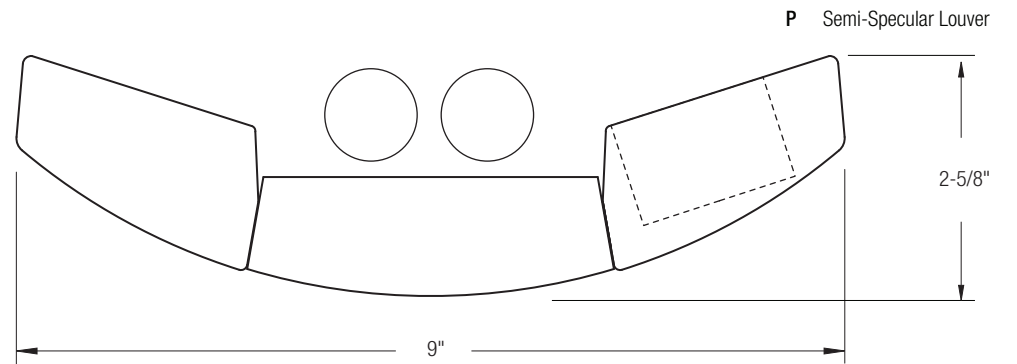
Some combinations of product options may not be available. Consult factory for assistance with your specification.

<b>7706</b>	<b>T02</b>	<input type="text"/>	<input type="text"/>	-	<input type="text"/>	-	<input type="text"/>	-	<input type="text"/>	-	<input type="text"/>
<b>Product Series &amp; Type</b> Sona Direct/Indirect	<b>Lamping</b> 2 T8	<b>Lower Optics</b> <b>P</b> Semi-Specular Louver <b>W</b> White Louver	<b>Upper Optics</b> <b>N</b> None <b>D</b> 60% Down Kit <b>G</b> 80% Down Kit <b>J</b> 100% Down Kit	<b>Run Length</b> <i>Enter the total run length in feet (4ft increments)</i>	<b>Wiring</b> <b>1</b> 1 cct <b>2</b> 2 cct <b>3</b> 1 cct w/ Emergency cct <b>4</b> 2 cct w/ Emergency cct <b>5</b> 1 cct w/ Battery Pack <b>6</b> 2 cct w/ Battery Pack <b>7</b> 1 cct Dimming	<b>Voltage</b> <b>1</b> 120V <b>2</b> 277V <b>3</b> 347V	<b>Ballast</b> <b>E</b> Standard Ballast  Consult website for ballast manufacturer information	<b>Color &amp; Finish</b> <b>W</b> Standard White <b>C</b> Factory Color <b>X</b> Custom Color  Consult website for color and finish options			
<b>Mounting Hardware</b>											
<input type="text"/>						<input type="text"/>					
<b>Mount Type</b> Consult separate mounting spec sheet for mount type options						<b>Suspension Length</b> <i>Enter distance from ceiling to top of fixture in inches</i>					

## Upgrades & Accessories

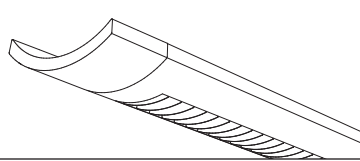
Please indicate with check mark.

<input type="checkbox"/> Lamps Included	<input type="checkbox"/> Lamps Included and Installed
<input type="checkbox"/> Flat Endcap See details on reverse	<input type="checkbox"/> Dust Cover Only available with upper optics option N 
<input type="checkbox"/> Response Daylight (Integrated Controls) For details visit <a href="http://www.ledalite.com/response">www.ledalite.com/response</a>	



# Sona™

Suspended  
Direct/Indirect  
2 TB



## Photometry Optics PN Semi-Specular Louver

### Report Summary

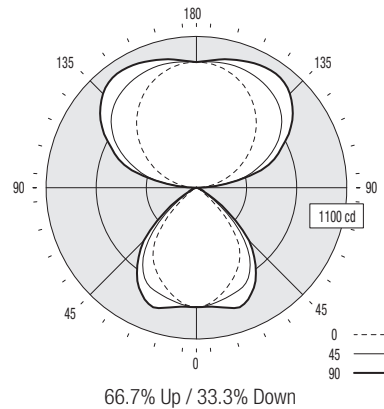
Report # 9900828  
Filename 7706T02PN.ies  
Efficiency 89.9%

Peak Candela Value\* 1013 @ 145°  
Peak to Zenith Ratio\* 1.1 : 1  
\* Between 90-180° vertical angle

Meets RP-1-04 recommendations for VDT-Intensive spaces

### Candela Distribution

Vertical Angle	Horizontal Angle					Zonal Lumens
	0	22.5	45	67.5	90	
0	869	869	869	869	869	
5	855	859	861	866	869	83
15	780	793	831	881	904	236
25	682	711	799	874	896	365
35	550	616	685	730	759	418
45	296	396	449	511	545	336
55	61	103	155	204	229	144
65	16	20	20	44	59	33
75	6	6	4	4	3	6
85	2	1	0	0	0	1
90	0	0	0	0	0	
95	59	102	138	121	143	131
105	190	315	419	460	490	399
115	341	473	609	656	686	558
125	485	596	757	826	857	637
135	618	700	851	939	967	633
145	731	788	898	983	1013	555
155	820	856	922	978	999	424
165	878	898	930	956	965	263
175	910	914	920	925	926	89
180	913	913	913	913	913	



### Coefficients of Utilization (%)

Ceiling:	80				70				50				0				
	70	50	30	10	70	50	30	10	50	30	10	0	70	50	30	10	0
0 RCR	92	92	92	92	82	82	82	65	65	65	27						
1	85	81	78	75	76	73	71	58	56	55	24						
2	78	72	67	63	70	65	61	52	49	47	22						
3	71	64	58	53	64	58	53	46	43	40	19						
4	65	57	50	45	59	51	46	41	38	35	17						
5	60	51	44	39	54	46	40	37	33	30	15						
6	56	46	39	34	50	42	36	34	30	26	14						
7	51	41	35	30	46	38	32	31	26	23	12						
8	48	37	31	26	43	34	29	28	24	21	11						
9	44	34	28	24	40	31	26	26	21	19	10						
10	41	31	25	21	37	29	23	24	19	17	9						

Based on a floor reflectance of 0.2

### Avg. Luminance (cd/m<sup>2</sup>)

Vertical Angle	Horizontal Angle		
	0	45	90
55	867	2203	3254
65	309	386	1138
75	189	126	94
85	187	0	0

IES files for this and other photometric options can be downloaded online at [www.ledalite.com](http://www.ledalite.com)

## Additional Information

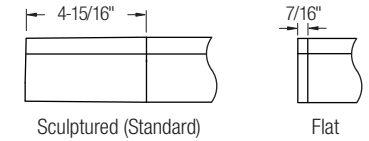
### Modules

Module length excludes endcaps.  
Nominal mount spacing for individually mounted modules.

Module	Mount Spacing
4ft	4' 0"
8ft	8' 0"
12ft*	12' 0"

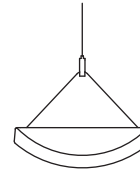
\*12ft not available with Direct/Indirect

### Endcap

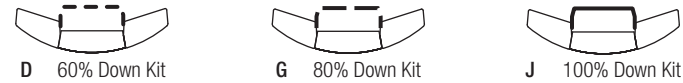


### Sling Mount Detail

Fixture uses 1/16" steel sling-mounted aircraft cable for horizontal leveling.



### Upper Optics



## Specifications

Due to continuing product improvements, Ledalite reserves the right to change specifications without notice.

### Housing

Die-formed 20 gauge cold-rolled steel.

### Weight

3.4 lb/ft.

### Optical System

Direct/Indirect: Constructed of 96% reflective white steel and specular aluminum to produce a direct/indirect distribution. Semi-specular louvers are aluminum and spaced 1-7/16" apart. White baffles are spaced 1-5/16" apart. Standard distribution is 70% up and 30% down. Optional field-installable Variable Optics kits provide additional downlight as required.

Semi-Indirect: Constructed of 96% reflective white steel with perforated housing and acrylic overlay to produce a semi-indirect distribution. Perforated housing available in round or slot perforation patterns.

High performance options use additional highly-specular aluminum reflectors.

### Endcaps

Available with either die-cast sculptured endcaps (standard) or flat die-cast endcaps (option).

### Joints

Self-aligning joining system with hands-free pre-joining wire access.

### Mounting

Fixture uses 1/16" steel sling-mounted aircraft cable for horizontal leveling. Aircraft cable gripper provides continuous vertical adjustment capability. Aircraft cable, crimp and cable gripper are independently tested to meet stringent safety requirements.

### Electrical

Factory pre-wired to section ends with quick-wire connectors.

### Ballast

Electronic.

### Approvals

Certified to UL and CSA standards.

### Finish

High-quality powder coat. Available in Ledalite Standard White (textured matte finish), and a selection of other factory and customer-specified colors. Consult factory for details.