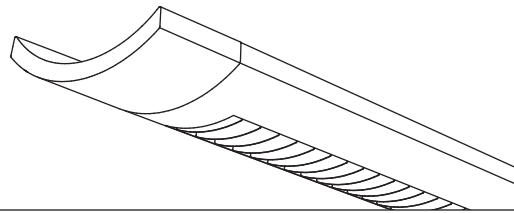


Sona™



Suspended
Direct/Indirect
2 T8



Project Name

Spec Type

Notes


Order Guide

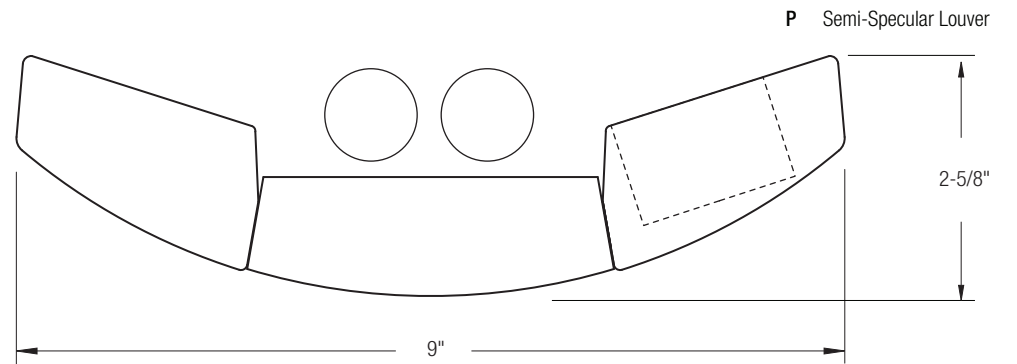
Some combinations of product options may not be available. Consult factory for assistance with your specification.

7706	T02			-		-		-		
Product Series & Type Sona Direct/Indirect	Lamping 2 T8	Lower Optics P Semi-Specular Louver W White Louver	Upper Optics N None D 60% Down Kit G 80% Down Kit J 100% Down Kit	Run Length <i>Enter the total run length in feet (4ft increments)</i>	Wiring 1 1 cct 2 2 cct 3 1 cct w/ Emergency cct 4 2 cct w/ Emergency cct 5 1 cct w/ Battery Pack 6 2 cct w/ Battery Pack 7 1 cct Dimming	Voltage 1 120V 2 277V 3 347V	Ballast E Standard Ballast Consult website for ballast manufacturer information	Color & Finish W Standard White C Factory Color X Custom Color Consult website for color and finish options		
									Mounting Hardware	
									<input type="text"/>	<input type="text"/>
									Mount Type Consult separate mounting spec sheet for mount type options	Suspension Length <i>Enter distance from ceiling to top of fixture in inches</i>

Upgrades & Accessories

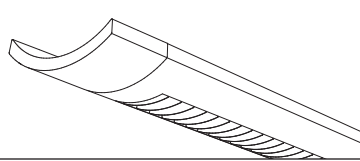
Please indicate with check mark.

<input type="checkbox"/> Lamps Included	<input type="checkbox"/> Lamps Included and Installed
<input type="checkbox"/> Flat Endcap See details on reverse	<input type="checkbox"/> Dust Cover Only available with upper optics option N 
<input type="checkbox"/> Response Daylight (Integrated Controls) For details visit www.ledalite.com/response	



Sona™

Suspended
Direct/Indirect
2 TB



Photometry Optics PJ Semi-Specular Louver w/ 100% Down Kit

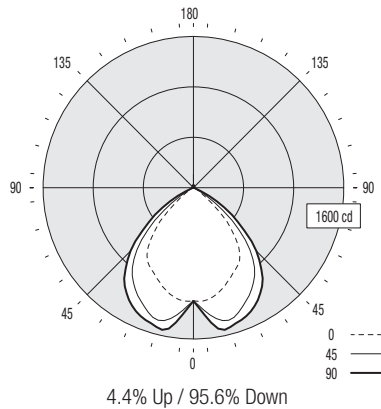
Report Summary

Report # 9900831 **Peak Candela Value*** N/A
Filename 7706T02PJ.ies **Peak to Zenith Ratio*** N/A : 1
Efficiency 47.5% * Between 90-180° vertical angle

Meets RP-1-04 recommendations for VDT-Normal spaces

Candela Distribution

Vertical Angle	Horizontal Angle					Zonal Lumens
	0	22.5	45	67.5	90	
0	1198	1198	1198	1198	1198	
5	1202	1244	1302	1332	1350	129
15	1123	1284	1452	1532	1525	393
25	996	1228	1323	1421	1444	597
35	861	1073	1135	1230	1274	697
45	504	666	780	891	947	580
55	105	165	282	435	501	273
65	26	32	36	82	91	61
75	7	7	7	6	4	9
85	1	1	1	1	1	1
90	0	0	0	0	0	
95	2	3	3	3	4	4
105	6	5	4	4	5	5
115	9	8	10	6	6	9
125	11	10	12	14	15	12
135	13	12	14	15	16	12
145	15	18	16	17	18	12
155	17	21	19	19	18	8
165	18	18	24	26	25	7
175	18	18	18	18	18	2
180	18	18	18	18	18	



Coefficients of Utilization (%)

Ceiling: Walk:	80				70				50				0			
	70	50	30	10	70	50	30	10	50	30	10	0	50	30	10	0
0 RCR	56	56	56	56	55	55	55	52	52	52	46					
1	53	51	49	48	51	50	48	48	47	46	42					
2	49	46	44	42	48	45	43	43	42	40	37					
3	46	42	39	36	44	41	38	39	37	35	33					
4	42	38	34	32	41	37	34	36	33	31	29					
5	39	34	31	28	38	34	30	33	30	28	26					
6	37	31	28	25	36	31	27	30	27	25	23					
7	34	29	25	22	33	28	25	27	24	22	21					
8	32	26	23	20	31	26	22	25	22	20	19					
9	30	24	21	18	29	24	21	23	20	18	17					
10	28	22	19	17	27	22	19	22	19	17	16					

Based on a floor reflectance of 0.2

Avg. Luminance (cd/m²)

Vertical Angle	Horizontal Angle		
	0	45	90
55	1492	4008	7120
65	501	694	1755
75	220	220	126
85	94	94	94

IES files for this and other photometric options can be downloaded online at www.ledalite.com

Additional Information

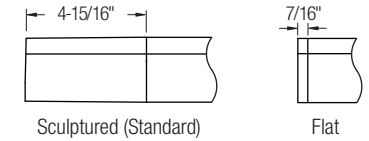
Modules

Module length excludes endcaps.
Nominal mount spacing for individually mounted modules.

Module	Mount Spacing
4ft	4' 0"
8ft	8' 0"
12ft*	12' 0"

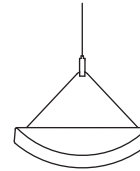
*12ft not available with Direct/Indirect

Endcap

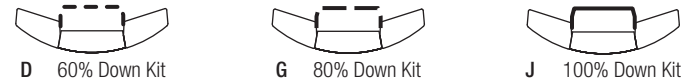


Sling Mount Detail

Fixture uses 1/16" steel sling-mounted aircraft cable for horizontal leveling.



Upper Optics



Specifications

Due to continuing product improvements, Ledalite reserves the right to change specifications without notice.

Housing

Die-formed 20 gauge cold-rolled steel.

Weight

3.4 lb/ft.

Optical System

Direct/Indirect: Constructed of 96% reflective white steel and specular aluminum to produce a direct/indirect distribution. Semi-specular louvers are aluminum and spaced 1-7/16" apart. White baffles are spaced 1-5/16" apart. Standard distribution is 70% up and 30% down. Optional field-installable Variable Optics kits provide additional downlight as required.

Semi-Indirect: Constructed of 96% reflective white steel with perforated housing and acrylic overlay to produce a semi-indirect distribution. Perforated housing available in round or slot perforation patterns.

High performance options use additional highly-specular aluminum reflectors.

Endcaps

Available with either die-cast sculptured endcaps (standard) or flat die-cast endcaps (option).

Joints

Self-aligning joining system with hands-free pre-joining wire access.

Mounting

Fixture uses 1/16" steel sling-mounted aircraft cable for horizontal leveling. Aircraft cable gripper provides continuous vertical adjustment capability. Aircraft cable, crimp and cable gripper are independently tested to meet stringent safety requirements.

Electrical

Factory pre-wired to section ends with quick-wire connectors.

Ballast

Electronic.

Approvals

Certified to UL and CSA standards.

Finish

High-quality powder coat. Available in Ledalite Standard White (textured matte finish), and a selection of other factory and customer-specified colors. Consult factory for details.