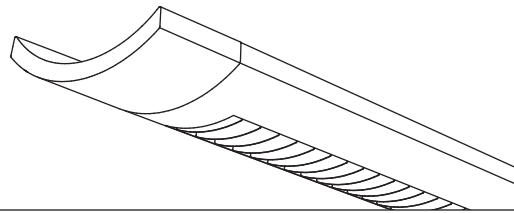


Sona™



Suspended
Direct/Indirect
2 T8



Project Name

Spec Type

Notes


Order Guide

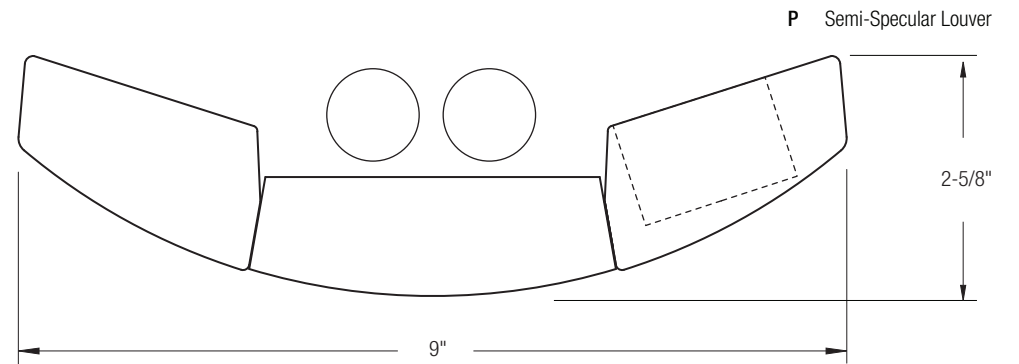
Some combinations of product options may not be available. Consult factory for assistance with your specification.

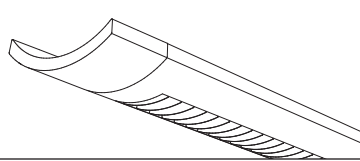
7706	T02			-		-		-	
Product Series & Type Sona Direct/Indirect	Lamping 2 T8	Lower Optics P Semi-Specular Louver W White Louver	Upper Optics N None D 60% Down Kit G 80% Down Kit J 100% Down Kit	Run Length <i>Enter the total run length in feet (4ft increments)</i>	Wiring 1 1 cct 2 2 cct 3 1 cct w/ Emergency cct 4 2 cct w/ Emergency cct 5 1 cct w/ Battery Pack 6 2 cct w/ Battery Pack 7 1 cct Dimming	Voltage 1 120V 2 277V 3 347V	Ballast E Standard Ballast Consult website for ballast manufacturer information	Color & Finish W Standard White C Factory Color X Custom Color Consult website for color and finish options	
Mounting Hardware									
				Mount Type		Suspension Length			
				Consult separate mounting spec sheet for mount type options		Enter distance from ceiling to top of fixture in inches			

Upgrades & Accessories

Please indicate with check mark.

<input type="checkbox"/> Lamps Included	<input type="checkbox"/> Lamps Included and Installed
<input type="checkbox"/> Flat Endcap See details on reverse	<input type="checkbox"/> Dust Cover Only available with upper optics option N 
<input type="checkbox"/> Response Daylight (Integrated Controls) For details visit www.ledalite.com/response	





Photometry Optics PG Semi-Specular Louver w/ 80% Down Kit

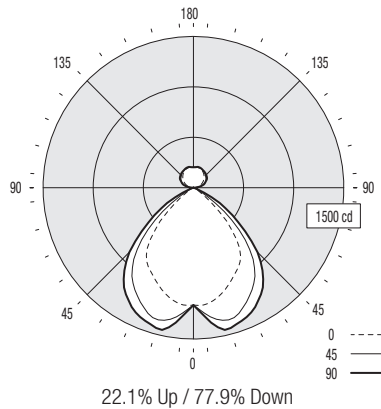
Report Summary

Report # 9900830 **Peak Candela Value*** 211 @ 165°
Filename 7706T02PG.ies **Peak to Zenith Ratio*** 1 : 1
Efficiency 57.3% * Between 90-180° vertical angle

Meets RP-1-04 recommendations for VDT-Normal spaces

Candela Distribution

Vertical Angle	Horizontal Angle					Zonal Lumens
	0	22.5	45	67.5	90	
0	1165	1165	1165	1165	1165	
5	1167	1204	1248	1273	1280	123
15	1087	1216	1357	1443	1440	370
25	958	1149	1252	1341	1364	565
35	819	1011	1070	1157	1207	658
45	472	634	730	848	903	548
55	93	158	269	422	475	263
65	24	30	35	89	119	64
75	7	7	6	5	4	8
85	1	1	1	0	0	1
90	0	0	0	0	0	0
95	17	28	37	33	29	32
105	56	75	93	97	95	90
115	90	105	129	133	132	119
125	122	129	153	164	165	132
135	151	154	170	179	180	129
145	175	178	187	193	192	116
155	194	194	201	203	203	92
165	204	204	208	210	211	59
175	205	205	204	204	204	19
180	203	203	203	203	203	



Coefficients of Utilization (%)

Ceiling:	80				70				50				0			
	70	50	30	10	70	50	30	10	50	30	10	0	70	50	30	10
0 RCR	65	65	65	65	62	62	62	56	56	56	44	65	65	65	65	
1	61	59	57	55	58	56	54	51	50	49	39	65	65	65	65	
2	56	53	50	47	54	50	48	46	44	42	35	65	65	65	65	
3	52	47	44	41	50	45	42	42	39	37	31	65	65	65	65	
4	48	43	39	35	46	41	37	38	35	33	28	65	65	65	65	
5	45	39	34	31	43	37	33	35	31	29	25	65	65	65	65	
6	41	35	31	28	40	34	30	31	28	26	22	65	65	65	65	
7	39	32	28	25	37	31	27	29	25	23	20	65	65	65	65	
8	36	29	25	22	34	28	24	26	23	21	18	65	65	65	65	
9	34	27	23	20	32	26	22	24	21	19	16	65	65	65	65	
10	31	25	21	18	30	24	20	23	19	17	15	65	65	65	65	

Based on a floor reflectance of 0.2

Avg. Luminance (cd/m²)

Vertical Angle	Horizontal Angle		
	0	45	90
55	1322	3823	6751
65	463	675	2295
75	220	189	126
85	94	94	0

IES files for this and other photometric options can be downloaded online at www.ledalite.com

Additional Information

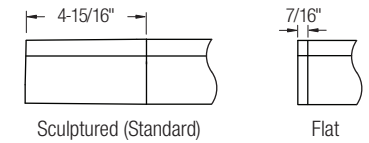
Modules

Module length excludes endcaps.
Nominal mount spacing for individually mounted modules.

Module	Mount Spacing
4ft	4' 0"
8ft	8' 0"
12ft*	12' 0"

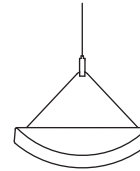
*12ft not available with Direct/Indirect

Endcap

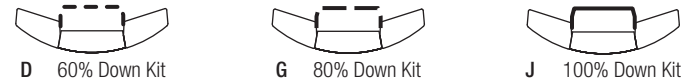


Sling Mount Detail

Fixture uses 1/16" steel sling-mounted aircraft cable for horizontal leveling.



Upper Optics



Specifications

Due to continuing product improvements, Ledalite reserves the right to change specifications without notice.

Housing

Die-formed 20 gauge cold-rolled steel.

Weight

3.4 lb/ft.

Optical System

Direct/Indirect: Constructed of 96% reflective white steel and specular aluminum to produce a direct/indirect distribution. Semi-specular louvers are aluminum and spaced 1-7/16" apart. White baffles are spaced 1-5/16" apart. Standard distribution is 70% up and 30% down. Optional field-installable Variable Optics kits provide additional downlight as required.

Semi-Indirect: Constructed of 96% reflective white steel with perforated housing and acrylic overlay to produce a semi-indirect distribution. Perforated housing available in round or slot perforation patterns.

High performance options use additional highly-specular aluminum reflectors.

Endcaps

Available with either die-cast sculptured endcaps (standard) or flat die-cast endcaps (option).

Joints

Self-aligning joining system with hands-free pre-joining wire access.

Mounting

Fixture uses 1/16" steel sling-mounted aircraft cable for horizontal leveling. Aircraft cable gripper provides continuous vertical adjustment capability. Aircraft cable, crimp and cable gripper are independently tested to meet stringent safety requirements.

Electrical

Factory pre-wired to section ends with quick-wire connectors.

Ballast

Electronic.

Approvals

Certified to UL and CSA standards.

Finish

High-quality powder coat. Available in Ledalite Standard White (textured matte finish), and a selection of other factory and customer-specified colors. Consult factory for details.