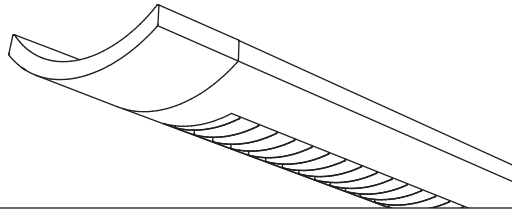


Sona™



Suspended
Direct/Indirect
2 T8



Project Name

Spec Type

Notes


Order Guide

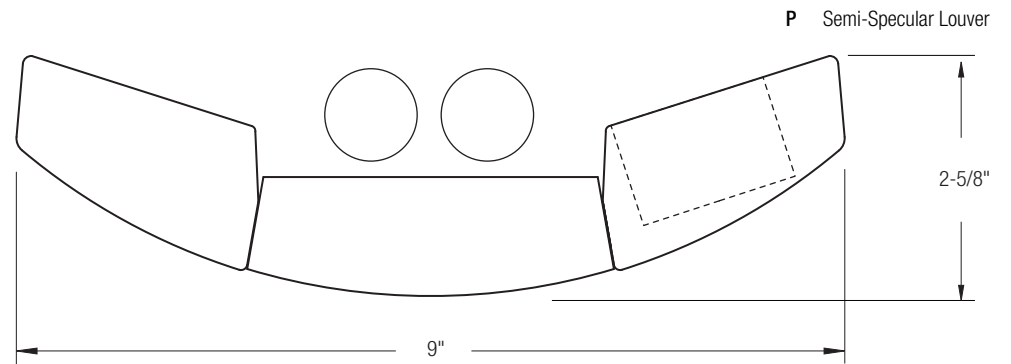
Some combinations of product options may not be available. Consult factory for assistance with your specification.

7706	T02	<input type="text"/>	<input type="text"/>	-	<input type="text"/>	-	<input type="text"/>	-	<input type="text"/>	-	<input type="text"/>
Product Series & Type Sona Direct/Indirect	Lamping 2 T8	Lower Optics P Semi-Specular Louver W White Louver	Upper Optics N None D 60% Down Kit G 80% Down Kit J 100% Down Kit	Run Length <i>Enter the total run length in feet (4ft increments)</i>	Wiring 1 1 cct 2 2 cct 3 1 cct w/ Emergency cct 4 2 cct w/ Emergency cct 5 1 cct w/ Battery Pack 6 2 cct w/ Battery Pack 7 1 cct Dimming	Voltage 1 120V 2 277V 3 347V	Ballast E Standard Ballast Consult website for ballast manufacturer information	Color & Finish W Standard White C Factory Color X Custom Color Consult website for color and finish options			
Mounting Hardware											
<input type="text"/>						<input type="text"/>					
Mount Type Consult separate mounting spec sheet for mount type options						Suspension Length <i>Enter distance from ceiling to top of fixture in inches</i>					

Upgrades & Accessories

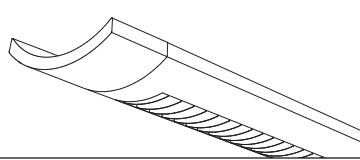
Please indicate with check mark.

<input type="checkbox"/> Lamps Included	<input type="checkbox"/> Lamps Included and Installed
<input type="checkbox"/> Flat Endcap See details on reverse	<input type="checkbox"/> Dust Cover Only available with upper optics option N 
<input type="checkbox"/> Response Daylight (Integrated Controls) For details visit www.ledalite.com/response	



Sona™

Suspended
Direct/Indirect
2 TB



Photometry Optics PD Semi-Specular Louver w/ 60% Down Kit

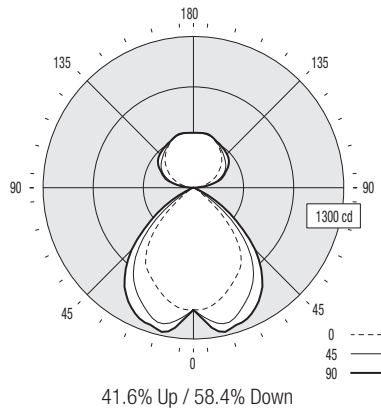
Report Summary

Report # 9900829 **Peak Candela Value*** 478 @ 165°
Filename 7706T02PD.ies **Peak to Zenith Ratio*** 1 : 1
Efficiency 67.6% * Between 90-180° vertical angle

Meets RP-1-04 recommendations for VDT-Normal spaces

Candela Distribution

Vertical Angle	Horizontal Angle					Zonal Lumens
	0	22.5	45	67.5	90	
0	1050	1050	1050	1050	1050	
5	1047	1078	1121	1140	1151	111
15	971	1081	1197	1252	1253	325
25	857	1013	1075	1158	1193	491
35	717	867	906	981	1040	563
45	401	534	614	710	757	463
55	83	136	223	337	384	215
65	22	26	27	64	74	48
75	7	6	5	2	1	6
85	2	1	0	0	0	0
90	0	0	0	0	0	0
95	29	53	78	82	69	73
105	117	157	206	227	223	197
115	206	231	288	300	303	267
125	277	288	342	366	374	296
135	346	351	376	403	409	292
145	399	401	411	429	429	260
155	443	440	451	452	450	207
165	473	470	470	477	478	134
175	476	476	475	474	473	47
180	472	472	472	472	472	



Coefficients of Utilization (%)

Ceiling:	80				70				50				0
	70	50	30	10	70	50	30	10	50	30	10	0	
0 RCR	73	73	73	73	68	68	68	58	58	58	37		
1	68	65	63	61	63	61	59	53	51	50	34		
2	63	58	55	52	58	55	51	47	45	43	30		
3	58	52	48	44	54	49	45	43	40	38	27		
4	53	47	42	38	50	44	40	39	35	33	24		
5	49	42	37	33	46	40	35	35	32	29	21		
6	46	38	33	29	43	36	31	32	28	26	19		
7	42	35	30	26	40	33	28	29	25	23	17		
8	39	32	27	23	37	30	25	27	23	21	15		
9	37	29	24	21	34	27	23	24	21	18	14		
10	34	27	22	19	32	25	21	23	19	17	13		

Based on a floor reflectance of 0.2

Avg. Luminance (cd/m²)

Vertical Angle	Horizontal Angle		
	0	45	90
55	1180	3169	5457
65	424	521	1427
75	220	157	31
85	187	0	0

IES files for this and other photometric options can be downloaded online at www.ledalite.com

Additional Information

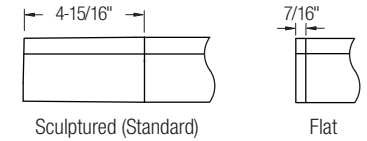
Modules

Module length excludes endcaps.
Nominal mount spacing for individually mounted modules.

Module	Mount Spacing
4ft	4' 0"
8ft	8' 0"
12ft*	12' 0"

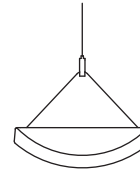
*12ft not available with Direct/Indirect

Endcap

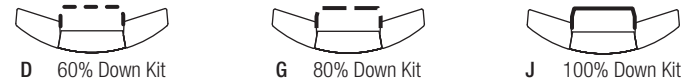


Sling Mount Detail

Fixture uses 1/16" steel sling-mounted aircraft cable for horizontal leveling.



Upper Optics



Specifications

Due to continuing product improvements, Ledalite reserves the right to change specifications without notice.

Housing

Die-formed 20 gauge cold-rolled steel.

Weight

3.4 lb/ft.

Optical System

Direct/Indirect: Constructed of 96% reflective white steel and specular aluminum to produce a direct/indirect distribution. Semi-specular louvers are aluminum and spaced 1-7/16" apart. White baffles are spaced 1-5/16" apart. Standard distribution is 70% up and 30% down. Optional field-installable Variable Optics kits provide additional downlight as required.

Semi-Indirect: Constructed of 96% reflective white steel with perforated housing and acrylic overlay to produce a semi-indirect distribution. Perforated housing available in round or slot perforation patterns.

High performance options use additional highly-specular aluminum reflectors.

Endcaps

Available with either die-cast sculptured endcaps (standard) or flat die-cast endcaps (option).

Joints

Self-aligning joining system with hands-free pre-joining wire access.

Mounting

Fixture uses 1/16" steel sling-mounted aircraft cable for horizontal leveling. Aircraft cable gripper provides continuous vertical adjustment capability. Aircraft cable, crimp and cable gripper are independently tested to meet stringent safety requirements.

Electrical

Factory pre-wired to section ends with quick-wire connectors.

Ballast

Electronic.

Approvals

Certified to UL and CSA standards.

Finish

High-quality powder coat. Available in Ledalite Standard White (textured matte finish), and a selection of other factory and customer-specified colors. Consult factory for details.