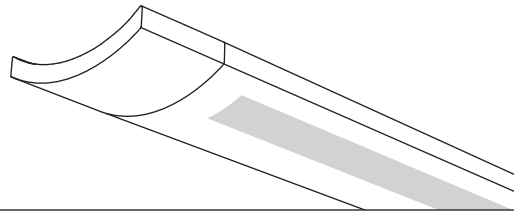


# Sona™



Suspended  
Semi-Indirect  
2 T8



Project Name

Spec Type

Notes


## Order Guide

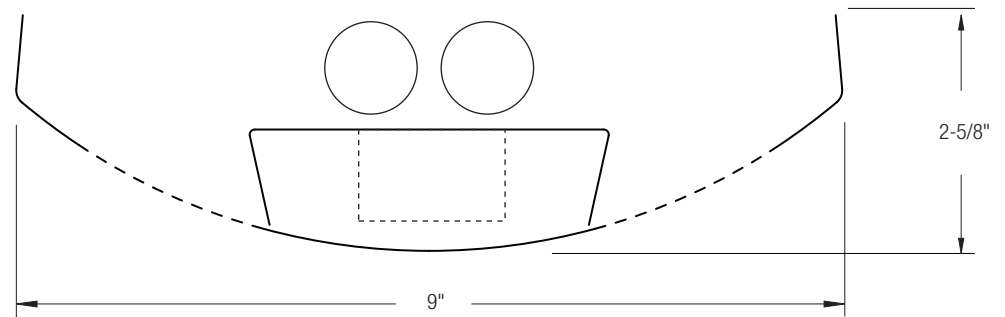
Some combinations of product options may not be available. Consult factory for assistance with your specification.

<b>7705</b>	<b>T02</b>	<input type="text"/>	<input type="text"/>	-	<input type="text"/>	-	<input type="text"/>	-	<input type="text"/>	-	<input type="text"/>
<b>Product Series &amp; Type</b> Sona Semi-Indirect	<b>Lamping</b> 2 T8	<b>Lower Optics</b> L Round Perf Housing I Slot Perf Housing	<b>Upper Optics</b> N None		<b>Run Length</b> <i>Enter the total run length in feet (4ft increments)</i>	<b>Wiring</b> 1 1 cct 2 2 cct 3 1 cct w/ Emergency cct 4 2 cct w/ Emergency cct 5 1 cct w/ Battery Pack 6 2 cct w/ Battery Pack 7 1 cct Dimming	<b>Voltage</b> 1 120V 2 277V 3 347V	<b>Ballast</b> E Standard Ballast  Consult website for ballast manufacturer information	<b>Color &amp; Finish</b> W Standard White C Factory Color X Custom Color  Consult website for color and finish options		
		See details on reverse	See details on reverse		See details on reverse	Consult website for complete list of standard wiring options	<b>Mounting Hardware</b> <input type="text"/> <input type="text"/> <b>Mount Type</b> <input type="text"/> <b>Suspension Length</b> Consult separate mounting spec sheet for mount type options <i>Enter distance from ceiling to top of fixture in inches</i>				

## Upgrades & Accessories

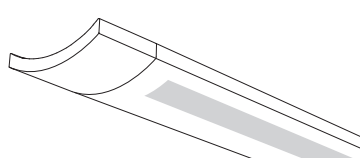
Please indicate with check mark.

<input type="checkbox"/> Lamps Included	<input type="checkbox"/> Lamps Included and Installed
<input type="checkbox"/> Flat Endcap See details on reverse	<input type="checkbox"/> Dust Cover Only available with upper optics option N 
<input type="checkbox"/> Response Daylight (Integrated Controls) For details visit <a href="http://www.ledalite.com/response">www.ledalite.com/response</a>	



# Sona™

Suspended  
Semi-Indirect  
2 T8



## Photometry Optics LN Round Perf Housing

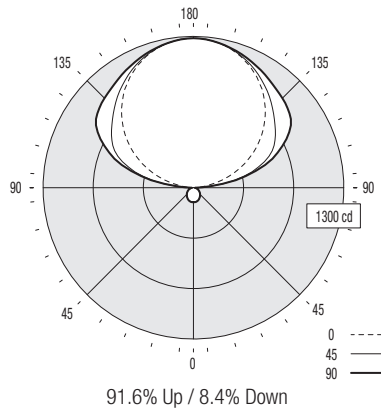
### Report Summary

**Report #** 9900860 **Peak Candela Value\***  
**Filename** 7705T02LN.ies **Peak to Zenith Ratio\*** 1 : 1  
**Efficiency** 83% \* Between 90-180° vertical angle

Meets RP-1-04 recommendations for VDT-Intensive spaces

### Candela Distribution

Vertical Angle	Horizontal Angle					Zonal Lumens
	0	22.5	45	67.5	90	
0	125	125	125	125	125	
5	124	124	124	124	125	11
15	119	120	120	120	121	35
25	111	110	110	109	111	52
35	98	96	96	94	96	60
45	82	80	80	79	81	63
55	64	62	63	63	65	57
65	44	43	46	47	48	44
75	25	26	29	29	31	28
85	8	11	14	15	16	15
90	3	7	14	15	17	
95	57	126	152	129	147	154
105	261	395	523	542	558	487
115	488	551	752	823	848	689
125	694	719	865	986	1029	767
135	878	884	967	1054	1088	751
145	1035	1031	1073	1120	1137	675
155	1154	1150	1167	1185	1193	539
165	1237	1233	1238	1241	1243	350
175	1280	1279	1279	1278	1279	124
180	1285	1285	1285	1285	1285	



### Coefficients of Utilization (%)

Ceiling:	80				70				50				0
	70	50	30	10	70	50	30	10	50	30	10	0	
0 RCR	80	80	80	80	69	69	69	49	49	49	6		
1	73	69	66	64	63	60	58	43	41	40	5		
2	66	60	56	52	57	52	48	37	35	33	4		
3	60	53	47	43	52	46	41	33	30	27	3		
4	55	47	40	36	47	40	35	29	25	23	2		
5	50	41	35	30	43	36	31	25	22	19	2		
6	46	37	30	26	39	32	27	23	19	17	2		
7	42	33	27	22	36	29	23	20	17	14	1		
8	39	29	23	19	34	26	21	18	15	13	1		
9	36	27	21	17	31	23	18	17	13	11	1		
10	34	24	19	15	29	21	16	15	12	10	1		

Based on a floor reflectance of 0.2

### Avg. Luminance (cd/m<sup>2</sup>)

Vertical Angle	Horizontal Angle		
	0	45	90
55	411	364	361
65	384	344	339
75	356	320	313
85	338	314	300

IES files for this and other photometric options can be downloaded online at [www.ledalite.com](http://www.ledalite.com)

## Additional Information

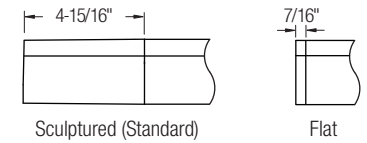
### Modules

Module length excludes endcaps.  
Nominal mount spacing for individually mounted modules.

Module	Mount Spacing
4ft	4' 0"
8ft	8' 0"
12ft*	12' 0"

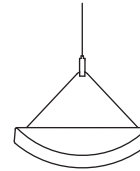
\*12ft not available with Direct/Indirect

### Endcap

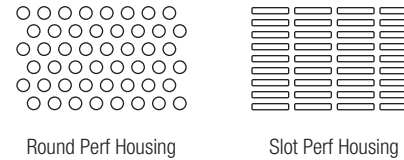


### Sling Mount Detail

Fixture uses 1/16" steel sling-mounted aircraft cable for horizontal leveling.



### Lower Optics



## Specifications

Due to continuing product improvements, Ledalite reserves the right to change specifications without notice.

### Housing

Die-formed 20 gauge cold-rolled steel.

### Weight

3.4 lb/ft.

### Optical System

Direct/Indirect: Constructed of 96% reflective white steel and specular aluminum to produce a direct/indirect distribution. Semi-specular louvers are aluminum and spaced 1-7/16" apart. White baffles are spaced 1-5/16" apart. Standard distribution is 70% up and 30% down. Optional field-installable Variable Optics kits provide additional downlight as required.

Semi-Indirect: Constructed of 96% reflective white steel with perforated housing and acrylic overlay to produce a semi-indirect distribution. Perforated housing available in round or slot perforation patterns.

High performance options use additional highly-specular aluminum reflectors.

### Endcaps

Available with either die-cast sculptured endcaps (standard) or flat die-cast endcaps (option).

### Joints

Self-aligning joining system with hands-free pre-joining wire access.

### Mounting

Fixture uses 1/16" steel sling-mounted aircraft cable for horizontal leveling. Aircraft cable gripper provides continuous vertical adjustment capability. Aircraft cable, crimp and cable gripper are independently tested to meet stringent safety requirements.

### Electrical

Factory pre-wired to section ends with quick-wire connectors.

### Ballast

Electronic.

### Approvals

Certified to UL and CSA standards.

### Finish

High-quality powder coat. Available in Ledalite Standard White (textured matte finish), and a selection of other factory and customer-specified colors. Consult factory for details.