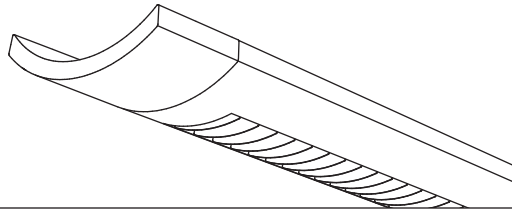


Sona™



Suspended
Direct/Indirect
2 T5



Project Name

Spec Type

Notes


Order Guide

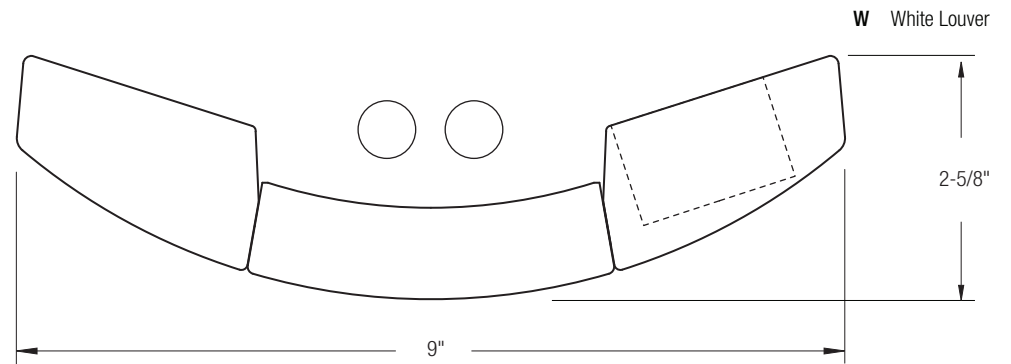
Some combinations of product options may not be available. Consult factory for assistance with your specification.

7706	F02			-		-		-		
Product Series & Type Sona Direct/Indirect	Lamping 2 T5	Lower Optics P Semi-Specular Louver W White Louver	Upper Optics N None D 60% Down Kit G 80% Down Kit J 100% Down Kit	Run Length <i>Enter the total run length in feet (4ft increments)</i>	Wiring 1 1 cct 2 2 cct 3 1 cct w/ Emergency cct 4 2 cct w/ Emergency cct 5 1 cct w/ Battery Pack 6 2 cct w/ Battery Pack 7 1 cct Dimming	Voltage 1 120V 2 277V 3 347V	Ballast E Standard Ballast Consult website for ballast manufacturer information	Color & Finish W Standard White C Factory Color X Custom Color Consult website for color and finish options		
									Mounting Hardware	
									<input type="text"/>	<input type="text"/>
									Mount Type	Suspension Length <i>Enter distance from ceiling to top of fixture in inches</i>
									Consult separate mounting spec sheet for mount type options	

Upgrades & Accessories

Please indicate with check mark.

<input type="checkbox"/> Lamps Included	<input type="checkbox"/> Lamps Included and Installed
<input type="checkbox"/> Flat Endcap See details on reverse	<input type="checkbox"/> Dust Cover Only available with upper optics option N 
<input type="checkbox"/> Response Daylight (Integrated Controls) For details visit www.ledalite.com/response	



Sona™

Suspended
Direct/Indirect
2 T5



Photometry Optics WN White Louver

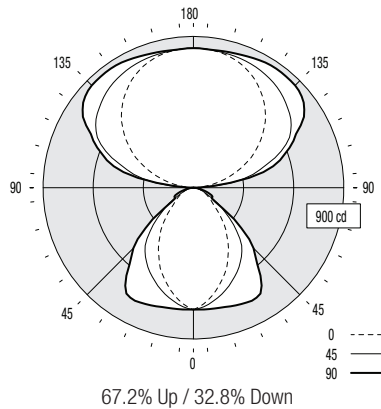
Report Summary

Report # 9900912 **Peak Candela Value*** 865 @ 143°
Filename 7706F02WN.ies **Peak to Zenith Ratio*** 1 : 1
Efficiency 84.1% * Between 90-180° vertical angle

Meets RP-1-04 recommendations for VDT-Intensive spaces

Candela Distribution

Vertical Angle	Horizontal Angle					Zonal Lumens
	0	22.5	45	67.5	90	
0	725	725	725	725	725	
5	695	706	711	723	727	69
15	599	624	656	708	735	187
25	484	516	584	691	754	278
35	349	399	501	647	712	321
45	217	266	367	459	508	279
55	127	144	205	249	215	173
65	77	82	85	98	126	93
75	41	39	37	50	67	49
85	11	9	8	10	12	12
90	0	0	0	0	0	
95	46	108	146	93	116	123
105	193	318	411	457	494	396
115	349	449	612	637	661	544
125	491	558	712	787	810	603
135	610	649	760	840	861	576
145	701	721	794	853	865	494
155	769	776	813	845	851	375
165	812	810	822	834	835	233
175	829	829	829	828	828	81
180	831	831	831	831	831	



Coefficients of Utilization (%)

Ceiling:	80				70				50				0				
	70	50	30	10	70	50	30	10	50	30	10	0	70	50	30	10	0
0 RCR	86	86	86	86	77	77	77	60	60	60	25						
1	79	75	72	70	71	68	65	53	52	50	22						
2	72	66	61	57	64	60	56	47	45	42	19						
3	66	58	53	48	59	53	48	42	39	36	16						
4	60	52	46	41	54	47	42	37	34	31	14						
5	55	46	40	35	50	42	36	34	30	27	13						
6	51	41	35	30	46	38	32	30	26	23	11						
7	47	37	31	27	42	34	28	27	23	20	10						
8	44	34	28	23	39	31	25	25	21	18	9						
9	41	31	25	21	36	28	23	23	19	16	8						
10	38	28	22	19	34	26	21	21	17	14	7						

Based on a floor reflectance of 0.2

Avg. Luminance (cd/m²)

Vertical Angle	Horizontal Angle		
	0	45	90
55	1805	2913	3056
65	1485	1639	2430
75	1291	1165	2110
85	1029	748	1122

IES files for this and other photometric options can be downloaded online at www.ledalite.com

Additional Information

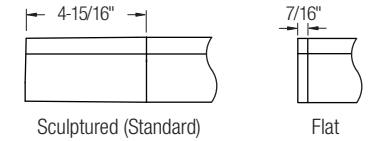
Modules

Module length excludes endcaps.
Nominal mount spacing for individually mounted modules.

Module	Mount Spacing
4ft	4' 0"
8ft	8' 0"
12ft*	12' 0"

*12ft not available with Direct/Indirect

Endcap

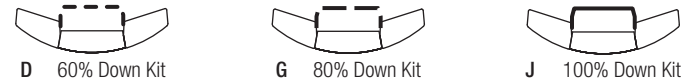


Sling Mount Detail

Fixture uses 1/16" steel sling-mounted aircraft cable for horizontal leveling.



Upper Optics



Specifications

Due to continuing product improvements, Ledalite reserves the right to change specifications without notice.

Housing

Die-formed 20 gauge cold-rolled steel.

Weight

3.4 lb/ft.

Optical System

Direct/Indirect: Constructed of 96% reflective white steel and specular aluminum to produce a direct/indirect distribution. Semi-specular louvers are aluminum and spaced 1-7/16" apart. White baffles are spaced 1-5/16" apart. Standard distribution is 70% up and 30% down. Optional field-installable Variable Optics kits provide additional downlight as required.

Semi-Indirect: Constructed of 96% reflective white steel with perforated housing and acrylic overlay to produce a semi-indirect distribution. Perforated housing available in round or slot perforation patterns.

High performance options use additional highly-specular aluminum reflectors.

Endcaps

Available with either die-cast sculptured endcaps (standard) or flat die-cast endcaps (option).

Joints

Self-aligning joining system with hands-free pre-joining wire access.

Mounting

Fixture uses 1/16" steel sling-mounted aircraft cable for horizontal leveling. Aircraft cable gripper provides continuous vertical adjustment capability. Aircraft cable, crimp and cable gripper are independently tested to meet stringent safety requirements.

Electrical

Factory pre-wired to section ends with quick-wire connectors.

Ballast

Electronic.

Approvals

Certified to UL and CSA standards.

Finish

High-quality powder coat. Available in Ledalite Standard White (textured matte finish), and a selection of other factory and customer-specified colors. Consult factory for details.