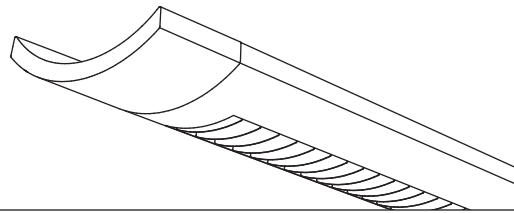


Sona™



Suspended
Direct/Indirect
2 T5



Project Name

Spec Type

Notes


Order Guide

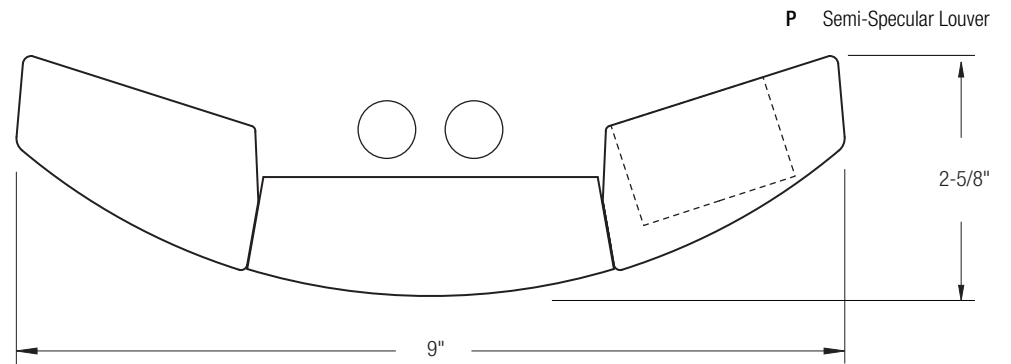
Some combinations of product options may not be available. Consult factory for assistance with your specification.

7706	F02	<input type="text"/>	<input type="text"/>	-	<input type="text"/>	-	<input type="text"/>	-	<input type="text"/>	-	<input type="text"/>
Product Series & Type Sona Direct/Indirect	Lamping 2 T5	Lower Optics P Semi-Specular Louver W White Louver	Upper Optics N None D 60% Down Kit G 80% Down Kit J 100% Down Kit	Run Length <i>Enter the total run length in feet (4ft increments)</i>	Wiring 1 1 cct 2 2 cct 3 1 cct w/ Emergency cct 4 2 cct w/ Emergency cct 5 1 cct w/ Battery Pack 6 2 cct w/ Battery Pack 7 1 cct Dimming	Voltage 1 120V 2 277V 3 347V	Ballast E Standard Ballast Consult website for ballast manufacturer information	Color & Finish W Standard White C Factory Color X Custom Color Consult website for color and finish options			
Mounting Hardware											
<input type="text"/>						<input type="text"/>					
Mount Type Consult separate mounting spec sheet for mount type options						Suspension Length <i>Enter distance from ceiling to top of fixture in inches</i>					

Upgrades & Accessories

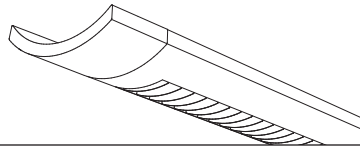
Please indicate with check mark.

<input type="checkbox"/> Lamps Included	<input type="checkbox"/> Lamps Included and Installed
<input type="checkbox"/> Flat Endcap See details on reverse	<input type="checkbox"/> Dust Cover Only available with upper optics option N 
<input type="checkbox"/> Response Daylight (Integrated Controls) For details visit www.ledalite.com/response	



Sona™

Suspended
Direct/Indirect
2 T5



Photometry Optics PN Semi-Specular Louver

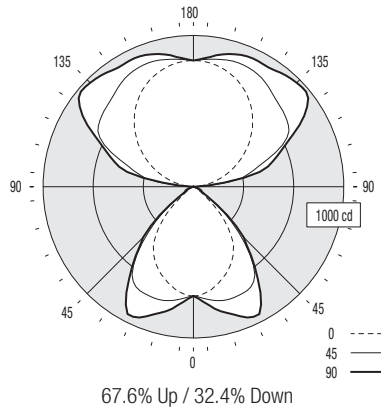
Report Summary

Report # 9900879 **Peak Candela Value*** 978 @ 130°
Filename 7706F02PN.ies **Peak to Zenith Ratio*** 1.2 : 1
Efficiency 87.1% * Between 90-180° vertical angle

Meets RP-1-04 recommendations for VDT-Intensive spaces

Candela Distribution

Vertical Angle	Horizontal Angle					Zonal Lumens
	0	22.5	45	67.5	90	
0	723	723	723	723	723	
5	713	722	741	753	765	73
15	657	702	778	842	864	219
25	577	660	777	901	949	356
35	466	574	712	758	747	406
45	251	351	423	447	472	301
55	53	97	119	135	119	109
65	15	18	17	41	57	28
75	5	5	4	3	2	6
85	2	1	0	0	0	0
90	0	0	0	0	0	0
95	42	106	128	87	99	120
105	159	327	412	479	512	404
115	295	445	653	659	685	557
125	429	542	760	893	923	639
135	556	647	791	927	971	605
145	662	732	838	911	940	515
155	745	793	868	920	936	394
165	801	825	867	899	908	244
175	831	836	844	851	853	82
180	834	834	834	834	834	



Coefficients of Utilization (%)

Ceiling: Wall:	80				70				50				0				
	70	50	30	10	70	50	30	10	50	30	10	0	70	50	30	10	0
0 RCR	89	89	89	89	80	80	80	62	62	62	25						
1	82	78	75	73	73	70	68	56	54	53	23						
2	75	69	65	61	67	63	59	50	47	45	21						
3	69	62	56	51	62	56	51	44	41	39	18						
4	63	55	49	44	57	50	44	40	36	33	16						
5	58	49	43	38	52	45	39	36	32	29	15						
6	54	44	38	33	48	40	35	32	29	26	13						
7	50	40	33	29	45	36	31	30	25	23	12						
8	46	36	30	26	41	33	28	27	23	20	11						
9	43	33	27	23	39	30	25	25	21	18	10						
10	40	30	24	20	36	28	22	23	19	16	9						

Based on a floor reflectance of 0.2

Avg. Luminance (cd/m²)

Vertical Angle	Horizontal Angle		
	0	45	90
55	753	1691	1691
65	289	328	1099
75	157	126	63
85	187	0	0

IES files for this and other photometric options can be downloaded online at www.ledalite.com

Additional Information

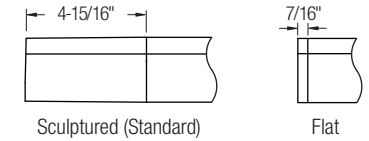
Modules

Module length excludes endcaps.
Nominal mount spacing for individually mounted modules.

Module	Mount Spacing
4ft	4' 0"
8ft	8' 0"
12ft*	12' 0"

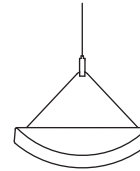
*12ft not available with Direct/Indirect

Endcap

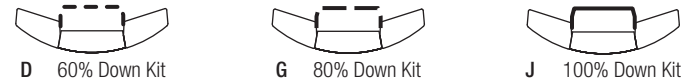


Sling Mount Detail

Fixture uses 1/16" steel sling-mounted aircraft cable for horizontal leveling.



Upper Optics



Specifications

Due to continuing product improvements, Ledalite reserves the right to change specifications without notice.

Housing

Die-formed 20 gauge cold-rolled steel.

Weight

3.4 lb/ft.

Optical System

Direct/Indirect: Constructed of 96% reflective white steel and specular aluminum to produce a direct/indirect distribution. Semi-specular louvers are aluminum and spaced 1-7/16" apart. White baffles are spaced 1-5/16" apart. Standard distribution is 70% up and 30% down. Optional field-installable Variable Optics kits provide additional downlight as required.

Semi-Indirect: Constructed of 96% reflective white steel with perforated housing and acrylic overlay to produce a semi-indirect distribution. Perforated housing available in round or slot perforation patterns.

High performance options use additional highly-specular aluminum reflectors.

Endcaps

Available with either die-cast sculptured endcaps (standard) or flat die-cast endcaps (option).

Joints

Self-aligning joining system with hands-free pre-joining wire access.

Mounting

Fixture uses 1/16" steel sling-mounted aircraft cable for horizontal leveling. Aircraft cable gripper provides continuous vertical adjustment capability. Aircraft cable, crimp and cable gripper are independently tested to meet stringent safety requirements.

Electrical

Factory pre-wired to section ends with quick-wire connectors.

Ballast

Electronic.

Approvals

Certified to UL and CSA standards.

Finish

High-quality powder coat. Available in Ledalite Standard White (textured matte finish), and a selection of other factory and customer-specified colors. Consult factory for details.