

Sona™



Suspended
Direct/Indirect
2 T5



Project Name

Spec Type

Notes


Order Guide

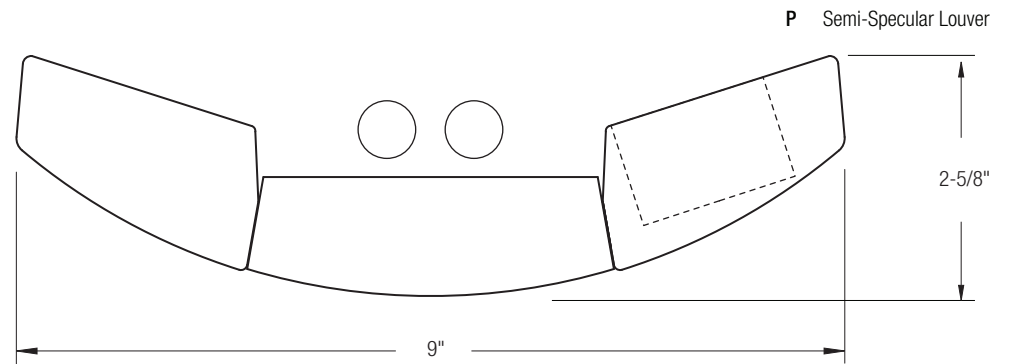
Some combinations of product options may not be available. Consult factory for assistance with your specification.

7706	F02	<input type="text"/>	<input type="text"/>	-	<input type="text"/>	-	<input type="text"/>	-	<input type="text"/>	-	<input type="text"/>
Product Series & Type Sona Direct/Indirect	Lamping 2 T5	Lower Optics P Semi-Specular Louver W White Louver	Upper Optics N None D 60% Down Kit G 80% Down Kit J 100% Down Kit	Run Length <i>Enter the total run length in feet (4ft increments)</i>	Wiring 1 1 cct 2 2 cct 3 1 cct w/ Emergency cct 4 2 cct w/ Emergency cct 5 1 cct w/ Battery Pack 6 2 cct w/ Battery Pack 7 1 cct Dimming	Voltage 1 120V 2 277V 3 347V	Ballast E Standard Ballast Consult website for ballast manufacturer information	Color & Finish W Standard White C Factory Color X Custom Color Consult website for color and finish options			
Mounting Hardware											
<input type="text"/>						<input type="text"/>					
Mount Type Consult separate mounting spec sheet for mount type options						Suspension Length <i>Enter distance from ceiling to top of fixture in inches</i>					

Upgrades & Accessories

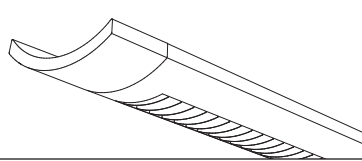
Please indicate with check mark.

<input type="checkbox"/> Lamps Included	<input type="checkbox"/> Lamps Included and Installed
<input type="checkbox"/> Flat Endcap See details on reverse	<input type="checkbox"/> Dust Cover Only available with upper optics option N 
<input type="checkbox"/> Response Daylight (Integrated Controls) For details visit www.ledalite.com/response	



Sona™

Suspended
Direct/Indirect
2 T5



Photometry Optics PG Semi-Specular Louver w/ 80% Down Kit

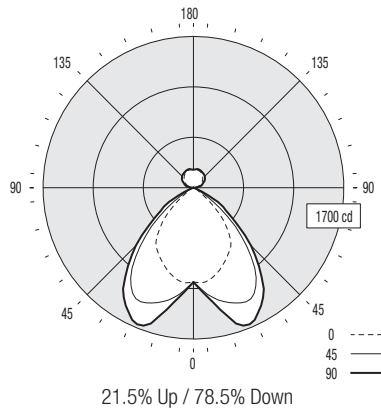
Report Summary

Report # 9900881 **Peak Candela Value*** 215 @ 165°
Filename 7706F02PG.ies **Peak to Zenith Ratio*** 1.1 : 1
Efficiency 60.1% * Between 90-180° vertical angle

Meets RP-1-04 recommendations for VDT-Normal spaces

Candela Distribution

Vertical Angle	Horizontal Angle					Zonal Lumens
	0	22.5	45	67.5	90	
0	1061	1061	1061	1061	1061	
5	1073	1107	1155	1172	1175	113
15	1001	1144	1324	1461	1494	370
25	880	1084	1414	1612	1639	615
35	739	1033	1237	1339	1388	718
45	419	648	761	868	921	562
55	89	162	269	406	449	258
65	24	32	35	90	114	65
75	7	8	6	6	5	9
85	2	1	1	1	0	1
90	0	0	0	0	0	
95	13	22	32	27	25	29
105	51	67	81	91	91	82
115	89	104	122	120	119	112
125	121	133	154	161	158	130
135	149	159	178	185	182	133
145	175	183	198	203	194	120
155	194	199	207	211	206	96
165	204	206	212	214	215	59
175	204	205	206	206	206	19
180	203	203	203	203	203	



Coefficients of Utilization (%)

Ceiling:	80				70				50				0			
	70	50	30	10	70	50	30	10	50	30	10	0	50	30	10	0
0 RCR	68	68	68	68	65	65	65	59	59	59	46					
1	64	61	59	58	61	59	57	54	53	51	42					
2	59	55	52	49	56	53	50	49	47	45	37					
3	55	50	46	43	52	48	44	44	41	39	33					
4	51	45	40	37	48	43	39	40	37	34	29					
5	47	40	36	33	45	39	35	36	33	30	26					
6	43	37	32	29	42	35	31	33	30	27	23					
7	40	33	29	26	39	32	28	30	27	24	21					
8	38	31	26	23	36	30	25	28	24	22	19					
9	35	28	24	21	34	27	23	26	22	20	17					
10	33	26	22	19	32	25	21	24	20	18	15					

Based on a floor reflectance of 0.2

Avg. Luminance (cd/m²)

Vertical Angle	Horizontal Angle		
	0	45	90
55	1265	3823	6381
65	463	675	2199
75	220	189	157
85	187	94	0

IES files for this and other photometric options can be downloaded online at www.ledalite.com

Additional Information

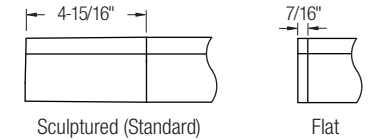
Modules

Module length excludes endcaps.
Nominal mount spacing for individually mounted modules.

Module	Mount Spacing
4ft	4' 0"
8ft	8' 0"
12ft*	12' 0"

*12ft not available with Direct/Indirect

Endcap

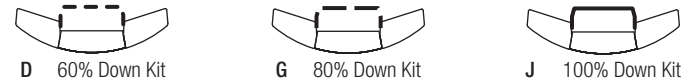


Sling Mount Detail

Fixture uses 1/16" steel sling-mounted aircraft cable for horizontal leveling.



Upper Optics



Specifications

Due to continuing product improvements, Ledalite reserves the right to change specifications without notice.

Housing

Die-formed 20 gauge cold-rolled steel.

Weight

3.4 lb/ft.

Optical System

Direct/Indirect: Constructed of 96% reflective white steel and specular aluminum to produce a direct/indirect distribution. Semi-specular louvers are aluminum and spaced 1-7/16" apart. White baffles are spaced 1-5/16" apart. Standard distribution is 70% up and 30% down. Optional field-installable Variable Optics kits provide additional downlight as required.

Semi-Indirect: Constructed of 96% reflective white steel with perforated housing and acrylic overlay to produce a semi-indirect distribution. Perforated housing available in round or slot perforation patterns.

High performance options use additional highly-specular aluminum reflectors.

Endcaps

Available with either die-cast sculptured endcaps (standard) or flat die-cast endcaps (option).

Joints

Self-aligning joining system with hands-free pre-joining wire access.

Mounting

Fixture uses 1/16" steel sling-mounted aircraft cable for horizontal leveling. Aircraft cable gripper provides continuous vertical adjustment capability. Aircraft cable, crimp and cable gripper are independently tested to meet stringent safety requirements.

Electrical

Factory pre-wired to section ends with quick-wire connectors.

Ballast

Electronic.

Approvals

Certified to UL and CSA standards.

Finish

High-quality powder coat. Available in Ledalite Standard White (textured matte finish), and a selection of other factory and customer-specified colors. Consult factory for details.