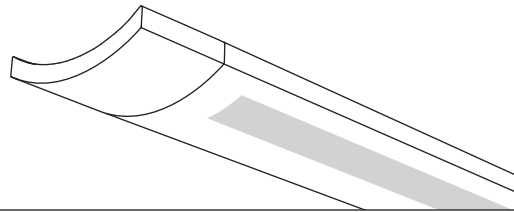


Sona™



Suspended
Semi-Indirect
2 T5



Project Name

Spec Type

Notes


Order Guide

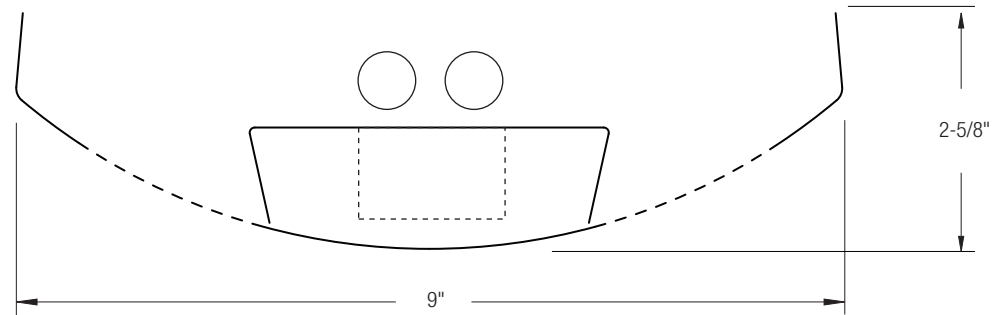
Some combinations of product options may not be available. Consult factory for assistance with your specification.

7705	F02	<input type="text"/>	<input type="text"/>	-	<input type="text"/>	-	<input type="text"/>	-	<input type="text"/>	<input type="text"/>
Product Series & Type Sona Semi-Indirect	Lamping 2 T5	Lower Optics L Round Perf Housing I Slot Perf Housing See details on reverse	Upper Optics N None See details on reverse	Run Length <i>Enter the total run length in feet (4ft increments)</i> See details on reverse	Wiring 1 1 cct 2 2 cct 3 1 cct w/ Emergency cct 4 2 cct w/ Emergency cct 5 1 cct w/ Battery Pack 6 2 cct w/ Battery Pack 7 1 cct Dimming Consult website for complete list of standard wiring options	Voltage 1 120V 2 277V 3 347V	Ballast E Standard Ballast Consult website for ballast manufacturer information	Color & Finish W Standard White C Factory Color X Custom Color Consult website for color and finish options	<h3>Mounting Hardware</h3> <input type="text"/> <input type="text"/> <p>Mount Type <input type="text"/></p> <p>Suspension Length <input type="text"/></p> <p><i>Enter distance from ceiling to top of fixture in inches</i></p> <p>Consult separate mounting spec sheet for mount type options</p>	

Upgrades & Accessories

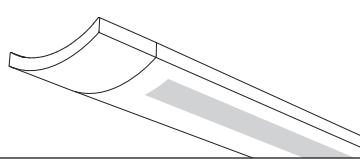
Please indicate with check mark.

<input type="checkbox"/> Lamps Included	<input type="checkbox"/> Lamps Included and Installed
<input type="checkbox"/> Flat Endcap See details on reverse	<input type="checkbox"/> Dust Cover Only available with upper optics option N 
<input type="checkbox"/> Response Daylight (Integrated Controls) For details visit www.ledalite.com/response	



Sona™

Suspended
Semi-Indirect
2 T5



Photometry Optics IN Slot Perf Housing

Report Summary

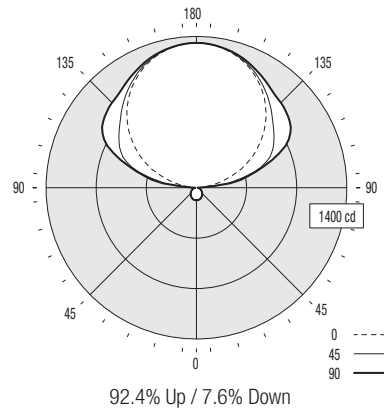
Report # 9900893
Filename 7705F02IN.ies
Efficiency 86.8%

Peak Candela Value* 1340 @ 178°
Peak to Zenith Ratio* 1 : 1
* Between 90-180° vertical angle

Meets RP-1-04 recommendations for VDT-Intensive spaces

Candela Distribution

Vertical Angle	Horizontal Angle					Zonal Lumens
	0	22.5	45	67.5	90	
0	115	115	115	115	115	
5	115	115	115	115	115	11
15	110	110	111	111	112	32
25	102	101	102	102	103	48
35	90	88	90	88	90	56
45	75	74	74	73	76	56
55	59	57	59	59	61	53
65	41	40	43	43	45	42
75	23	24	27	28	29	28
85	7	10	13	14	15	14
90	4	7	13	15	15	
95	61	130	175	123	134	163
105	267	400	551	542	573	505
115	506	561	774	882	915	718
125	719	736	880	1013	1061	787
135	916	917	990	1072	1112	771
145	1076	1075	1110	1146	1164	697
155	1203	1199	1217	1229	1238	561
165	1289	1288	1294	1296	1301	366
175	1334	1334	1336	1335	1335	130
180	1340	1340	1340	1340	1340	



Coefficients of Utilization (%)

Ceiling:	Horizontal Angle										
	80			70			50			0	
Wall:	70	50	30	10	70	50	30	50	30	10	0
0 RCR	84	84	84	84	72	72	72	51	51	51	5
1	76	72	69	66	65	63	60	44	43	41	4
2	69	63	58	54	59	54	50	39	36	34	3
3	63	55	49	45	54	48	43	34	31	28	3
4	57	49	42	37	49	42	37	30	26	24	2
5	52	43	36	32	45	37	32	26	23	20	2
6	48	38	32	27	41	33	28	24	20	17	2
7	44	34	28	23	38	30	24	21	18	15	1
8	41	31	24	20	35	27	21	19	16	13	1
9	38	28	22	18	32	24	19	17	14	11	1
10	35	25	19	16	30	22	17	16	12	10	1

Based on a floor reflectance of 0.2

Avg. Luminance (cd/m²)

Vertical Angle	Horizontal Angle		
	0	45	90
55	379	341	339
65	357	322	318
75	327	298	293
85	296	291	282

IES files for this and other photometric options can be downloaded online at www.ledalite.com

Additional Information

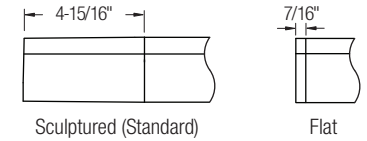
Modules

Module length excludes endcaps.
Nominal mount spacing for individually mounted modules.

Module	Mount Spacing
4ft	4' 0"
8ft	8' 0"
12ft*	12' 0"

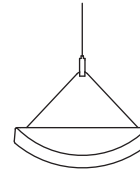
*12ft not available with Direct/Indirect

Endcap

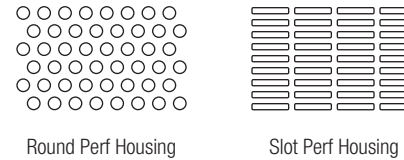


Sling Mount Detail

Fixture uses 1/16" steel sling-mounted aircraft cable for horizontal leveling.



Lower Optics



Specifications

Due to continuing product improvements, Ledalite reserves the right to change specifications without notice.

Housing

Die-formed 20 gauge cold-rolled steel.

Weight

3.4 lb/ft.

Optical System

Direct/Indirect: Constructed of 96% reflective white steel and specular aluminum to produce a direct/indirect distribution. Semi-specular louvers are aluminum and spaced 1-7/16" apart. White baffles are spaced 1-5/16" apart. Standard distribution is 70% up and 30% down. Optional field-installable Variable Optics kits provide additional downlight as required.

Semi-Indirect: Constructed of 96% reflective white steel with perforated housing and acrylic overlay to produce a semi-indirect distribution. Perforated housing available in round or slot perforation patterns.

High performance options use additional highly-specular aluminum reflectors.

Endcaps

Available with either die-cast sculptured endcaps (standard) or flat die-cast endcaps (option).

Joints

Self-aligning joining system with hands-free pre-joining wire access.

Mounting

Fixture uses 1/16" steel sling-mounted aircraft cable for horizontal leveling. Aircraft cable gripper provides continuous vertical adjustment capability. Aircraft cable, crimp and cable gripper are independently tested to meet stringent safety requirements.

Electrical

Factory pre-wired to section ends with quick-wire connectors.

Ballast

Electronic.

Approvals

Certified to UL and CSA standards.

Finish

High-quality powder coat. Available in Ledalite Standard White (textured matte finish), and a selection of other factory and customer-specified colors. Consult factory for details.