

Sona™



Suspended
Direct/Indirect
2 T5HO



Project Name

Spec Type

Notes

Order Guide

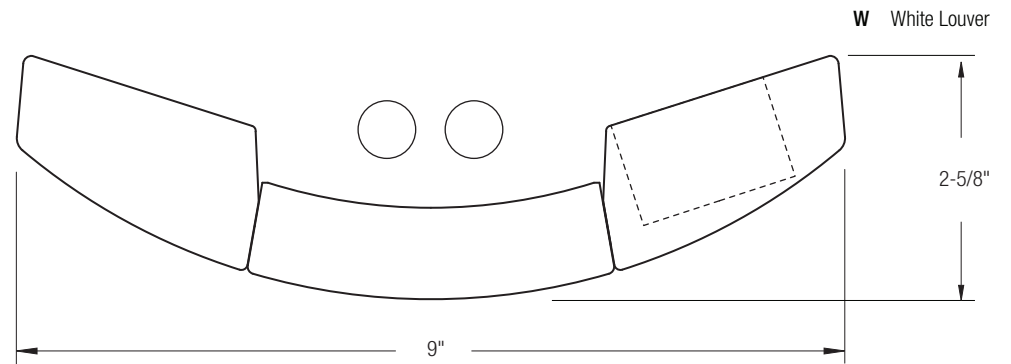
Some combinations of product options may not be available. Consult factory for assistance with your specification.

7706	H02	<input type="text"/>	<input type="text"/>	-	<input type="text"/>	-	<input type="text"/>	-	<input type="text"/>	<input type="text"/>	<input type="text"/>
Product Series & Type Sona Direct/Indirect	Lamping 2 T5HO	Lower Optics P Semi-Specular Louver W White Louver	Upper Optics N None D 60% Down Kit G 80% Down Kit J 100% Down Kit	Run Length <i>Enter the total run length in feet (4ft increments)</i>	Wiring 1 1 cct 2 2 cct 3 1 cct w/ Emergency cct 4 2 cct w/ Emergency cct 5 1 cct w/ Battery Pack 6 2 cct w/ Battery Pack 7 1 cct Dimming	Voltage 1 120V 2 277V 3 347V	Ballast E Standard Ballast Consult website for ballast manufacturer information	Color & Finish W Standard White C Factory Color X Custom Color Consult website for color and finish options			
Mounting Hardware											
<input type="text"/>						<input type="text"/>					
Mount Type Consult separate mounting spec sheet for mount type options						Suspension Length <i>Enter distance from ceiling to top of fixture in inches</i>					

Upgrades & Accessories

Please indicate with check mark.

<input type="checkbox"/> Lamps Included	<input checked="" type="checkbox"/> Lamps Included and Installed
<input type="checkbox"/> Flat Endcap See details on reverse	
<input type="checkbox"/> Response Daylight (Integrated Controls) For details visit www.ledalite.com/response	



Sona™

Suspended
Direct/Indirect
2 T5HO



Photometry Optics WN White Louver

Report Summary

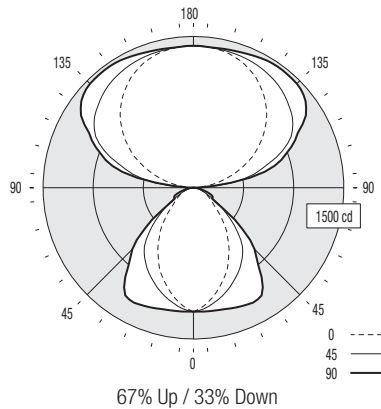
Report # 9900912
Filename 7706H02WN.ies
Efficiency 89%

Peak Candela Value* 1465 @ 143°
Peak to Zenith Ratio* 1 : 1
* Between 90-180° vertical angle

Meets RP-1-04 recommendations for VDT-Normal spaces

Candela Distribution

Vertical Angle	Horizontal Angle					Zonal Lumens
	0	22.5	45	67.5	90	
0	1229	1229	1229	1229	1229	
5	1177	1197	1205	1225	1233	117
15	1015	1058	1112	1200	1245	318
25	821	875	990	1171	1277	470
35	591	676	849	1096	1206	544
45	368	450	622	777	861	472
55	215	245	348	423	364	294
65	131	140	144	166	214	157
75	69	67	63	85	113	82
85	18	15	14	17	20	20
90	0	0	0	0	0	0
95	78	184	247	158	197	211
105	326	539	696	774	837	673
115	591	761	1037	1080	1121	921
125	832	945	1206	1334	1373	1024
135	1034	1099	1289	1424	1459	976
145	1188	1222	1345	1446	1465	837
155	1304	1315	1378	1433	1442	635
165	1375	1374	1394	1413	1415	396
175	1405	1405	1405	1404	1404	137
180	1408	1408	1408	1408	1408	



Coefficients of Utilization (%)

Ceiling:	80				70				50				0
	70	50	30	10	70	50	30	10	50	30	10	0	
0 RCR	91	91	91	91	81	81	81	64	64	64	26		
1	83	80	77	74	75	72	69	57	55	53	23		
2	76	70	65	61	68	63	59	50	47	45	20		
3	70	62	56	51	62	56	51	44	41	38	17		
4	64	55	48	43	57	50	44	40	36	33	15		
5	59	49	42	37	52	44	38	35	31	28	13		
6	54	44	37	32	48	40	34	32	28	25	12		
7	50	40	33	28	45	36	30	29	25	22	11		
8	46	36	29	25	41	33	27	26	22	19	9		
9	43	33	26	22	39	30	24	24	20	17	9		
10	40	30	24	20	36	27	22	22	18	15	8		

Based on a floor reflectance of 0.2

Avg. Luminance (cd/m²)

Vertical Angle	Horizontal Angle		
	0	45	90
55	3056	4946	5173
65	2527	2777	4128
75	2173	1984	3559
85	1684	1309	1871

IES files for this and other photometric options can be downloaded online at www.ledalite.com

Additional Information

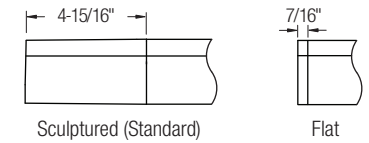
Modules

Module length excludes endcaps.
Nominal mount spacing for individually mounted modules.

Module	Mount Spacing
4ft	4' 0"
8ft	8' 0"
12ft*	12' 0"

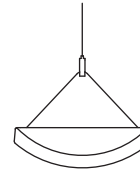
*12ft not available with Direct/Indirect

Endcap

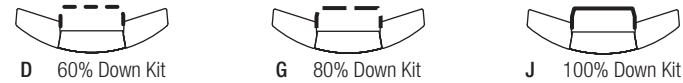


Sling Mount Detail

Fixture uses 1/16" steel sling-mounted aircraft cable for horizontal leveling.



Upper Optics



Specifications

Due to continuing product improvements, Ledalite reserves the right to change specifications without notice.

Housing

Die-formed 20 gauge cold-rolled steel.

Weight

3.4 lb/ft.

Optical System

Direct/Indirect: Constructed of 96% reflective white steel and specular aluminum to produce a direct/indirect distribution. Semi-specular louvers are aluminum and spaced 1-7/16" apart. White baffles are spaced 1-5/16" apart. Standard distribution is 70% up and 30% down. Optional field-installable Variable Optics kits provide additional downlight as required.

Semi-Indirect: Constructed of 96% reflective white steel with perforated housing and acrylic overlay to produce a semi-indirect distribution. Perforated housing available in round or slot perforation patterns.

High performance options use additional highly-specular aluminum reflectors.

Endcaps

Available with either die-cast sculptured endcaps (standard) or flat die-cast endcaps (option).

Joints

Self-aligning joining system with hands-free pre-joining wire access.

Mounting

Fixture uses 1/16" steel sling-mounted aircraft cable for horizontal leveling. Aircraft cable gripper provides continuous vertical adjustment capability. Aircraft cable, crimp and cable gripper are independently tested to meet stringent safety requirements.

Electrical

Factory pre-wired to section ends with quick-wire connectors.

Ballast

Electronic.

Approvals

Certified to UL and CSA standards.

Finish

High-quality powder coat. Available in Ledalite Standard White (textured matte finish), and a selection of other factory and customer-specified colors. Consult factory for details.