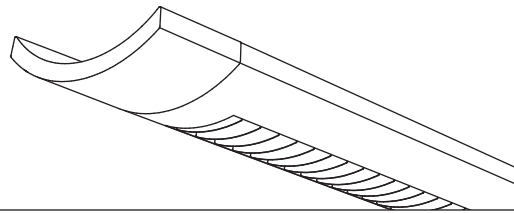


# Sona™



Suspended  
Direct/Indirect  
2 T5HO



Project Name

Spec Type

Notes

## Order Guide

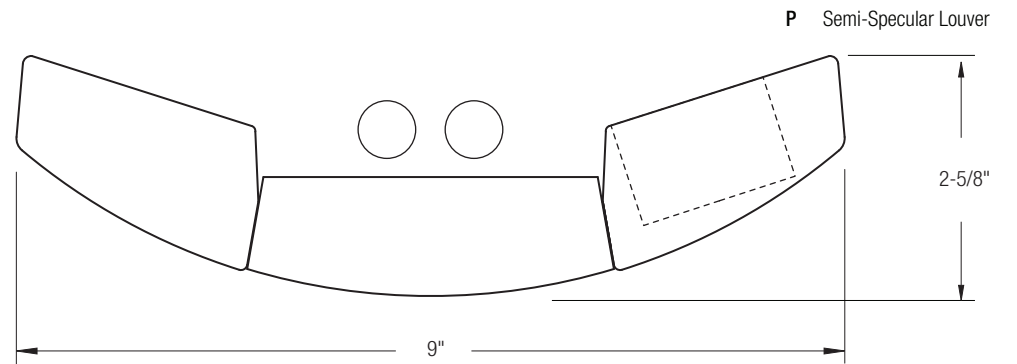
Some combinations of product options may not be available. Consult factory for assistance with your specification.

<b>7706</b>	<b>H02</b>	<input type="text"/>	<input type="text"/>	-	<input type="text"/>	-	<input type="text"/>	-	<input type="text"/>	-	<input type="text"/>
Product Series & Type Sona Direct/Indirect	Lamping 2 T5HO	Lower Optics <b>P</b> Semi-Specular Louver <b>W</b> White Louver	Upper Optics <b>N</b> None <b>D</b> 60% Down Kit <b>G</b> 80% Down Kit <b>J</b> 100% Down Kit	Run Length <i>Enter the total run length in feet (4ft increments)</i>	Wiring <b>1</b> 1 cct <b>2</b> 2 cct <b>3</b> 1 cct w/ Emergency cct <b>4</b> 2 cct w/ Emergency cct <b>5</b> 1 cct w/ Battery Pack <b>6</b> 2 cct w/ Battery Pack <b>7</b> 1 cct Dimming	Voltage <b>1</b> 120V <b>2</b> 277V <b>3</b> 347V	Ballast <b>E</b> Standard Ballast  Consult website for ballast manufacturer information	Color & Finish <b>W</b> Standard White <b>C</b> Factory Color <b>X</b> Custom Color  Consult website for color and finish options			
<b>Mounting Hardware</b>											
						<input type="text"/>		<input type="text"/>			
						Mount Type Consult separate mounting spec sheet for mount type options			Suspension Length <i>Enter distance from ceiling to top of fixture in inches</i>		
		See details on reverse		See details on reverse		See details on reverse		Consult website for complete list of standard wiring options		Consult separate mounting spec sheet for mount type options	

## Upgrades & Accessories

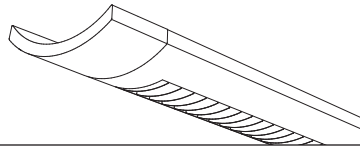
Please indicate with check mark.

<input type="checkbox"/> Lamps Included	<input checked="" type="checkbox"/> Lamps Included and Installed
<input type="checkbox"/> Flat Endcap See details on reverse	
<input type="checkbox"/> Response Daylight (Integrated Controls) For details visit <a href="http://www.ledalite.com/response">www.ledalite.com/response</a>	



**Sona™**

Suspended  
Direct/Indirect  
2 T5HO



**Photometry** Optics PN Semi-Specular Louver

**Report Summary**

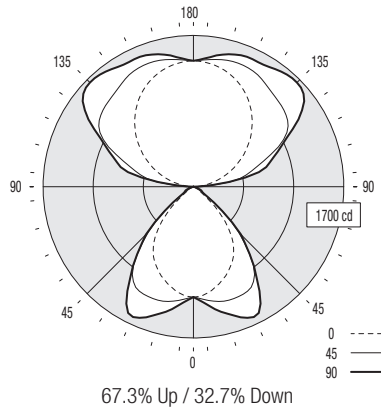
**Report #** 9900864  
**Filename** 7706H02PN.ies  
**Efficiency** 91.6%

**Peak Candela Value\*** 1655 @ 135°  
**Peak to Zenith Ratio\*** 1.2 : 1  
\* Between 90-180° vertical angle

Meets RP-1-04 recommendations for VDT-Intensive spaces

**Candela Distribution**

Vertical Angle	Horizontal Angle					Zonal Lumens
	0	22.5	45	67.5	90	
0	1241	1241	1241	1241	1241	
5	1226	1239	1270	1292	1306	124
15	1129	1202	1332	1435	1477	374
25	989	1128	1333	1529	1616	607
35	788	977	1205	1248	1244	686
45	422	595	721	731	760	499
55	89	160	196	197	177	173
65	24	31	30	70	97	48
75	10	9	7	6	5	9
85	3	1	1	1	1	2
90	0	0	0	0	0	
95	74	188	239	187	212	224
105	278	540	680	793	852	671
115	508	769	1060	1069	1104	917
125	727	925	1300	1462	1499	1068
135	934	1099	1358	1581	1655	1029
145	1114	1241	1415	1555	1613	874
155	1258	1343	1472	1552	1582	668
165	1356	1396	1471	1522	1542	413
175	1407	1418	1431	1444	1447	139
180	1416	1416	1416	1416	1416	



**Coefficients of Utilization (%)**

Ceiling: Wall:	80				70				50				0			
	70	50	30	10	70	50	30	10	50	30	10	0	50	30	10	0
0 RCR	93	93	93	93	84	84	84	66	66	66	27					
1	86	82	79	77	77	74	72	59	57	55	24					
2	79	73	68	64	71	66	62	52	50	47	22					
3	72	65	59	54	65	59	54	47	43	41	19					
4	67	58	51	46	60	52	47	42	38	35	17					
5	61	52	45	40	55	47	41	38	34	31	15					
6	57	46	40	35	51	42	36	34	30	27	14					
7	52	42	35	31	47	38	32	31	27	24	12					
8	49	38	32	27	44	35	29	28	24	21	11					
9	45	35	28	24	41	32	26	26	22	19	10					
10	42	32	26	22	38	29	24	24	20	17	9					

Based on a floor reflectance of 0.2

**Avg. Luminance (cd/m²)**

Vertical Angle	Horizontal Angle		
	0	45	90
55	1265	2785	2515
65	463	579	1871
75	315	220	157
85	281	94	94

IES files for this and other photometric options can be downloaded online at [www.ledalite.com](http://www.ledalite.com)

**Additional Information**

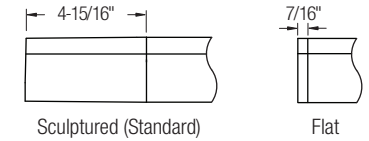
**Modules**

Module length excludes endcaps.  
Nominal mount spacing for individually mounted modules.

Module	Mount Spacing
4ft	4' 0"
8ft	8' 0"
12ft*	12' 0"

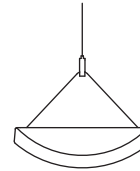
\*12ft not available with Direct/Indirect

**Endcap**

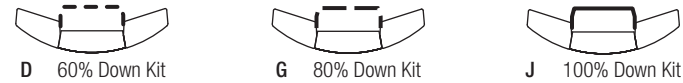


**Sling Mount Detail**

Fixture uses 1/16" steel sling-mounted aircraft cable for horizontal leveling.



**Upper Optics**



**Specifications**

Due to continuing product improvements, Ledalite reserves the right to change specifications without notice.

**Housing**

Die-formed 20 gauge cold-rolled steel.

**Weight**

3.4 lb/ft.

**Optical System**

Direct/Indirect: Constructed of 96% reflective white steel and specular aluminum to produce a direct/indirect distribution. Semi-specular louvers are aluminum and spaced 1-7/16" apart. White baffles are spaced 1-5/16" apart. Standard distribution is 70% up and 30% down. Optional field-installable Variable Optics kits provide additional downlight as required.

Semi-Indirect: Constructed of 96% reflective white steel with perforated housing and acrylic overlay to produce a semi-indirect distribution. Perforated housing available in round or slot perforation patterns.

High performance options use additional highly-specular aluminum reflectors.

**Endcaps**

Available with either die-cast sculptured endcaps (standard) or flat die-cast endcaps (option).

**Joints**

Self-aligning joining system with hands-free pre-joining wire access.

**Mounting**

Fixture uses 1/16" steel sling-mounted aircraft cable for horizontal leveling. Aircraft cable gripper provides continuous vertical adjustment capability. Aircraft cable, crimp and cable gripper are independently tested to meet stringent safety requirements.

**Electrical**

Factory pre-wired to section ends with quick-wire connectors.

**Ballast**

Electronic.

**Approvals**

Certified to UL and CSA standards.

**Finish**

High-quality powder coat. Available in Ledalite Standard White (textured matte finish), and a selection of other factory and customer-specified colors. Consult factory for details.