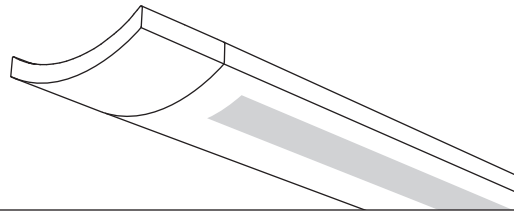


Sona™



Suspended
Semi-Indirect
2 T5HO



Project Name

Spec Type

Notes

Order Guide

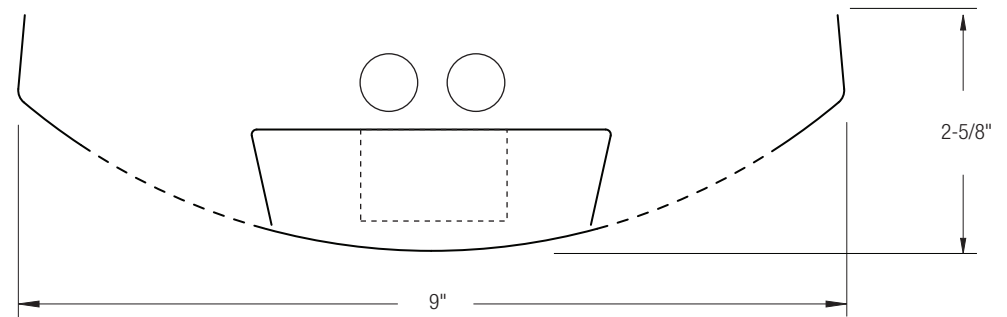
Some combinations of product options may not be available. Consult factory for assistance with your specification.

7705	H02	<input type="text"/>	<input type="text"/>	-	<input type="text"/>	-	<input type="text"/>	-	<input type="text"/>	-	<input type="text"/>
Product Series & Type Sona Semi-Indirect	Lamping 2 T5HO	Lower Optics L Round Perf Housing I Slot Perf Housing See details on reverse	Upper Optics N None See details on reverse	Run Length <i>Enter the total run length in feet (4ft increments)</i> See details on reverse	Wiring 1 1 cct 2 2 cct 3 1 cct w/ Emergency cct 4 2 cct w/ Emergency cct 5 1 cct w/ Battery Pack 6 2 cct w/ Battery Pack 7 1 cct Dimming Consult website for complete list of standard wiring options	Voltage 1 120V 2 277V 3 347V	Ballast E Standard Ballast Consult website for ballast manufacturer information	Color & Finish W Standard White C Factory Color X Custom Color Consult website for color and finish options			
									Mounting Hardware		
									<input type="text"/>		<input type="text"/>
									Mount Type Consult separate mounting spec sheet for mount type options		Suspension Length <i>Enter distance from ceiling to top of fixture in inches</i>

Upgrades & Accessories

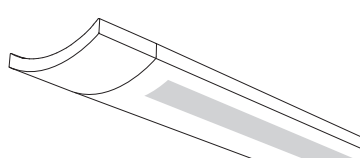
Please indicate with check mark.

<input type="checkbox"/> Lamps Included	<input checked="" type="checkbox"/> Lamps Included and Installed
<input type="checkbox"/> Flat Endcap See details on reverse	
<input type="checkbox"/> Response Daylight (Integrated Controls) For details visit www.ledalite.com/response	



Sona™

Suspended
Semi-Indirect
2 T5HO



Photometry Optics LN Round Perf Housing

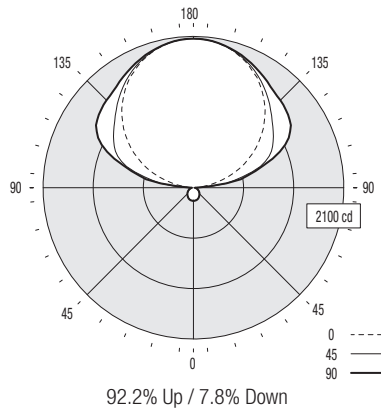
Report Summary

Report # 9900858 **Peak Candela Value***
Filename 7705H02LN.ies **Peak to Zenith Ratio*** 1 : 1
Efficiency 83.8% * Between 90-180° vertical angle

Meets RP-1-04 recommendations for VDT-Intensive spaces

Candela Distribution

Vertical Angle	Horizontal Angle					Zonal Lumens
	0	22.5	45	67.5	90	
0	181	181	181	181	181	
5	180	180	180	180	180	16
15	173	173	174	175	176	48
25	160	160	161	160	162	75
35	142	140	141	139	141	87
45	118	117	117	116	119	91
55	93	90	92	93	96	83
65	65	64	67	69	71	67
75	37	38	43	45	46	44
85	12	16	22	23	25	22
90	5	11	18	20	23	
95	94	208	280	203	220	255
105	411	629	848	854	898	787
115	787	869	1203	1368	1415	1115
125	1116	1140	1360	1567	1640	1218
135	1413	1413	1524	1658	1717	1191
145	1662	1655	1712	1775	1799	1075
155	1854	1852	1876	1896	1909	866
165	1992	1989	1997	1999	2001	564
175	2060	2061	2062	2062	2062	199
180	2070	2070	2070	2070	2070	



Coefficients of Utilization (%)

Ceiling:	80				70				50				0
	70	50	30	10	70	50	30	10	50	30	10	0	
0 RCR	81	81	81	81	70	70	70	49	49	49	5		
1	73	70	67	64	63	61	58	43	41	40	4		
2	67	61	56	52	57	53	49	37	35	33	3		
3	61	53	48	43	52	46	42	33	30	27	3		
4	55	47	41	36	48	41	36	29	26	23	2		
5	51	42	35	31	43	36	31	26	22	20	2		
6	46	37	31	26	40	32	27	23	19	17	2		
7	43	33	27	23	37	29	23	20	17	14	1		
8	39	30	24	20	34	26	21	18	15	13	1		
9	36	27	21	17	31	23	18	17	13	11	1		
10	34	24	19	15	29	21	16	15	12	10	1		

Based on a floor reflectance of 0.2

Avg. Luminance (cd/m²)

Vertical Angle	Horizontal Angle		
	0	45	90
55	597	532	533
65	567	501	501
75	527	475	465
85	507	493	469

IES files for this and other photometric options can be downloaded online at www.ledalite.com

Additional Information

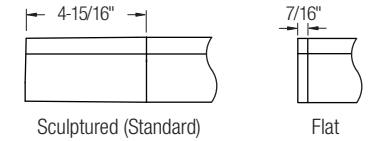
Modules

Module length excludes endcaps.
Nominal mount spacing for individually mounted modules.

Module	Mount Spacing
4ft	4' 0"
8ft	8' 0"
12ft*	12' 0"

*12ft not available with Direct/Indirect

Endcap

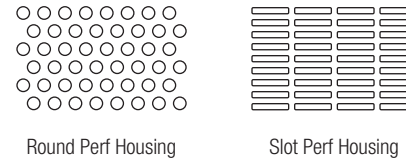


Sling Mount Detail

Fixture uses 1/16" steel sling-mounted aircraft cable for horizontal leveling.



Lower Optics



Specifications

Due to continuing product improvements, Ledalite reserves the right to change specifications without notice.

Housing

Die-formed 20 gauge cold-rolled steel.

Weight

3.4 lb/ft.

Optical System

Direct/Indirect: Constructed of 96% reflective white steel and specular aluminum to produce a direct/indirect distribution. Semi-specular louvers are aluminum and spaced 1-7/16" apart. White baffles are spaced 1-5/16" apart. Standard distribution is 70% up and 30% down. Optional field-installable Variable Optics kits provide additional downlight as required.

Semi-Indirect: Constructed of 96% reflective white steel with perforated housing and acrylic overlay to produce a semi-indirect distribution. Perforated housing available in round or slot perforation patterns.

High performance options use additional highly-specular aluminum reflectors.

Endcaps

Available with either die-cast sculptured endcaps (standard) or flat die-cast endcaps (option).

Joints

Self-aligning joining system with hands-free pre-joining wire access.

Mounting

Fixture uses 1/16" steel sling-mounted aircraft cable for horizontal leveling. Aircraft cable gripper provides continuous vertical adjustment capability. Aircraft cable, crimp and cable gripper are independently tested to meet stringent safety requirements.

Electrical

Factory pre-wired to section ends with quick-wire connectors.

Ballast

Electronic.

Approvals

Certified to UL and CSA standards.

Finish

High-quality powder coat. Available in Ledalite Standard White (textured matte finish), and a selection of other factory and customer-specified colors. Consult factory for details.