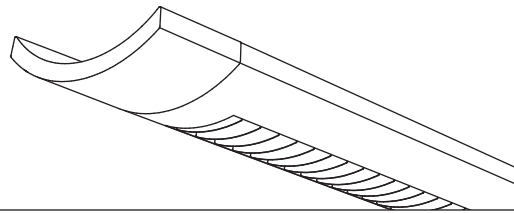


# Sona™



Suspended  
Direct/Indirect  
1 T5HO



Project Name

Spec Type

Notes

## Order Guide

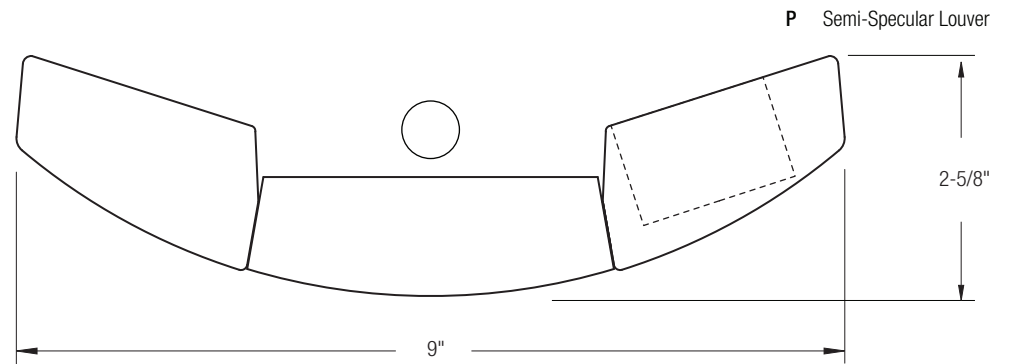
Some combinations of product options may not be available. Consult factory for assistance with your specification.

<b>7706</b>	<b>H01</b>			-		-		-		
<b>Product Series &amp; Type</b> Sona Direct/Indirect	<b>Lamping</b> 1 T5HO	<b>Lower Optics</b> <b>P</b> Semi-Specular Louver <b>W</b> White Louver	<b>Upper Optics</b> <b>N</b> None <b>D</b> 60% Down Kit <b>G</b> 80% Down Kit <b>J</b> 100% Down Kit	<b>Run Length</b> <i>Enter the total run length in feet (4ft increments)</i>	<b>Wiring</b> <b>1</b> 1 cct <b>3</b> 1 cct w/ Emergency cct <b>5</b> 1 cct w/ Battery Pack <b>7</b> 1 cct Dimming	<b>Voltage</b> <b>1</b> 120V <b>2</b> 277V <b>3</b> 347V	<b>Ballast</b> <b>E</b> Standard Ballast  Consult website for ballast manufacturer information	<b>Color &amp; Finish</b> <b>W</b> Standard White <b>C</b> Factory Color <b>X</b> Custom Color  Consult website for color and finish options		
									<b>Mounting Hardware</b>	
									<input type="text"/>	<input type="text"/>
									<b>Mount Type</b> Consult separate mounting spec sheet for mount type options	<b>Suspension Length</b> <i>Enter distance from ceiling to top of fixture in inches</i>
		See details on reverse	See details on reverse	See details on reverse	Consult website for complete list of standard wiring options					

## Upgrades & Accessories

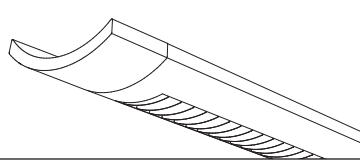
Please indicate with check mark.

<input type="checkbox"/> Lamps Included	<input checked="" type="checkbox"/> Lamps Included and Installed
<input type="checkbox"/> Flat Endcap See details on reverse	
<input type="checkbox"/> Response Daylight (Integrated Controls) For details visit <a href="http://www.ledalite.com/response">www.ledalite.com/response</a>	



# Sona™

Suspended  
Direct/Indirect  
1 T5HO



## Photometry Optics PN Semi-Specular Louver

### Report Summary

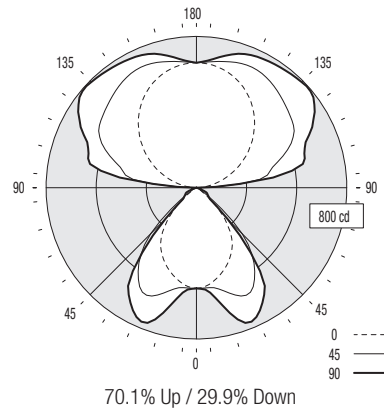
Report # 9900849  
Filename 7706H01PN.ies  
Efficiency 91%

Peak Candela Value\* 795 @ 133°  
Peak to Zenith Ratio\* 1.2 : 1  
\* Between 90-180° vertical angle

Meets RP-1-04 recommendations for VDT-Intensive spaces

### Candela Distribution

Vertical Angle	Horizontal Angle					Zonal Lumens
	0	22.5	45	67.5	90	
0	533	533	533	533	533	
5	524	527	532	537	541	52
15	479	498	565	640	686	164
25	416	477	628	732	755	277
35	327	435	541	608	634	317
45	179	255	344	291	233	208
55	36	69	70	60	78	64
65	11	14	13	39	58	24
75	4	4	2	2	2	4
85	2	0	0	0	0	0
90	0	0	0	0	0	0
95	34	140	237	206	230	192
105	127	284	420	545	597	424
115	234	364	556	627	662	494
125	338	444	621	734	766	525
135	434	525	652	759	791	493
145	520	588	685	756	777	419
155	588	629	703	752	765	319
165	635	652	689	722	730	195
175	658	661	668	675	675	65
180	661	661	661	661	661	



### Coefficients of Utilization (%)

Ceiling:	80				70				50				0
	70	50	30	10	70	50	30	10	50	30	10	0	
0 RCR	92	92	92	92	82	82	82	64	64	64	23		
1	85	81	78	75	76	73	70	57	55	54	21		
2	78	72	67	63	69	64	60	51	48	45	19		
3	71	64	58	53	64	57	52	45	42	39	17		
4	66	57	50	45	58	51	46	41	37	34	15		
5	60	51	44	39	54	46	40	36	32	29	14		
6	56	46	39	34	50	41	35	33	29	26	12		
7	51	41	34	30	46	37	32	30	26	23	11		
8	48	37	31	26	43	34	28	27	23	20	10		
9	44	34	28	23	40	31	25	25	21	18	9		
10	41	31	25	21	37	28	23	23	19	16	8		

Based on a floor reflectance of 0.2

### Avg. Luminance (cd/m<sup>2</sup>)

Vertical Angle	Horizontal Angle		
	0	45	90
55	512	995	1109
65	212	251	1119
75	126	63	63
85	187	0	0

IES files for this and other photometric options can be downloaded online at [www.ledalite.com](http://www.ledalite.com)

## Additional Information

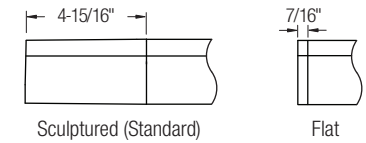
### Modules

Module length excludes endcaps.  
Nominal mount spacing for individually mounted modules.

Module	Mount Spacing
4ft	4' 0"
8ft	8' 0"
12ft*	12' 0"

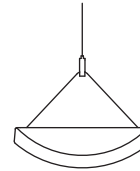
\*12ft not available with Direct/Indirect

### Endcap

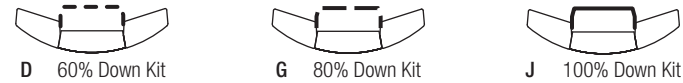


### Sling Mount Detail

Fixture uses 1/16" steel sling-mounted aircraft cable for horizontal leveling.



### Upper Optics



## Specifications

Due to continuing product improvements, Ledalite reserves the right to change specifications without notice.

### Housing

Die-formed 20 gauge cold-rolled steel.

### Weight

3.4 lb/ft.

### Optical System

Direct/Indirect: Constructed of 96% reflective white steel and specular aluminum to produce a direct/indirect distribution. Semi-specular louvers are aluminum and spaced 1-7/16" apart. White baffles are spaced 1-5/16" apart. Standard distribution is 70% up and 30% down. Optional field-installable Variable Optics kits provide additional downlight as required.

Semi-Indirect: Constructed of 96% reflective white steel with perforated housing and acrylic overlay to produce a semi-indirect distribution. Perforated housing available in round or slot perforation patterns.

High performance options use additional highly-specular aluminum reflectors.

### Endcaps

Available with either die-cast sculptured endcaps (standard) or flat die-cast endcaps (option).

### Joints

Self-aligning joining system with hands-free pre-joining wire access.

### Mounting

Fixture uses 1/16" steel sling-mounted aircraft cable for horizontal leveling. Aircraft cable gripper provides continuous vertical adjustment capability. Aircraft cable, crimp and cable gripper are independently tested to meet stringent safety requirements.

### Electrical

Factory pre-wired to section ends with quick-wire connectors.

### Ballast

Electronic.

### Approvals

Certified to UL and CSA standards.

### Finish

High-quality powder coat. Available in Ledalite Standard White (textured matte finish), and a selection of other factory and customer-specified colors. Consult factory for details.