

Sona™



Suspended
Direct/Indirect
1 T5HO



Project Name

Spec Type

Notes

Order Guide

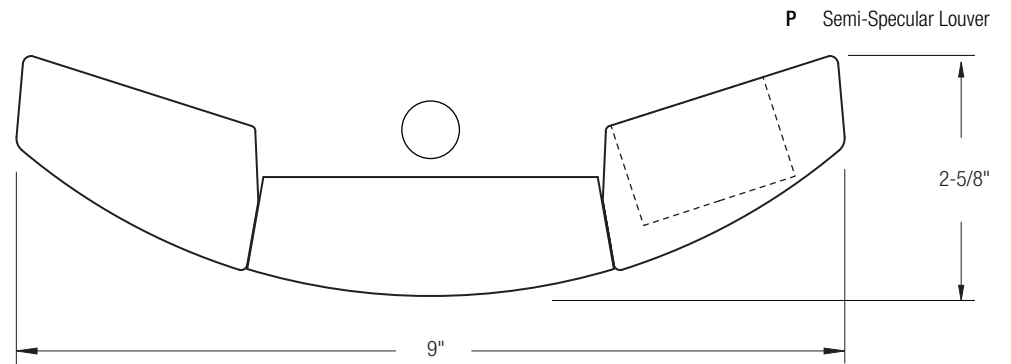
Some combinations of product options may not be available. Consult factory for assistance with your specification.

7706	H01			-		-		-	
Product Series & Type Sona Direct/Indirect	Lamping 1 T5HO	Lower Optics P Semi-Specular Louver W White Louver	Upper Optics N None D 60% Down Kit G 80% Down Kit J 100% Down Kit	Run Length <i>Enter the total run length in feet (4ft increments)</i>	Wiring 1 1 cct 3 1 cct w/ Emergency cct 5 1 cct w/ Battery Pack 7 1 cct Dimming	Voltage 1 120V 2 277V 3 347V	Ballast E Standard Ballast Consult website for ballast manufacturer information	Color & Finish W Standard White C Factory Color X Custom Color Consult website for color and finish options	
Mounting Hardware									
<input type="text"/>									
Mount Type Consult separate mounting spec sheet for mount type options						Suspension Length <i>Enter distance from ceiling to top of fixture in inches</i>			

Upgrades & Accessories

Please indicate with check mark.

<input type="checkbox"/> Lamps Included	<input checked="" type="checkbox"/> Lamps Included and Installed
<input type="checkbox"/> Flat Endcap See details on reverse	
<input type="checkbox"/> Response Daylight (Integrated Controls) For details visit www.ledalite.com/response	



Sona™

Suspended
Direct/Indirect
1 T5HO



Photometry Optics PJ Semi-Specular Louver w/ 100% Down Kit

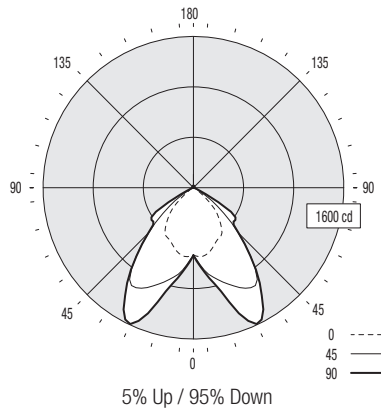
Report Summary

Report # 9900852 **Peak Candela Value*** N/A
Filename 7706H01PJ.ies **Peak to Zenith Ratio*** N/A : 1
Efficiency 50.3% * Between 90-180° vertical angle

Meets RP-1-04 recommendations for VDT-Normal spaces

Candela Distribution

Vertical Angle	Horizontal Angle					Zonal Lumens
	0	22.5	45	67.5	90	
0	714	714	714	714	714	
5	732	765	818	836	835	80
15	693	836	1007	1133	1134	279
25	606	792	1166	1509	1592	523
35	521	828	1185	1237	1230	631
45	317	559	670	687	682	466
55	72	138	240	402	546	240
65	20	27	32	75	75	57
75	6	6	6	6	4	8
85	1	1	1	1	0	1
90	0	0	0	0	0	0
95	2	1	1	2	2	1
105	4	4	3	3	3	4
115	8	6	10	5	5	7
125	10	8	11	15	16	12
135	12	10	12	15	17	10
145	14	15	13	14	15	8
155	16	19	16	16	17	8
165	16	17	21	21	20	6
175	17	17	17	17	17	2
180	17	17	17	17	17	



Coefficients of Utilization (%)

Ceiling:	80				70				50				0				
	70	50	30	10	70	50	30	10	50	30	10	0	70	50	30	10	0
0 RCR	59	59	59	59	58	58	58	55	55	55	49						
1	56	54	52	51	54	53	51	50	49	48	44						
2	52	49	46	44	51	48	45	46	44	42	39						
3	48	44	41	38	47	43	40	41	39	37	34						
4	45	40	36	33	43	39	36	38	35	32	30						
5	41	36	32	29	40	35	32	34	31	29	27						
6	38	33	29	26	37	32	28	31	28	25	24						
7	36	30	26	23	35	29	26	28	25	23	21						
8	33	27	23	21	32	27	23	26	23	20	19						
9	31	25	21	19	30	25	21	24	21	18	17						
10	29	23	19	17	28	23	19	22	19	17	16						

Based on a floor reflectance of 0.2

Avg. Luminance (cd/m²)

Vertical Angle	Horizontal Angle		
	0	45	90
55	1023	3411	7760
65	386	617	1447
75	189	189	126
85	94	94	0

IES files for this and other photometric options can be downloaded online at www.ledalite.com

Additional Information

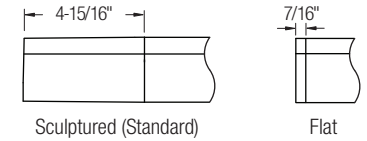
Modules

Module length excludes endcaps.
Nominal mount spacing for individually mounted modules.

Module	Mount Spacing
4ft	4' 0"
8ft	8' 0"
12ft*	12' 0"

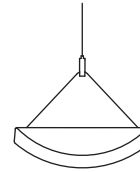
*12ft not available with Direct/Indirect

Endcap

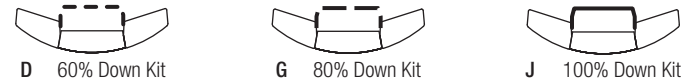


Sling Mount Detail

Fixture uses 1/16" steel sling-mounted aircraft cable for horizontal leveling.



Upper Optics



Specifications

Due to continuing product improvements, Ledalite reserves the right to change specifications without notice.

Housing

Die-formed 20 gauge cold-rolled steel.

Weight

3.4 lb/ft.

Optical System

Direct/Indirect: Constructed of 96% reflective white steel and specular aluminum to produce a direct/indirect distribution. Semi-specular louvers are aluminum and spaced 1-7/16" apart. White baffles are spaced 1-5/16" apart. Standard distribution is 70% up and 30% down. Optional field-installable Variable Optics kits provide additional downlight as required.

Semi-Indirect: Constructed of 96% reflective white steel with perforated housing and acrylic overlay to produce a semi-indirect distribution. Perforated housing available in round or slot perforation patterns.

High performance options use additional highly-specular aluminum reflectors.

Endcaps

Available with either die-cast sculptured endcaps (standard) or flat die-cast endcaps (option).

Joints

Self-aligning joining system with hands-free pre-joining wire access.

Mounting

Fixture uses 1/16" steel sling-mounted aircraft cable for horizontal leveling. Aircraft cable gripper provides continuous vertical adjustment capability. Aircraft cable, crimp and cable gripper are independently tested to meet stringent safety requirements.

Electrical

Factory pre-wired to section ends with quick-wire connectors.

Ballast

Electronic.

Approvals

Certified to UL and CSA standards.

Finish

High-quality powder coat. Available in Ledalite Standard White (textured matte finish), and a selection of other factory and customer-specified colors. Consult factory for details.