

Sona™



Suspended
Direct/Indirect
1 T5HO



Project Name

Spec Type

Notes

Order Guide

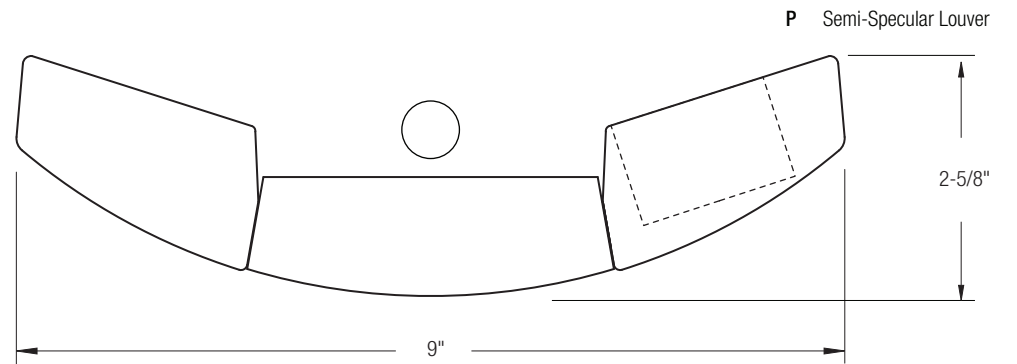
Some combinations of product options may not be available. Consult factory for assistance with your specification.

7706	H01			-		-		-		
Product Series & Type Sona Direct/Indirect	Lamping 1 T5HO	Lower Optics P Semi-Specular Louver W White Louver	Upper Optics N None D 60% Down Kit G 80% Down Kit J 100% Down Kit	Run Length <i>Enter the total run length in feet (4ft increments)</i>	Wiring 1 1 cct 3 1 cct w/ Emergency cct 5 1 cct w/ Battery Pack 7 1 cct Dimming	Voltage 1 120V 2 277V 3 347V	Ballast E Standard Ballast Consult website for ballast manufacturer information	Color & Finish W Standard White C Factory Color X Custom Color Consult website for color and finish options		
									Mounting Hardware	
									<input type="text"/>	<input type="text"/>
									Mount Type Consult separate mounting spec sheet for mount type options	Suspension Length <i>Enter distance from ceiling to top of fixture in inches</i>
		See details on reverse	See details on reverse	See details on reverse	Consult website for complete list of standard wiring options					

Upgrades & Accessories

Please indicate with check mark.

<input type="checkbox"/> Lamps Included	<input checked="" type="checkbox"/> Lamps Included and Installed
<input type="checkbox"/> Flat Endcap See details on reverse	
<input type="checkbox"/> Response Daylight (Integrated Controls) For details visit www.ledalite.com/response	



Sona™

Suspended
Direct/Indirect
1 T5HO



Photometry Optics PG Semi-Specular Louver w/ 80% Down Kit

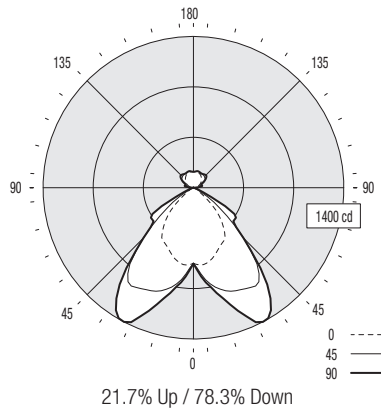
Report Summary

Report # 9900851 Peak Candela Value* 164 @ 133°
 Filename 7706H01PG.ies Peak to Zenith Ratio* 1.1 : 1
 Efficiency 59.6% * Between 90-180° vertical angle

Meets RP-1-04 recommendations for VDT-Normal spaces

Candela Distribution

Vertical Angle	Horizontal Angle					Zonal Lumens
	0	22.5	45	67.5	90	
0	703	703	703	703	703	
5	718	751	801	814	825	80
15	678	814	973	1073	1058	265
25	592	770	1041	1295	1374	471
35	506	765	1062	1213	1251	599
45	299	517	667	678	659	448
55	68	131	233	361	484	225
65	19	27	31	88	101	62
75	6	6	5	5	4	7
85	1	1	0	1	0	1
90	0	0	0	0	0	
95	10	21	42	39	41	32
105	35	53	58	79	81	66
115	62	83	99	89	83	86
125	85	98	134	140	138	108
135	105	114	145	164	164	108
145	125	134	149	165	154	92
155	140	147	153	157	153	69
165	148	150	157	160	158	44
175	149	150	150	150	149	15
180	148	148	148	148	148	



Coefficients of Utilization (%)

Ceiling:	80				70				50				0			
	70	50	30	10	70	50	30	10	50	30	10	0	50	30	10	0
0 RCR	68	68	68	68	64	64	64	59	59	59	46					
1	63	61	59	57	60	58	57	53	52	51	41					
2	58	55	51	49	56	52	50	48	46	44	37					
3	54	49	45	42	52	47	44	44	41	38	32					
4	50	44	40	36	48	42	39	39	36	34	29					
5	46	40	35	32	44	38	34	36	32	30	25					
6	43	36	31	28	41	35	31	32	29	26	22					
7	40	33	28	25	38	32	27	30	26	23	20					
8	37	30	25	22	35	29	25	27	23	21	18					
9	34	27	23	20	33	26	22	25	21	19	16					
10	32	25	21	18	31	24	20	23	19	17	15					

Based on a floor reflectance of 0.2

Avg. Luminance (cd/m²)

Vertical Angle	Horizontal Angle		
	0	45	90
55	966	3311	6878
65	366	598	1948
75	189	157	126
85	94	0	0

IES files for this and other photometric options can be downloaded online at www.ledalite.com

Additional Information

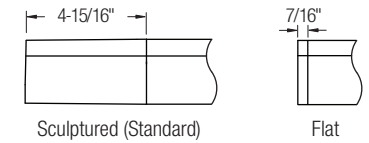
Modules

Module length excludes endcaps.
Nominal mount spacing for individually mounted modules.

Module	Mount Spacing
4ft	4' 0"
8ft	8' 0"
12ft*	12' 0"

*12ft not available with Direct/Indirect

Endcap

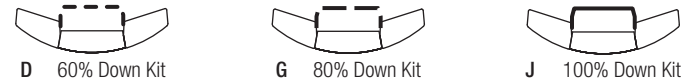


Sling Mount Detail

Fixture uses 1/16" steel sling-mounted aircraft cable for horizontal leveling.



Upper Optics



Specifications

Due to continuing product improvements, Ledalite reserves the right to change specifications without notice.

Housing

Die-formed 20 gauge cold-rolled steel.

Weight

3.4 lb/ft.

Optical System

Direct/Indirect: Constructed of 96% reflective white steel and specular aluminum to produce a direct/indirect distribution. Semi-specular louvers are aluminum and spaced 1-7/16" apart. White baffles are spaced 1-5/16" apart. Standard distribution is 70% up and 30% down. Optional field-installable Variable Optics kits provide additional downlight as required.

Semi-Indirect: Constructed of 96% reflective white steel with perforated housing and acrylic overlay to produce a semi-indirect distribution. Perforated housing available in round or slot perforation patterns.

High performance options use additional highly-specular aluminum reflectors.

Endcaps

Available with either die-cast sculptured endcaps (standard) or flat die-cast endcaps (option).

Joints

Self-aligning joining system with hands-free pre-joining wire access.

Mounting

Fixture uses 1/16" steel sling-mounted aircraft cable for horizontal leveling. Aircraft cable gripper provides continuous vertical adjustment capability. Aircraft cable, crimp and cable gripper are independently tested to meet stringent safety requirements.

Electrical

Factory pre-wired to section ends with quick-wire connectors.

Ballast

Electronic.

Approvals

Certified to UL and CSA standards.

Finish

High-quality powder coat. Available in Ledalite Standard White (textured matte finish), and a selection of other factory and customer-specified colors. Consult factory for details.