

Sona™



Project Name

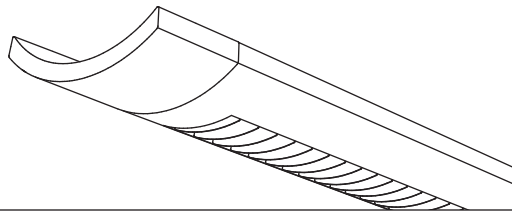
Spec Type

Notes

Suspended

Direct/Indirect (High Performance)

3 T8




Order Guide

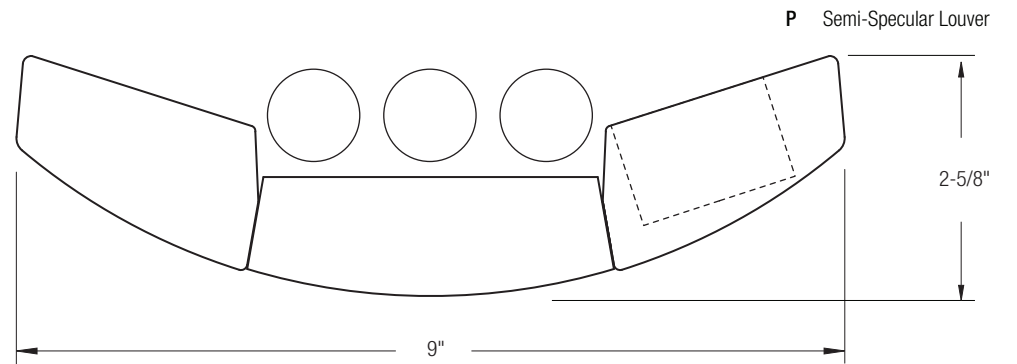
Some combinations of product options may not be available. Consult factory for assistance with your specification.

7707	T03	<input type="text"/>	<input type="text"/>	-	<input type="text"/>	-	<input type="text"/>	-	<input type="text"/>	-	<input type="text"/>
Product Series & Type Sona Direct/Indirect (High Performance)	Lamping 3 T8	Lower Optics P Semi-Specular Louver W White Louver	Upper Optics N None	Run Length <i>Enter the total run length in feet (4ft increments)</i>	Wiring 1 1 cct 2 2 cct 3 1 cct w/ Emergency cct 4 2 cct w/ Emergency cct 5 1 cct w/ Battery Pack 6 2 cct w/ Battery Pack 7 1 cct Dimming	Voltage 1 120V 2 277V 3 347V	Ballast E Standard Ballast Consult website for ballast manufacturer information	Color & Finish W Standard White C Factory Color X Custom Color Consult website for color and finish options			
Mounting Hardware											
<input type="text"/>						<input type="text"/>					
Mount Type Consult separate mounting spec sheet for mount type options						Suspension Length <i>Enter distance from ceiling to top of fixture in inches</i>					

Upgrades & Accessories

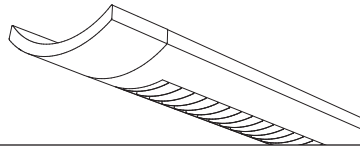
Please indicate with check mark.

<input type="checkbox"/> Lamps Included	<input type="checkbox"/> Lamps Included and Installed
<input type="checkbox"/> Flat Endcap See details on reverse	<input type="checkbox"/> Dust Cover Only available with upper optics option N 
<input type="checkbox"/> Response Daylight (Integrated Controls) For details visit www.ledalite.com/response	



Sona™

Suspended
Direct/Indirect (High Performance)
3 T8



Photometry Optics PN Semi-Specular Louver

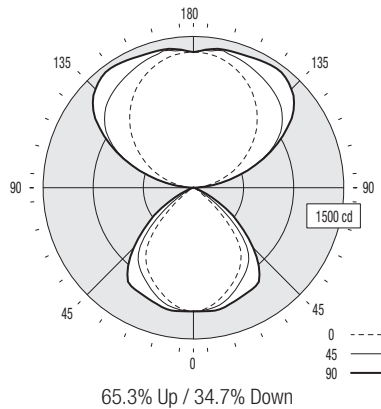
Report Summary

Report # 9900839 **Peak Candela Value*** 1445 @ 145°
Filename 7707T03PN.ies **Peak to Zenith Ratio*** 1.1 : 1
Efficiency 83.6% * Between 90-180° vertical angle

Meets RP-1-04 recommendations for VDT-Normal spaces

Candela Distribution

Vertical Angle	Horizontal Angle					Zonal Lumens
	0	22.5	45	67.5	90	
0	1227	1227	1227	1227	1227	118
5	1211	1216	1221	1227	1230	331
15	1116	1136	1174	1214	1224	498
25	991	1027	1064	1140	1179	599
35	829	873	944	1062	1139	515
45	466	565	691	793	842	260
55	93	154	276	419	481	72
65	26	32	41	109	141	11
75	9	10	8	7	6	2
85	3	2	1	1	1	118
90	0	0	0	0	0	444
95	65	93	113	96	107	734
105	258	410	468	445	459	892
115	480	649	834	825	853	899
125	698	816	1078	1169	1197	789
135	897	970	1208	1340	1381	607
145	1065	1112	1274	1401	1445	383
155	1197	1225	1329	1393	1419	132
165	1291	1293	1371	1396	1405	
175	1339	1313	1367	1372	1374	
180	1345	1345	1345	1345	1345	



Coefficients of Utilization (%)

Ceiling:	80				70				50				0			
	70	50	30	10	70	50	30	10	50	30	10	0	70	50	30	10
0 RCR	86	86	86	86	77	77	77	61	61	61	27					
1	79	76	73	70	71	68	66	55	53	52	24					
2	72	67	62	58	65	61	57	49	46	44	21					
3	66	59	54	49	60	54	49	43	40	38	19					
4	61	53	47	42	55	48	43	39	35	32	17					
5	56	47	41	36	50	43	38	35	31	28	15					
6	52	42	36	32	47	39	33	32	28	25	13					
7	48	38	32	28	43	35	30	29	25	22	12					
8	44	35	29	24	40	32	26	26	22	19	11					
9	41	32	26	22	37	29	24	24	20	17	10					
10	38	29	23	19	35	26	21	22	18	15	9					

Based on a floor reflectance of 0.2

Avg. Luminance (cd/m²)

Vertical Angle	Horizontal Angle		
	0	45	90
55	1322	3922	6836
65	501	791	2720
75	283	252	189
85	281	94	94

IES files for this and other photometric options can be downloaded online at www.ledalite.com

Additional Information

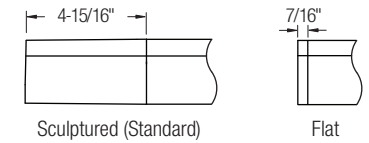
Modules

Module length excludes endcaps.
Nominal mount spacing for individually mounted modules.

Module	Mount Spacing
4ft	4' 0"
8ft	8' 0"
12ft*	12' 0"

*12ft not available with Direct/Indirect

Endcap



Sling Mount Detail

Fixture uses 1/16" steel sling-mounted aircraft cable for horizontal leveling.



Specifications

Due to continuing product improvements, Ledalite reserves the right to change specifications without notice.

Housing

Die-formed 20 gauge cold-rolled steel.

Weight

3.4 lb/ft.

Optical System

Direct/Indirect: Constructed of 96% reflective white steel and specular aluminum to produce a direct/indirect distribution. Semi-specular louvers are aluminum and spaced 1-7/16" apart. White baffles are spaced 1-5/16" apart. Standard distribution is 70% up and 30% down. Optional field-installable Variable Optics kits provide additional downlight as required.

Semi-Indirect: Constructed of 96% reflective white steel with perforated housing and acrylic overlay to produce a semi-indirect distribution. Perforated housing available in round or slot perforation patterns.

High performance options use additional highly-specular aluminum reflectors.

Endcaps

Available with either die-cast sculptured endcaps (standard) or flat die-cast endcaps (option).

Joints

Self-aligning joining system with hands-free pre-joining wire access.

Mounting

Fixture uses 1/16" steel sling-mounted aircraft cable for horizontal leveling. Aircraft cable gripper provides continuous vertical adjustment capability. Aircraft cable, crimp and cable gripper are independently tested to meet stringent safety requirements.

Electrical

Factory pre-wired to section ends with quick-wire connectors.

Ballast

Electronic.

Approvals

Certified to UL and CSA standards.

Finish

High-quality powder coat. Available in Ledalite Standard White (textured matte finish), and a selection of other factory and customer-specified colors. Consult factory for details.