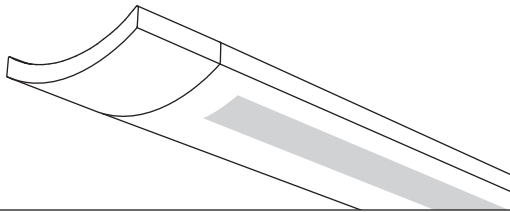


# Sona™



Suspended  
Semi-Indirect (High Performance)  
3 T8



Project Name

Spec Type

Notes




## Order Guide

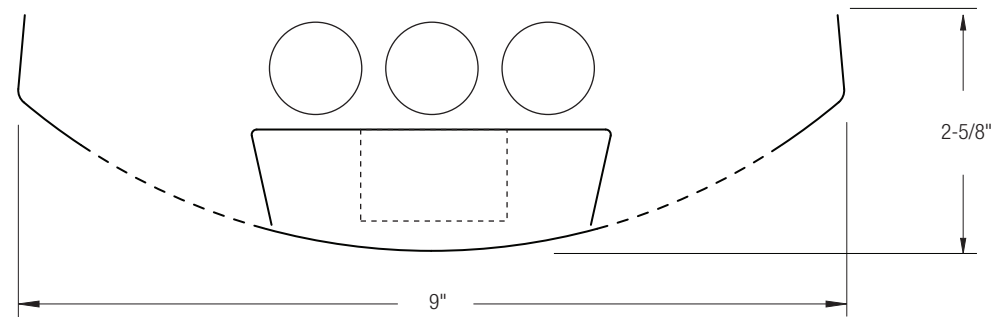
Some combinations of product options may not be available. Consult factory for assistance with your specification.

<b>7704</b>	<b>T03</b>	<input type="text"/>	<input type="text"/>	-	<input type="text"/>	-	<input type="text"/>	-	<input type="text"/>	-	<input type="text"/>
Product Series & Type Sona Semi-Indirect (High Performance)	Lamping 3 T8	Lower Optics L Round Perf Housing I Slot Perf Housing	Upper Optics N None	Run Length <i>Enter the total run length in feet (4ft increments)</i>	Wiring 1 1 cct 2 2 cct 3 1 cct w/ Emergency cct 4 2 cct w/ Emergency cct 5 1 cct w/ Battery Pack 6 2 cct w/ Battery Pack 7 1 cct Dimming	Voltage 1 120V 2 277V 3 347V	Ballast E Standard Ballast  Consult website for ballast manufacturer information	Color & Finish W Standard White C Factory Color X Custom Color  Consult website for color and finish options			
		See details on reverse	See details on reverse	See details on reverse	Consult website for complete list of standard wiring options						
<b>Mounting Hardware</b>											
				Mount Type		Suspension Length					
				Consult separate mounting spec sheet for mount type options		Enter distance from ceiling to top of fixture in inches					

## Upgrades & Accessories

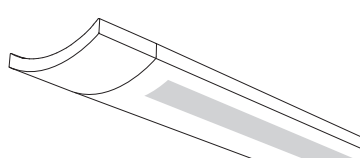
Please indicate with check mark.

<input type="checkbox"/> Lamps Included	<input type="checkbox"/> Lamps Included and Installed
<input type="checkbox"/> Flat Endcap See details on reverse	<input type="checkbox"/> Dust Cover Only available with upper optics option N 
<input type="checkbox"/> Response Daylight (Integrated Controls) For details visit <a href="http://www.ledalite.com/response">www.ledalite.com/response</a>	



# Sona™

Suspended  
Semi-Indirect (High Performance)  
3 T8



## Photometry Optics IN Slot Perf Housing

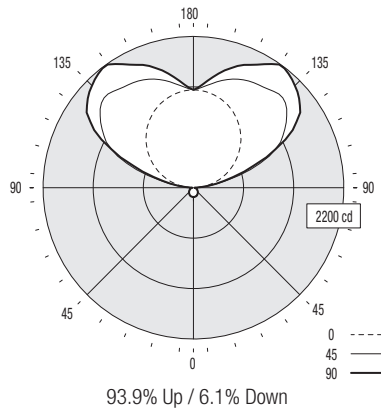
### Report Summary

**Report #** 9900863 **Peak Candela Value\*** 2188 @ 143°  
**Filename** 7704T03IN.ies **Peak to Zenith Ratio\*** 1.5 : 1  
**Efficiency** 84.3% \* Between 90-180° vertical angle

Meets RP-1-04 recommendations for VDT-Intensive spaces

### Candela Distribution

Vertical Angle	Horizontal Angle					Zonal Lumens
	0	22.5	45	67.5	90	
0	135	135	135	135	135	
5	134	134	134	134	134	13
15	128	128	129	130	131	36
25	119	118	121	121	122	56
35	105	104	106	105	107	66
45	88	88	89	88	90	68
55	69	68	71	71	73	63
65	48	49	53	54	55	52
75	27	30	35	37	39	36
85	10	15	21	23	24	20
90	5	10	14	16	16	
95	109	125	132	108	125	153
105	340	669	693	594	603	644
115	570	1019	1322	1317	1324	1133
125	784	1231	1658	1831	1908	1348
135	984	1342	1849	2043	2099	1305
145	1146	1423	1786	2099	2188	1091
155	1277	1462	1731	1917	1972	780
165	1367	1460	1615	1734	1767	454
175	1416	1440	1467	1499	1505	145
180	1423	1423	1423	1423	1423	



### Coefficients of Utilization (%)

Ceiling:	80				70				50				0
	70	50	30	10	70	50	30	10	50	30	10	0	
0 RCR	81	81	81	81	70	70	70	49	49	49	4		
1	73	70	67	64	63	60	58	42	41	40	3		
2	67	61	56	52	57	53	49	37	35	32	3		
3	61	53	48	43	52	46	41	32	30	27	2		
4	55	47	41	36	47	41	36	29	25	23	2		
5	51	42	35	31	43	36	31	25	22	19	1		
6	46	37	31	26	40	32	27	23	19	17	1		
7	43	33	27	22	37	29	23	20	17	14	1		
8	39	30	24	20	34	26	21	18	15	12	1		
9	36	27	21	17	31	23	18	17	13	11	1		
10	34	24	19	15	29	21	16	15	12	10	1		

Based on a floor reflectance of 0.2

### Avg. Luminance (cd/m²)

Vertical Angle	Horizontal Angle		
	0	45	90
55	443	411	406
65	419	396	388
75	384	387	394
85	423	471	450

IES files for this and other photometric options can be downloaded online at [www.ledalite.com](http://www.ledalite.com)

## Additional Information

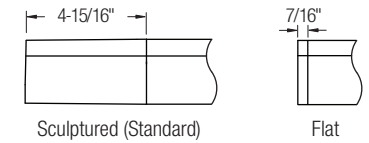
### Modules

Module length excludes endcaps.  
Nominal mount spacing for individually mounted modules.

Module	Mount Spacing
4ft	4' 0"
8ft	8' 0"
12ft*	12' 0"

\*12ft not available with Direct/Indirect

### Endcap

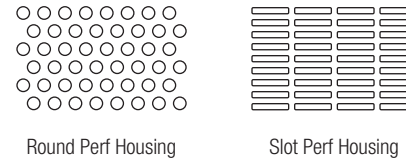


### Sling Mount Detail

Fixture uses 1/16" steel sling-mounted aircraft cable for horizontal leveling.



### Lower Optics



## Specifications

Due to continuing product improvements, Ledalite reserves the right to change specifications without notice.

### Housing

Die-formed 20 gauge cold-rolled steel.

### Weight

3.4 lb/ft.

### Optical System

Direct/Indirect: Constructed of 96% reflective white steel and specular aluminum to produce a direct/indirect distribution. Semi-specular louvers are aluminum and spaced 1-7/16" apart. White baffles are spaced 1-5/16" apart. Standard distribution is 70% up and 30% down. Optional field-installable Variable Optics kits provide additional downlight as required.

Semi-Indirect: Constructed of 96% reflective white steel with perforated housing and acrylic overlay to produce a semi-indirect distribution. Perforated housing available in round or slot perforation patterns.

High performance options use additional highly-specular aluminum reflectors.

### Endcaps

Available with either die-cast sculptured endcaps (standard) or flat die-cast endcaps (option).

### Joints

Self-aligning joining system with hands-free pre-joining wire access.

### Mounting

Fixture uses 1/16" steel sling-mounted aircraft cable for horizontal leveling. Aircraft cable gripper provides continuous vertical adjustment capability. Aircraft cable, crimp and cable gripper are independently tested to meet stringent safety requirements.

### Electrical

Factory pre-wired to section ends with quick-wire connectors.

### Ballast

Electronic.

### Approvals

Certified to UL and CSA standards.

### Finish

High-quality powder coat. Available in Ledalite Standard White (textured matte finish), and a selection of other factory and customer-specified colors. Consult factory for details.