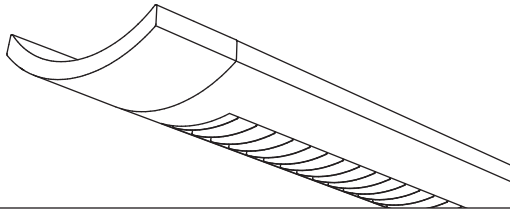


Sona™



Suspended
 Direct/Indirect (High Performance)
 3 T5



Project Name

Spec Type

Notes




Order Guide

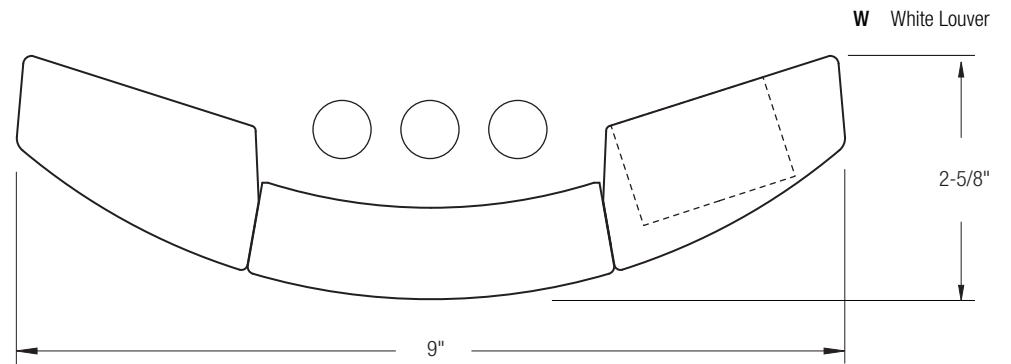
Some combinations of product options may not be available. Consult factory for assistance with your specification.

7707	F03	<input type="text"/>	<input type="text"/>	-	<input type="text"/>	-	<input type="text"/>	-	<input type="text"/>	-	<input type="text"/>
Product Series & Type Sona Direct/Indirect (High Performance)	Lamping 3 T5	Lower Optics P Semi-Specular Louver W White Louver	Upper Optics N None	Run Length <i>Enter the total run length in feet (4ft increments)</i>	Wiring 1 1 cct 2 2 cct 3 1 cct w/ Emergency cct 4 2 cct w/ Emergency cct 5 1 cct w/ Battery Pack 6 2 cct w/ Battery Pack 7 1 cct Dimming	Voltage 1 120V 2 277V 3 347V	Ballast E Standard Ballast Consult website for ballast manufacturer information	Color & Finish W Standard White C Factory Color X Custom Color Consult website for color and finish options			
		See details on reverse	See details on reverse	See details on reverse	Consult website for complete list of standard wiring options	<h3>Mounting Hardware</h3> <input type="text"/> <input type="text"/>					
						Mount Type Consult separate mounting spec sheet for mount type options	Suspension Length <i>Enter distance from ceiling to top of fixture in inches</i>				

Upgrades & Accessories

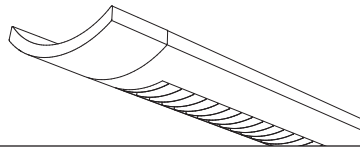
Please indicate with check mark.

<input type="checkbox"/> Lamps Included	<input type="checkbox"/> Lamps Included and Installed
<input type="checkbox"/> Flat Endcap See details on reverse	<input type="checkbox"/> Dust Cover Only available with upper optics option N 
<input type="checkbox"/> Response Daylight (Integrated Controls) For details visit www.ledalite.com/response	



Sona™

Suspended
Direct/Indirect (High Performance)
3 T5



Photometry Optics WN White Louver

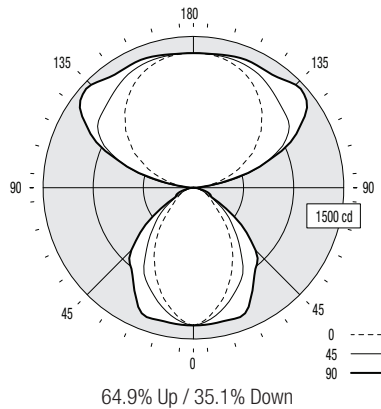
Report Summary

Report # 9900944 Peak Candela Value* 1452 @ 133°
 Filename 7707F03WN.ies Peak to Zenith Ratio* 1.1 : 1
 Efficiency 90.3% * Between 90-180° vertical angle

Meets RP-1-04 recommendations for VDT-Normal spaces

Candela Distribution

Vertical Angle	Horizontal Angle					Zonal Lumens
	0	22.5	45	67.5	90	
0	1366	1366	1366	1366	1366	
5	1318	1332	1338	1359	1365	128
15	1139	1173	1220	1310	1358	348
25	907	965	1068	1240	1304	501
35	655	723	840	979	1060	532
45	386	483	569	776	876	469
55	221	245	349	455	491	316
65	136	145	153	169	186	165
75	69	68	64	85	115	85
85	18	15	14	19	21	21
90	0	0	0	0	0	
95	69	96	106	55	73	112
105	293	477	580	500	563	518
115	540	682	982	1016	1069	853
125	770	864	1156	1325	1384	983
135	962	1029	1204	1383	1443	929
145	1122	1156	1270	1344	1369	787
155	1237	1249	1318	1359	1372	603
165	1305	1307	1334	1352	1356	376
175	1333	1334	1336	1336	1336	130
180	1335	1335	1335	1335	1335	



Coefficients of Utilization (%)

Ceiling:	80				70				50				0				
	70	50	30	10	70	50	30	10	50	30	10	0	70	50	30	10	0
0 RCR	93	93	93	93	83	83	83	66	66	66	29						
1	85	81	78	75	76	73	71	59	57	55	25						
2	78	72	66	62	70	65	60	52	49	46	22						
3	71	63	57	52	64	57	52	46	42	39	19						
4	65	56	50	44	59	51	45	41	37	34	17						
5	60	50	43	38	54	46	40	37	33	29	15						
6	55	45	38	33	50	41	35	33	29	26	13						
7	51	41	34	29	46	37	31	30	26	23	12						
8	47	37	30	26	43	34	28	28	23	20	11						
9	44	34	27	23	40	31	25	25	21	18	10						
10	41	31	25	20	37	28	23	23	19	16	9						

Based on a floor reflectance of 0.2

Avg. Luminance (cd/m²)

Vertical Angle	Horizontal Angle		
	0	45	90
55	3141	4960	6978
65	2623	2951	3588
75	2173	2016	3622
85	1684	1309	1964

IES files for this and other photometric options can be downloaded online at www.ledalite.com

Additional Information

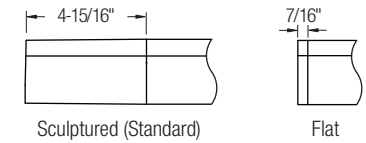
Modules

Module length excludes endcaps.
Nominal mount spacing for individually mounted modules.

Module	Mount Spacing
4ft	4' 0"
8ft	8' 0"
12ft*	12' 0"

*12ft not available with Direct/Indirect

Endcap



Sling Mount Detail

Fixture uses 1/16" steel sling-mounted aircraft cable for horizontal leveling.



Specifications

Due to continuing product improvements, Ledalite reserves the right to change specifications without notice.

Housing

Die-formed 20 gauge cold-rolled steel.

Weight

3.4 lb/ft.

Optical System

Direct/Indirect: Constructed of 96% reflective white steel and specular aluminum to produce a direct/indirect distribution. Semi-specular louvers are aluminum and spaced 1-7/16" apart. White baffles are spaced 1-5/16" apart. Standard distribution is 70% up and 30% down. Optional field-installable Variable Optics kits provide additional downlight as required.

Semi-Indirect: Constructed of 96% reflective white steel with perforated housing and acrylic overlay to produce a semi-indirect distribution. Perforated housing available in round or slot perforation patterns.

High performance options use additional highly-specular aluminum reflectors.

Endcaps

Available with either die-cast sculptured endcaps (standard) or flat die-cast endcaps (option).

Joints

Self-aligning joining system with hands-free pre-joining wire access.

Mounting

Fixture uses 1/16" steel sling-mounted aircraft cable for horizontal leveling. Aircraft cable gripper provides continuous vertical adjustment capability. Aircraft cable, crimp and cable gripper are independently tested to meet stringent safety requirements.

Electrical

Factory pre-wired to section ends with quick-wire connectors.

Ballast

Electronic.

Approvals

Certified to UL and CSA standards.

Finish

High-quality powder coat. Available in Ledalite Standard White (textured matte finish), and a selection of other factory and customer-specified colors. Consult factory for details.