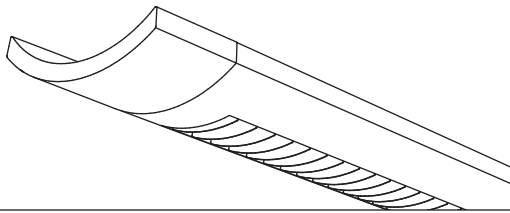


# Sona™



Suspended  
 Direct/Indirect (High Performance)  
 3 T5



Project Name

Spec Type

Notes




## Order Guide

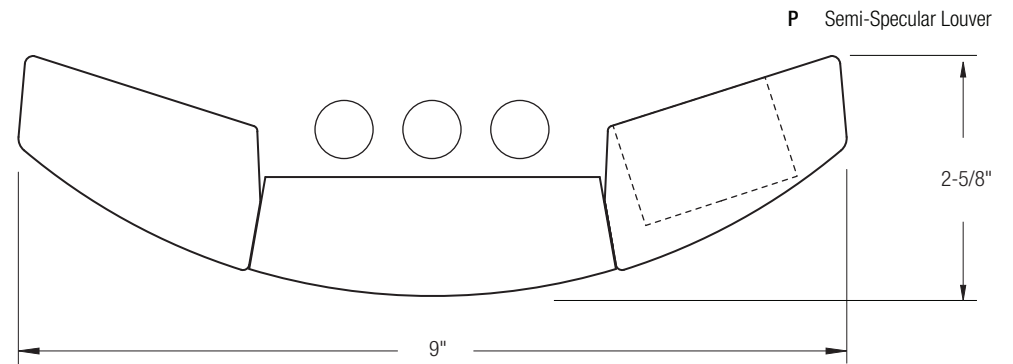
Some combinations of product options may not be available. Consult factory for assistance with your specification.

<b>7707</b>	<b>F03</b>	<input type="text"/>	<input type="text"/>	-	<input type="text"/>	-	<input type="text"/>	-	<input type="text"/>	-	<input type="text"/>
Product Series & Type Sona Direct/Indirect (High Performance)	Lamping 3 T5	Lower Optics <b>P</b> Semi-Specular Louver <b>W</b> White Louver	Upper Optics <b>N</b> None	Run Length <i>Enter the total run length in feet (4ft increments)</i>	Wiring <b>1</b> 1 cct <b>2</b> 2 cct <b>3</b> 1 cct w/ Emergency cct <b>4</b> 2 cct w/ Emergency cct <b>5</b> 1 cct w/ Battery Pack <b>6</b> 2 cct w/ Battery Pack <b>7</b> 1 cct Dimming	Voltage <b>1</b> 120V <b>2</b> 277V <b>3</b> 347V	Ballast <b>E</b> Standard Ballast  Consult website for ballast manufacturer information	Color & Finish <b>W</b> Standard White <b>C</b> Factory Color <b>X</b> Custom Color  Consult website for color and finish options			
<b>Mounting Hardware</b>											
<input type="text"/>						<input type="text"/>					
Mount Type Consult separate mounting spec sheet for mount type options						Suspension Length <i>Enter distance from ceiling to top of fixture in inches</i>					

## Upgrades & Accessories

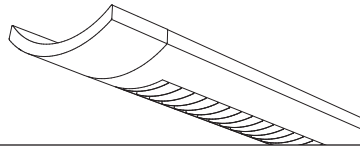
Please indicate with check mark.

<input type="checkbox"/> Lamps Included	<input type="checkbox"/> Lamps Included and Installed
<input type="checkbox"/> Flat Endcap See details on reverse	<input type="checkbox"/> Dust Cover Only available with upper optics option N 
<input type="checkbox"/> Response Daylight (Integrated Controls) For details visit <a href="http://www.ledalite.com/response">www.ledalite.com/response</a>	



# Sona™

Suspended  
Direct/Indirect (High Performance)  
3 T5



## Photometry Optics PN Semi-Specular Louver

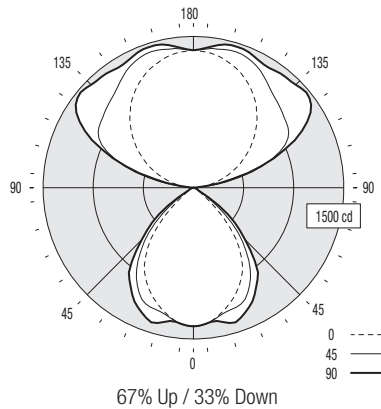
### Report Summary

**Report #** 9900888 **Peak Candela Value\*** 1470 @ 130°  
**Filename** 7707F03PN.ies **Peak to Zenith Ratio\*** 1.1 : 1  
**Efficiency** 88.5% \* Between 90-180° vertical angle

Meets RP-1-04 recommendations for VDT-Normal spaces

### Candela Distribution

Vertical Angle	Horizontal Angle					Zonal Lumens
	0	22.5	45	67.5	90	
0	1375	1375	1375	1375	1375	
5	1358	1360	1360	1361	1357	130
15	1241	1247	1273	1353	1389	367
25	1078	1098	1220	1282	1310	550
35	829	929	988	1055	1114	611
45	428	544	631	714	728	471
55	88	138	198	285	310	191
65	24	29	28	44	46	37
75	9	8	6	6	5	9
85	3	2	1	1	1	2
90	0	0	0	0	0	
95	69	102	79	33	33	103
105	256	485	604	548	563	529
115	478	656	1010	1073	1117	866
125	692	818	1130	1367	1433	977
135	892	999	1190	1379	1444	918
145	1068	1164	1279	1373	1417	794
155	1203	1274	1381	1423	1435	622
165	1298	1329	1411	1454	1464	395
175	1352	1348	1380	1390	1391	133
180	1363	1363	1363	1363	1363	



### Coefficients of Utilization (%)

Ceiling: Walk:	80				70				50				0
	70	50	30	10	70	50	30	10	50	30	10	0	
0 RCR	90	90	90	90	81	81	81	64	64	64	27		
1	83	80	77	74	75	72	69	57	56	54	24		
2	76	71	66	62	69	64	60	51	48	46	22		
3	70	63	57	52	63	57	52	46	42	40	19		
4	65	56	50	45	58	51	46	41	37	34	17		
5	59	50	44	39	53	46	40	37	33	30	16		
6	55	45	39	34	49	41	35	34	29	26	14		
7	51	41	34	30	46	37	32	30	26	23	13		
8	47	37	31	26	42	34	28	28	24	21	11		
9	44	34	28	24	40	31	26	25	21	19	10		
10	41	31	25	21	37	28	23	23	20	17	10		

Based on a floor reflectance of 0.2

### Avg. Luminance (cd/m<sup>2</sup>)

Vertical Angle	Horizontal Angle		
	0	45	90
55	1251	2814	4406
65	463	540	887
75	283	189	157
85	281	94	94

IES files for this and other photometric options can be downloaded online at [www.ledalite.com](http://www.ledalite.com)

## Additional Information

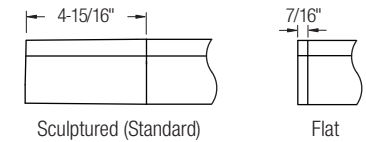
### Modules

Module length excludes endcaps.  
Nominal mount spacing for individually mounted modules.

Module	Mount Spacing
4ft	4' 0"
8ft	8' 0"
12ft*	12' 0"

\*12ft not available with Direct/Indirect

### Endcap



### Sling Mount Detail

Fixture uses 1/16" steel sling-mounted aircraft cable for horizontal leveling.



## Specifications

Due to continuing product improvements, Ledalite reserves the right to change specifications without notice.

### Housing

Die-formed 20 gauge cold-rolled steel.

### Weight

3.4 lb/ft.

### Optical System

Direct/Indirect: Constructed of 96% reflective white steel and specular aluminum to produce a direct/indirect distribution. Semi-specular louvers are aluminum and spaced 1-7/16" apart. White baffles are spaced 1-5/16" apart. Standard distribution is 70% up and 30% down. Optional field-installable Variable Optics kits provide additional downlight as required.

Semi-Indirect: Constructed of 96% reflective white steel with perforated housing and acrylic overlay to produce a semi-indirect distribution. Perforated housing available in round or slot perforation patterns.

High performance options use additional highly-specular aluminum reflectors.

### Endcaps

Available with either die-cast sculptured endcaps (standard) or flat die-cast endcaps (option).

### Joints

Self-aligning joining system with hands-free pre-joining wire access.

### Mounting

Fixture uses 1/16" steel sling-mounted aircraft cable for horizontal leveling. Aircraft cable gripper provides continuous vertical adjustment capability. Aircraft cable, crimp and cable gripper are independently tested to meet stringent safety requirements.

### Electrical

Factory pre-wired to section ends with quick-wire connectors.

### Ballast

Electronic.

### Approvals

Certified to UL and CSA standards.

### Finish

High-quality powder coat. Available in Ledalite Standard White (textured matte finish), and a selection of other factory and customer-specified colors. Consult factory for details.