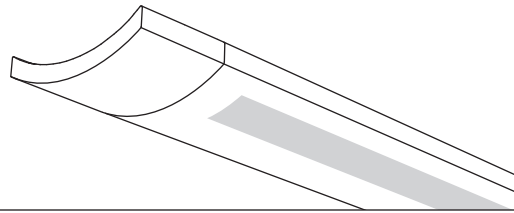


Sona™



Suspended
Semi-Indirect (High Performance)
3 T5



Project Name

Spec Type

Notes


Order Guide

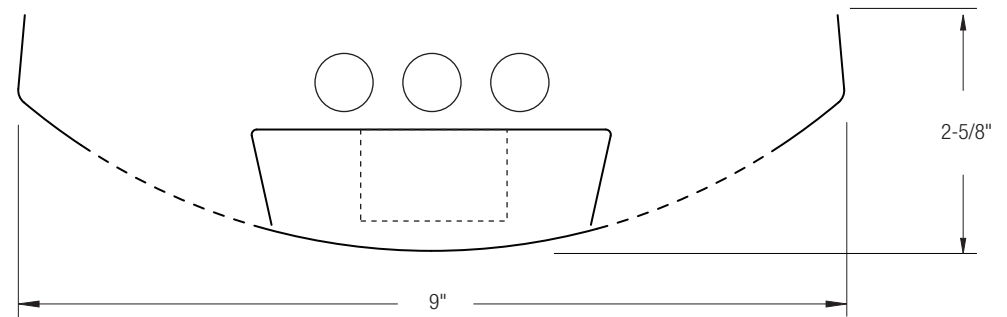
Some combinations of product options may not be available. Consult factory for assistance with your specification.

7704	F03	<input type="text"/>	<input type="text"/>	-	<input type="text"/>	-	<input type="text"/>	-	<input type="text"/>	<input type="text"/>	
Product Series & Type Sona Semi-Indirect (High Performance)	Lamping 3 T5	Lower Optics L Round Perf Housing I Slot Perf Housing	Upper Optics N None	Run Length <i>Enter the total run length in feet (4ft increments)</i>	Wiring 1 1 cct 2 2 cct 3 1 cct w/ Emergency cct 4 2 cct w/ Emergency cct 5 1 cct w/ Battery Pack 6 2 cct w/ Battery Pack 7 1 cct Dimming	Voltage 1 120V 2 277V 3 347V	Ballast E Standard Ballast Consult website for ballast manufacturer information	Color & Finish W Standard White C Factory Color X Custom Color Consult website for color and finish options	Mounting Hardware <input type="text"/> <input type="text"/> Mount Type Suspension Length Consult separate mounting spec sheet for mount type options <i>Enter distance from ceiling to top of fixture in inches</i>		
		See details on reverse	See details on reverse	See details on reverse	Consult website for complete list of standard wiring options						

Upgrades & Accessories

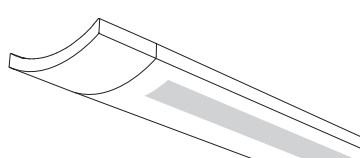
Please indicate with check mark.

<input type="checkbox"/> Lamps Included	<input type="checkbox"/> Lamps Included and Installed
<input type="checkbox"/> Flat Endcap See details on reverse	<input type="checkbox"/> Dust Cover Only available with upper optics option N 
<input type="checkbox"/> Response Daylight (Integrated Controls) For details visit www.ledalite.com/response	



Sona™

Suspended
Semi-Indirect (High Performance)
3 T5



Photometry Optics IN Slot Perf Housing

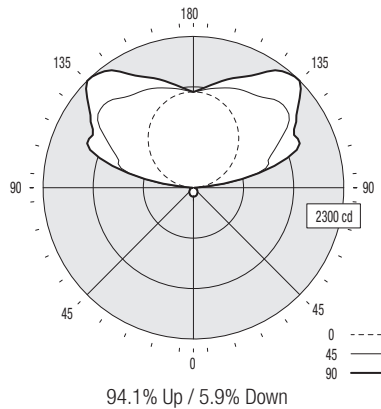
Report Summary

Report # 9900892 **Peak Candela Value*** 2297 @ 135°
Filename 7704F03IN.ies **Peak to Zenith Ratio*** 1.6 : 1
Efficiency 92.6% * Between 90-180° vertical angle

Meets RP-1-04 recommendations for VDT-Intensive spaces

Candela Distribution

Vertical Angle	Horizontal Angle					Zonal Lumens
	0	22.5	45	67.5	90	
0	135	135	135	135	135	
5	134	134	134	134	135	13
15	129	129	130	130	131	37
25	119	119	120	119	121	56
35	105	104	105	103	105	65
45	88	87	87	86	88	68
55	70	67	69	70	72	62
65	48	48	51	54	55	51
75	28	30	34	35	36	36
85	10	13	18	19	20	18
90	4	8	13	14	15	15
95	75	244	266	161	176	265
105	302	690	1145	1240	1284	992
115	533	1043	1369	1603	1762	1281
125	770	1171	1789	1863	1923	1378
135	976	1272	1850	2203	2297	1335
145	1162	1362	1705	2070	2181	1068
155	1304	1431	1652	1810	1865	751
165	1402	1467	1569	1652	1680	442
175	1451	1464	1488	1510	1511	146
180	1456	1456	1456	1456	1456	



Coefficients of Utilization (%)

Ceiling: Wall:	80				70				50				0
	70	50	30	10	70	50	30	10	50	30	10	0	
0 RCR	89	89	89	89	77	77	77	77	54	54	54	4	
1	81	77	74	70	69	66	64	64	46	45	43	3	
2	73	67	62	57	63	58	53	41	38	36	3		
3	67	59	52	47	57	51	46	36	32	30	2		
4	61	52	45	40	52	45	39	31	28	25	2		
5	56	46	39	34	48	39	34	28	24	21	1		
6	51	41	34	29	44	35	29	25	21	18	1		
7	47	36	30	25	40	31	26	22	18	16	1		
8	43	33	26	21	37	28	23	20	16	14	1		
9	40	30	23	19	34	26	20	18	14	12	1		
10	37	27	21	16	32	23	18	16	13	10	1		

Based on a floor reflectance of 0.2

Avg. Luminance (cd/m²)

Vertical Angle	Horizontal Angle		
	0	45	90
55	450	399	400
65	419	381	388
75	399	375	364
85	423	404	375

IES files for this and other photometric options can be downloaded online at www.ledalite.com

Additional Information

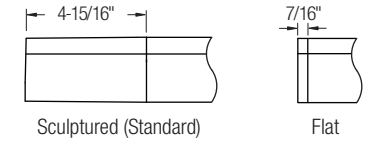
Modules

Module length excludes endcaps.
Nominal mount spacing for individually mounted modules.

Module	Mount Spacing
4ft	4' 0"
8ft	8' 0"
12ft*	12' 0"

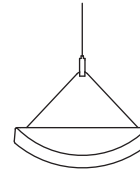
*12ft not available with Direct/Indirect

Endcap

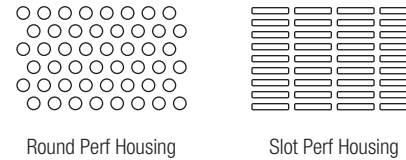


Sling Mount Detail

Fixture uses 1/16" steel sling-mounted aircraft cable for horizontal leveling.



Lower Optics



Specifications

Due to continuing product improvements, Ledalite reserves the right to change specifications without notice.

Housing

Die-formed 20 gauge cold-rolled steel.

Weight

3.4 lb/ft.

Optical System

Direct/Indirect: Constructed of 96% reflective white steel and specular aluminum to produce a direct/indirect distribution. Semi-specular louvers are aluminum and spaced 1-7/16" apart. White baffles are spaced 1-5/16" apart. Standard distribution is 70% up and 30% down. Optional field-installable Variable Optics kits provide additional downlight as required.

Semi-Indirect: Constructed of 96% reflective white steel with perforated housing and acrylic overlay to produce a semi-indirect distribution. Perforated housing available in round or slot perforation patterns.

High performance options use additional highly-specular aluminum reflectors.

Endcaps

Available with either die-cast sculptured endcaps (standard) or flat die-cast endcaps (option).

Joints

Self-aligning joining system with hands-free pre-joining wire access.

Mounting

Fixture uses 1/16" steel sling-mounted aircraft cable for horizontal leveling. Aircraft cable gripper provides continuous vertical adjustment capability. Aircraft cable, crimp and cable gripper are independently tested to meet stringent safety requirements.

Electrical

Factory pre-wired to section ends with quick-wire connectors.

Ballast

Electronic.

Approvals

Certified to UL and CSA standards.

Finish

High-quality powder coat. Available in Ledalite Standard White (textured matte finish), and a selection of other factory and customer-specified colors. Consult factory for details.