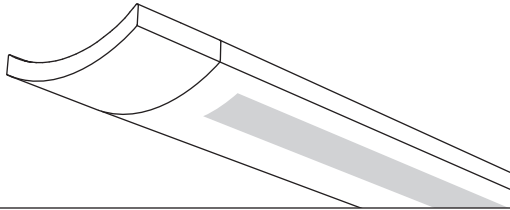


Sona™



Suspended
Semi-Indirect (High Performance)
3 T5HO



Project Name

Spec Type

Notes



Order Guide

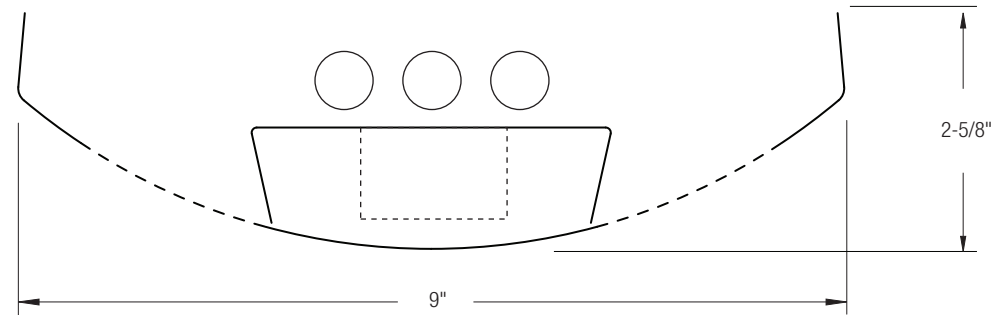
Some combinations of product options may not be available. Consult factory for assistance with your specification.

7704	H03	<input type="text"/>	<input type="text"/>	-	<input type="text"/>	-	<input type="text"/>	-	<input type="text"/>	-	<input type="text"/>
Product Series & Type Sona Semi-Indirect (High Performance)	Lamping 3 T5HO	Lower Optics L Round Perf Housing I Slot Perf Housing	Upper Optics N None	Run Length <i>Enter the total run length in feet (4ft increments)</i>	Wiring 1 1 cct 2 2 cct 3 1 cct w/ Emergency cct 4 2 cct w/ Emergency cct 5 1 cct w/ Battery Pack 6 2 cct w/ Battery Pack 7 1 cct Dimming	Voltage 1 120V 2 277V 3 347V	Ballast E Standard Ballast Consult website for ballast manufacturer information	Color & Finish W Standard White C Factory Color X Custom Color Consult website for color and finish options			
		See details on reverse	See details on reverse	See details on reverse	Consult website for complete list of standard wiring options						
						Mounting Hardware					
						<input type="text"/>		<input type="text"/>			
						Mount Type		Suspension Length <i>Enter distance from ceiling to top of fixture in inches</i>			
						Consult separate mounting spec sheet for mount type options					

Upgrades & Accessories

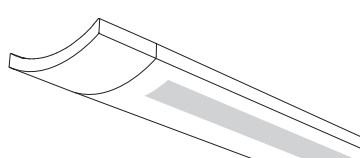
Please indicate with check mark.

<input type="checkbox"/> Lamps Included	<input checked="" type="checkbox"/> Lamps Included and Installed
<input type="checkbox"/> Flat Endcap See details on reverse	
<input type="checkbox"/> Response Daylight (Integrated Controls) For details visit www.ledalite.com/response	



Sona™

Suspended
Semi-Indirect (High Performance)
3 T5HO



Photometry Optics IN Slot Perf Housing

Report Summary

Report # 9900857
Filename 7704H03IN.ies
Efficiency 86.2%

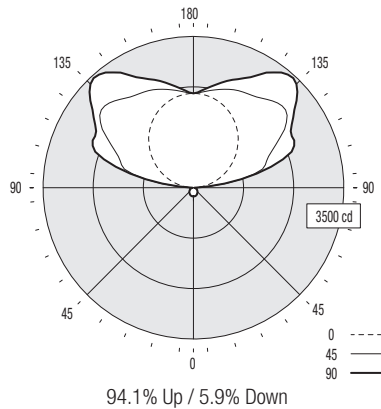
Peak Candela Value* 3440 @ 138°
Peak to Zenith Ratio* 1.6 : 1

* Between 90-180° vertical angle

Meets RP-1-04 recommendations for VDT-Intensive spaces

Candela Distribution

Vertical Angle	Horizontal Angle					Zonal Lumens
	0	22.5	45	67.5	90	
0	202	202	202	202	202	
5	201	200	201	201	201	19
15	193	193	194	194	195	56
25	178	178	179	179	180	83
35	158	155	157	155	157	98
45	132	130	131	130	134	100
55	104	101	105	106	108	94
65	73	72	78	81	82	76
75	43	45	51	52	53	52
85	15	20	26	27	28	27
90	7	12	20	22	22	
95	125	361	390	309	348	412
105	469	1025	1664	1774	1870	1457
115	821	1573	2016	2385	2589	1895
125	1153	1774	2643	2753	2836	2048
135	1465	1916	2772	3300	3391	1999
145	1738	2049	2563	3101	3256	1604
155	1950	2147	2478	2723	2798	1127
165	2095	2191	2355	2488	2518	664
175	2173	2188	2220	2255	2260	216
180	2182	2182	2182	2182	2182	



Coefficients of Utilization (%)

Ceiling:	80					70					0
	70	50	30	10	70	50	30	50	30	10	
0 RCR	83	83	83	83	71	71	71	50	50	50	4
1	75	72	68	66	64	62	59	43	42	40	3
2	68	62	57	53	58	54	50	38	35	33	2
3	62	55	49	44	53	47	42	33	30	28	2
4	57	48	42	37	48	41	36	29	26	23	2
5	52	42	36	31	44	37	31	26	22	20	1
6	47	38	31	27	41	33	27	23	19	17	1
7	44	34	27	23	37	29	24	21	17	15	1
8	40	30	24	20	34	26	21	19	15	13	1
9	37	27	21	17	32	24	19	17	13	11	1
10	35	25	19	15	30	22	17	15	12	10	0

Based on a floor reflectance of 0.2

Avg. Luminance (cd/m²)

Vertical Angle	Horizontal Angle		
	0	45	90
55	668	607	600
65	637	583	579
75	612	563	536
85	634	583	526

IES files for this and other photometric options can be downloaded online at www.ledalite.com

Additional Information

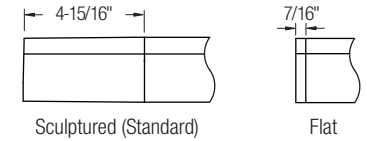
Modules

Module length excludes endcaps.
Nominal mount spacing for individually mounted modules.

Module	Mount Spacing
4ft	4' 0"
8ft	8' 0"
12ft*	12' 0"

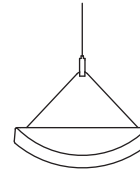
*12ft not available with Direct/Indirect

Endcap

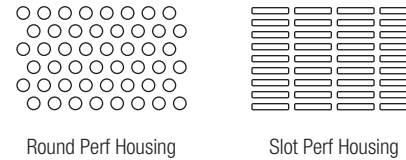


Sling Mount Detail

Fixture uses 1/16" steel sling-mounted aircraft cable for horizontal leveling.



Lower Optics



Specifications

Due to continuing product improvements, Ledalite reserves the right to change specifications without notice.

Housing

Die-formed 20 gauge cold-rolled steel.

Weight

3.4 lb/ft.

Optical System

Direct/Indirect: Constructed of 96% reflective white steel and specular aluminum to produce a direct/indirect distribution. Semi-specular louvers are aluminum and spaced 1-7/16" apart. White baffles are spaced 1-5/16" apart. Standard distribution is 70% up and 30% down. Optional field-installable Variable Optics kits provide additional downlight as required.

Semi-Indirect: Constructed of 96% reflective white steel with perforated housing and acrylic overlay to produce a semi-indirect distribution. Perforated housing available in round or slot perforation patterns.

High performance options use additional highly-specular aluminum reflectors.

Endcaps

Available with either die-cast sculptured endcaps (standard) or flat die-cast endcaps (option).

Joints

Self-aligning joining system with hands-free pre-joining wire access.

Mounting

Fixture uses 1/16" steel sling-mounted aircraft cable for horizontal leveling. Aircraft cable gripper provides continuous vertical adjustment capability. Aircraft cable, crimp and cable gripper are independently tested to meet stringent safety requirements.

Electrical

Factory pre-wired to section ends with quick-wire connectors.

Ballast

Electronic.

Approvals

Certified to UL and CSA standards.

Finish

High-quality powder coat. Available in Ledalite Standard White (textured matte finish), and a selection of other factory and customer-specified colors. Consult factory for details.