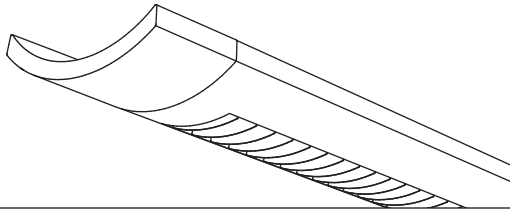


# Sona™



Suspended  
Direct/Indirect (High Performance)  
2 T8



Project Name

Spec Type

Notes


## Order Guide

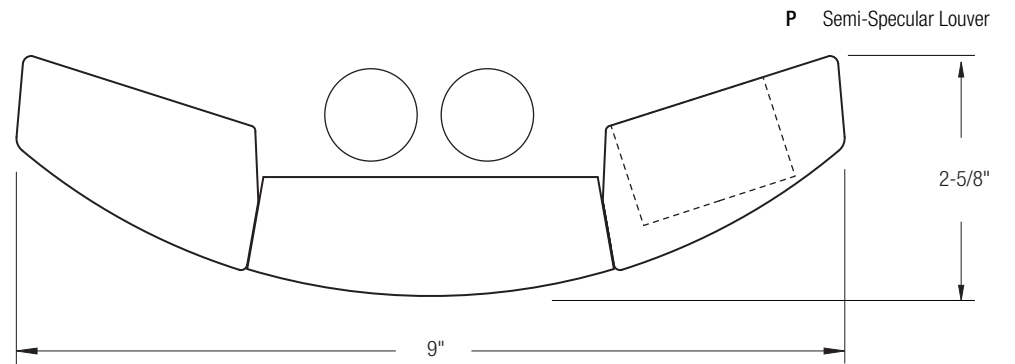
Some combinations of product options may not be available. Consult factory for assistance with your specification.

<b>7707</b>	<b>T02</b>	<input type="text"/>	<input type="text"/>	-	<input type="text"/>	-	<input type="text"/>	-	<input type="text"/>	-	<input type="text"/>
Product Series & Type Sona Direct/Indirect (High Performance)	Lamping 2 T8	Lower Optics <b>P</b> Semi-Specular Louver <b>W</b> White Louver	Upper Optics <b>N</b> None	Run Length <i>Enter the total run length in feet (4ft increments)</i>	Wiring <b>1</b> 1 cct <b>2</b> 2 cct <b>3</b> 1 cct w/ Emergency cct <b>4</b> 2 cct w/ Emergency cct <b>5</b> 1 cct w/ Battery Pack <b>6</b> 2 cct w/ Battery Pack <b>7</b> 1 cct Dimming	Voltage <b>1</b> 120V <b>2</b> 277V <b>3</b> 347V	Ballast <b>E</b> Standard Ballast  Consult website for ballast manufacturer information	Color & Finish <b>W</b> Standard White <b>C</b> Factory Color <b>X</b> Custom Color  Consult website for color and finish options			
		See details on reverse	See details on reverse	See details on reverse	Consult website for complete list of standard wiring options						
<b>Mounting Hardware</b>											
					<input type="text"/>		<input type="text"/>				
					Mount Type		Suspension Length				
					Consult separate mounting spec sheet for mount type options		Enter distance from ceiling to top of fixture in inches				

## Upgrades & Accessories

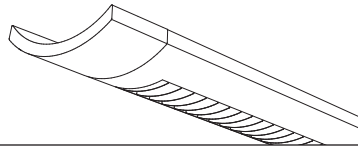
Please indicate with check mark.

<input type="checkbox"/> Lamps Included	<input type="checkbox"/> Lamps Included and Installed
<input type="checkbox"/> Flat Endcap See details on reverse	<input type="checkbox"/> Dust Cover Only available with upper optics option N 
<input type="checkbox"/> Response Daylight (Integrated Controls) For details visit <a href="http://www.ledalite.com/response">www.ledalite.com/response</a>	



# Sona™

Suspended  
Direct/Indirect (High Performance)  
2 TB



## Photometry Optics PN Semi-Specular Louver

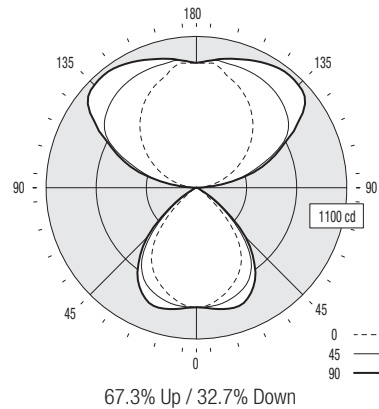
### Report Summary

**Report #** 9900832 **Peak Candela Value\*** 1063 @ 140°  
**Filename** 7707T02PN.ies **Peak to Zenith Ratio\*** 1.2 : 1  
**Efficiency** 90.6% \* Between 90-180° vertical angle

Meets RP-1-04 recommendations for VDT-Intensive spaces

### Candela Distribution

Vertical Angle	Horizontal Angle					Zonal Lumens
	0	22.5	45	67.5	90	
0	870	870	870	870	870	84
5	861	865	869	875	878	242
15	800	816	855	897	911	370
25	712	744	810	871	887	424
35	564	645	702	736	753	333
45	301	394	454	500	509	135
55	61	101	145	198	185	27
65	16	21	18	30	26	6
75	6	6	4	4	4	1
85	2	1	1	1	0	0
90	0	0	0	0	0	112
95	48	91	112	97	108	374
105	172	320	392	414	434	570
115	312	488	658	659	682	676
125	451	593	823	924	950	659
135	582	694	883	1013	1056	563
145	694	781	916	1022	1058	424
155	782	844	930	994	1017	261
165	847	887	931	961	971	89
175	909	911	925	923	926	0
180	908	908	908	908	908	



### Coefficients of Utilization (%)

Ceiling:	80				70				50				0				
	70	50	30	10	70	50	30	10	50	30	10	0	70	50	30	10	0
0 RCR	93	93	93	93	83	83	83	65	65	65	27						
1	85	82	79	76	76	74	71	58	57	55	24						
2	78	72	67	63	70	65	61	52	49	47	22						
3	72	64	58	54	64	58	53	47	43	40	19						
4	66	57	51	46	59	52	46	42	38	35	17						
5	61	51	45	40	55	47	41	38	34	30	16						
6	56	46	39	34	50	42	36	34	30	27	14						
7	52	42	35	30	47	38	32	31	27	24	13						
8	48	38	31	27	43	34	29	28	24	21	11						
9	45	34	28	24	40	31	26	26	22	19	10						
10	42	31	25	21	38	29	23	24	20	17	9						

Based on a floor reflectance of 0.2

### Avg. Luminance (cd/m<sup>2</sup>)

Vertical Angle	Horizontal Angle		
	0	45	90
55	867	2061	2629
65	309	347	501
75	189	126	126
85	187	94	0

IES files for this and other photometric options can be downloaded online at [www.ledalite.com](http://www.ledalite.com)

## Additional Information

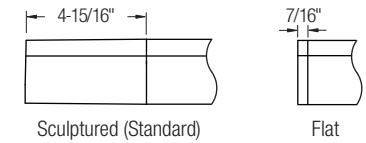
### Modules

Module length excludes endcaps.  
Nominal mount spacing for individually mounted modules.

Module	Mount Spacing
4ft	4' 0"
8ft	8' 0"
12ft*	12' 0"

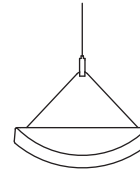
\*12ft not available with Direct/Indirect

### Endcap



### Sling Mount Detail

Fixture uses 1/16" steel sling-mounted aircraft cable for horizontal leveling.



## Specifications

Due to continuing product improvements, Ledalite reserves the right to change specifications without notice.

### Housing

Die-formed 20 gauge cold-rolled steel.

### Weight

3.4 lb/ft.

### Optical System

Direct/Indirect: Constructed of 96% reflective white steel and specular aluminum to produce a direct/indirect distribution. Semi-specular louvers are aluminum and spaced 1-7/16" apart. White baffles are spaced 1-5/16" apart. Standard distribution is 70% up and 30% down. Optional field-installable Variable Optics kits provide additional downlight as required.

Semi-Indirect: Constructed of 96% reflective white steel with perforated housing and acrylic overlay to produce a semi-indirect distribution. Perforated housing available in round or slot perforation patterns.

High performance options use additional highly-specular aluminum reflectors.

### Endcaps

Available with either die-cast sculptured endcaps (standard) or flat die-cast endcaps (option).

### Joints

Self-aligning joining system with hands-free pre-joining wire access.

### Mounting

Fixture uses 1/16" steel sling-mounted aircraft cable for horizontal leveling. Aircraft cable gripper provides continuous vertical adjustment capability. Aircraft cable, crimp and cable gripper are independently tested to meet stringent safety requirements.

### Electrical

Factory pre-wired to section ends with quick-wire connectors.

### Ballast

Electronic.

### Approvals

Certified to UL and CSA standards.

### Finish

High-quality powder coat. Available in Ledalite Standard White (textured matte finish), and a selection of other factory and customer-specified colors. Consult factory for details.