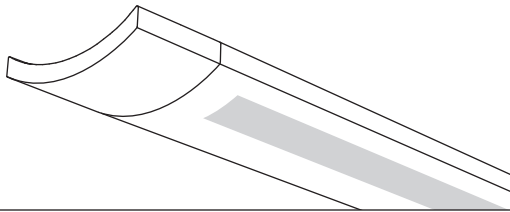


Sona™



Suspended
Semi-Indirect (High Performance)
2 T8



Project Name

Spec Type

Notes



Order Guide

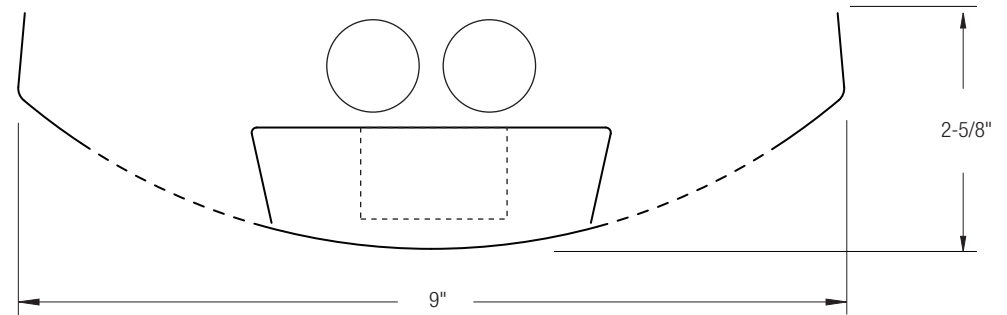
Some combinations of product options may not be available. Consult factory for assistance with your specification.

7704	T02	<input type="text"/>	<input type="text"/>	-	<input type="text"/>	-	<input type="text"/>	-	<input type="text"/>	-	<input type="text"/>
Product Series & Type Sona Semi-Indirect (High Performance)	Lamping 2 T8	Lower Optics L Round Perf Housing I Slot Perf Housing	Upper Optics N None	Run Length <i>Enter the total run length in feet (4ft increments)</i>	Wiring 1 1 cct 2 2 cct 3 1 cct w/ Emergency cct 4 2 cct w/ Emergency cct 5 1 cct w/ Battery Pack 6 2 cct w/ Battery Pack 7 1 cct Dimming	Voltage 1 120V 2 277V 3 347V	Ballast E Standard Ballast Consult website for ballast manufacturer information	Color & Finish W Standard White C Factory Color X Custom Color Consult website for color and finish options			
		See details on reverse	See details on reverse	See details on reverse	Consult website for complete list of standard wiring options						
Mounting Hardware											
				Mount Type		Suspension Length					
				Consult separate mounting spec sheet for mount type options		Enter distance from ceiling to top of fixture in inches					

Upgrades & Accessories

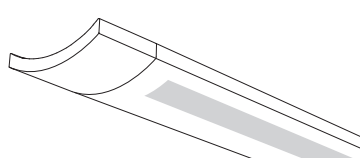
Please indicate with check mark.

<input type="checkbox"/> Lamps Included	<input type="checkbox"/> Lamps Included and Installed
<input type="checkbox"/> Flat Endcap See details on reverse	<input type="checkbox"/> Dust Cover Only available with upper optics option N
<input type="checkbox"/> Response Daylight (Integrated Controls) For details visit www.ledalite.com/response	



Sona™

Suspended
Semi-Indirect (High Performance)
2 T8



Photometry Optics IN Slot Perf Housing

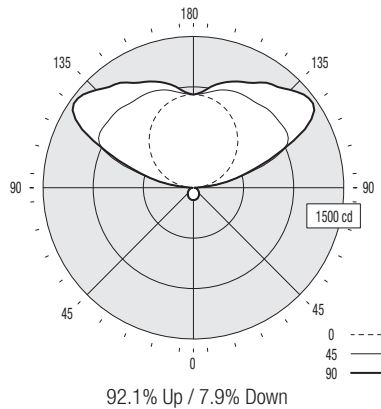
Report Summary

Report # 9900861 **Peak Candela Value*** 1457 @ 125°
Filename 7704T02IN.ies **Peak to Zenith Ratio*** 1.6 : 1
Efficiency 86.1% * Between 90-180° vertical angle

Meets RP-1-04 recommendations for VDT-Intensive spaces

Candela Distribution

Vertical Angle	Horizontal Angle					Zonal Lumens
	0	22.5	45	67.5	90	
0	122	122	122	122	122	
5	122	121	122	122	122	11
15	117	117	117	117	118	33
25	108	107	108	107	108	50
35	96	94	95	93	94	59
45	80	78	78	77	79	60
55	63	60	62	62	63	55
65	44	42	45	46	47	44
75	24	26	29	29	30	28
85	7	11	14	15	15	14
90	3	6	10	11	11	
95	64	109	137	108	121	138
105	205	493	574	527	542	523
115	357	622	1035	1092	1101	850
125	497	715	1080	1364	1457	920
135	626	795	1077	1290	1371	806
145	736	868	1046	1216	1271	647
155	824	910	1042	1130	1158	472
165	886	921	1003	1059	1074	282
175	919	927	936	951	952	91
180	923	923	923	923	923	



Coefficients of Utilization (%)

Ceiling:	80					70					50					0
	70	50	30	10	0	70	50	30	10	0	70	50	30	10	0	
0 RCR	83	83	83	83	83	72	72	72	72	72	51	51	51	51	6	
1	75	72	69	66	66	65	62	60	44	42	41	41	41	4		
2	69	63	58	54	54	59	54	50	38	36	34	34	4			
3	62	55	49	44	44	54	48	43	34	31	28	3				
4	57	48	42	37	37	49	42	37	30	26	24	2				
5	52	43	36	31	31	45	37	32	26	23	20	2				
6	48	38	31	27	27	41	33	28	23	20	17	2				
7	44	34	28	23	23	38	30	24	21	17	15	1				
8	40	31	24	20	20	35	27	21	19	15	13	1				
9	37	28	22	18	18	32	24	19	17	14	11	1				
10	35	25	19	15	15	30	22	17	16	12	10	1				

Based on a floor reflectance of 0.2

Avg. Luminance (cd/m²)

Vertical Angle	Horizontal Angle		
	0	45	90
55	405	359	350
65	384	336	332
75	342	320	303
85	296	314	282

IES files for this and other photometric options can be downloaded online at www.ledalite.com

Additional Information

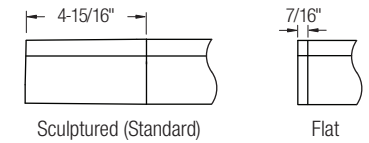
Modules

Module length excludes endcaps.
Nominal mount spacing for individually mounted modules.

Module	Mount Spacing
4ft	4' 0"
8ft	8' 0"
12ft*	12' 0"

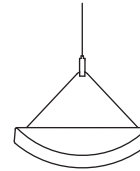
*12ft not available with Direct/Indirect

Endcap

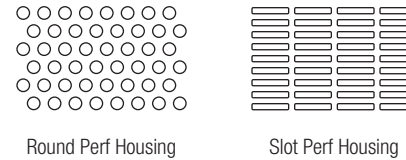


Sling Mount Detail

Fixture uses 1/16" steel sling-mounted aircraft cable for horizontal leveling.



Lower Optics



Specifications

Due to continuing product improvements, Ledalite reserves the right to change specifications without notice.

Housing

Die-formed 20 gauge cold-rolled steel.

Weight

3.4 lb/ft.

Optical System

Direct/Indirect: Constructed of 96% reflective white steel and specular aluminum to produce a direct/indirect distribution. Semi-specular louvers are aluminum and spaced 1-7/16" apart. White baffles are spaced 1-5/16" apart. Standard distribution is 70% up and 30% down. Optional field-installable Variable Optics kits provide additional downlight as required.

Semi-Indirect: Constructed of 96% reflective white steel with perforated housing and acrylic overlay to produce a semi-indirect distribution. Perforated housing available in round or slot perforation patterns.

High performance options use additional highly-specular aluminum reflectors.

Endcaps

Available with either die-cast sculptured endcaps (standard) or flat die-cast endcaps (option).

Joints

Self-aligning joining system with hands-free pre-joining wire access.

Mounting

Fixture uses 1/16" steel sling-mounted aircraft cable for horizontal leveling. Aircraft cable gripper provides continuous vertical adjustment capability. Aircraft cable, crimp and cable gripper are independently tested to meet stringent safety requirements.

Electrical

Factory pre-wired to section ends with quick-wire connectors.

Ballast

Electronic.

Approvals

Certified to UL and CSA standards.

Finish

High-quality powder coat. Available in Ledalite Standard White (textured matte finish), and a selection of other factory and customer-specified colors. Consult factory for details.