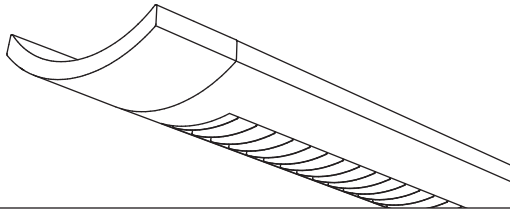


# Sona™



Suspended  
Direct/Indirect (High Performance)  
2 T5



Project Name

Spec Type

Notes


## Order Guide

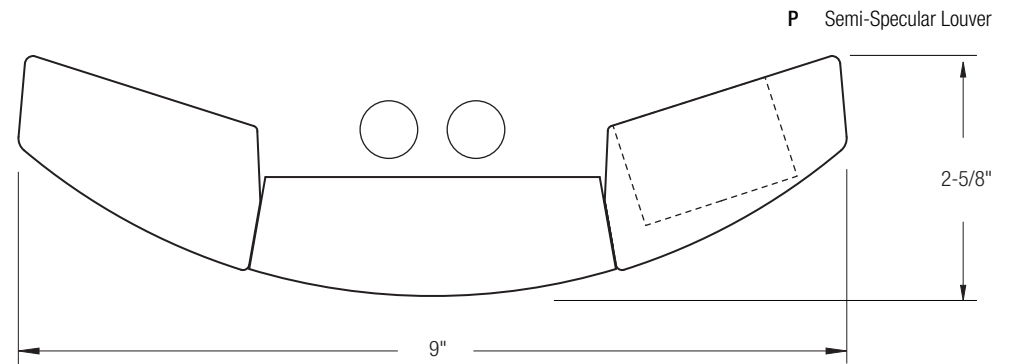
Some combinations of product options may not be available. Consult factory for assistance with your specification.

|   |   |  |                               |  |  |  |  |  |                      |   |                      |                      |                      |   |   |
|---|---|--|-------------------------------|--|--|--|--|--|----------------------|---|----------------------|----------------------|----------------------|---|---|
| <b>7707</b>   | <b>F02</b>  | <input type="text"/>   | <input type="text"/>          | -  | <input type="text"/>   | -  | <input type="text"/>   | -  | <input type="text"/> | - | <input type="text"/> |                      |                      |   |   |
| Product Series & Type<br>Sona Direct/Indirect (High Performance)          | Lamping<br>2 T5   | Lower Optics<br><b>P</b> Semi-Specular Louver<br><b>W</b> White Louver | Upper Optics<br><b>N</b> None | Run Length<br><i>Enter the total run length in feet (4ft increments)</i> | Wiring<br><b>1</b> 1 cct<br><b>2</b> 2 cct<br><b>3</b> 1 cct w/ Emergency cct<br><b>4</b> 2 cct w/ Emergency cct<br><b>5</b> 1 cct w/ Battery Pack<br><b>6</b> 2 cct w/ Battery Pack<br><b>7</b> 1 cct Dimming | Voltage<br><b>1</b> 120V<br><b>2</b> 277V<br><b>3</b> 347V   | Ballast<br><b>E</b> Standard Ballast<br><br>Consult website for ballast manufacturer information | Color & Finish<br><b>W</b> Standard White<br><b>C</b> Factory Color<br><b>X</b> Custom Color<br><br>Consult website for color and finish options |                      |   |                      |                      |                      |   |   |
|   |   | See details on reverse   | See details on reverse        | See details on reverse   | Consult website for complete list of standard wiring options   | <h3>Mounting Hardware</h3> <table border="1"> <tr> <td><input type="text"/></td> <td><input type="text"/></td> </tr> <tr> <td>Mount Type<br/>Consult separate mounting spec sheet for mount type options</td> <td>Suspension Length<br/><i>Enter distance from ceiling to top of fixture in inches</i></td> </tr> </table> |  |  |                      |   |                      | <input type="text"/> | <input type="text"/> | Mount Type<br>Consult separate mounting spec sheet for mount type options | Suspension Length<br><i>Enter distance from ceiling to top of fixture in inches</i> |
| <input type="text"/>  | <input type="text"/>  |  |                               |  |  |  |  |  |                      |   |                      |                      |                      |   |   |
| Mount Type<br>Consult separate mounting spec sheet for mount type options | Suspension Length<br><i>Enter distance from ceiling to top of fixture in inches</i> |  |                               |  |  |  |  |  |                      |   |                      |                      |                      |   |   |

## Upgrades & Accessories

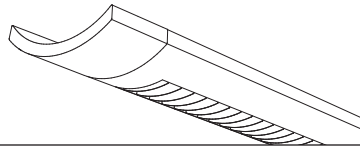
Please indicate with check mark.

|  |   |
|--|---|
| <input type="checkbox"/> Lamps Included  | <input type="checkbox"/> Lamps Included and Installed   |
| <input type="checkbox"/> Flat Endcap<br>See details on reverse   | <input type="checkbox"/> Dust Cover<br>Only available with upper optics option N<br> |
| <input type="checkbox"/> Response Daylight (Integrated Controls)<br>For details visit <a href="http://www.ledalite.com/response">www.ledalite.com/response</a> |   |



# Sona™

Suspended  
Direct/Indirect (High Performance)  
2 T5



## Photometry Optics PN Semi-Specular Louver

### Report Summary

**Report #** 9900883  
**Filename** 7707F02PN.ies  
**Efficiency** 86.4%

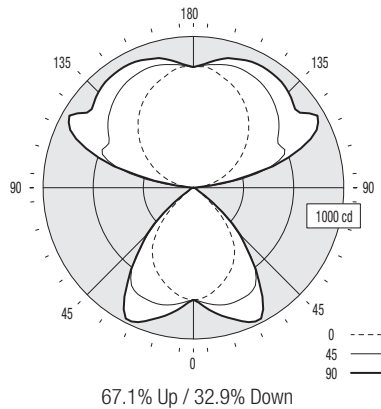
**Peak Candela Value\*** 953 @ 120°  
**Peak to Zenith Ratio\*** 1.2 : 1

\* Between 90-180° vertical angle

Meets RP-1-04 recommendations for VDT-Intensive spaces

### Candela Distribution

| Vertical Angle | Horizontal Angle |      |     |      |     | Zonal Lumens |
|----------------|------------------|------|-----|------|-----|--------------|
|                | 0                | 22.5 | 45  | 67.5 | 90  |              |
| 0              | 742              | 742  | 742 | 742  | 742 |              |
| 5              | 731              | 741  | 762 | 777  | 787 | 75           |
| 15             | 673              | 722  | 801 | 866  | 890 | 225          |
| 25             | 594              | 679  | 800 | 925  | 976 | 366          |
| 35             | 476              | 590  | 727 | 771  | 763 | 418          |
| 45             | 259              | 358  | 418 | 429  | 442 | 297          |
| 55             | 52               | 96   | 104 | 109  | 93  | 96           |
| 65             | 15               | 19   | 15  | 21   | 23  | 21           |
| 75             | 6                | 6    | 4   | 4    | 4   | 6            |
| 85             | 2                | 1    | 1   | 1    | 1   | 1            |
| 90             | 0                | 0    | 0   | 0    | 0   | 0            |
| 95             | 38               | 92   | 75  | 21   | 24  | 92           |
| 105            | 149              | 316  | 530 | 522  | 547 | 440          |
| 115            | 277              | 413  | 643 | 841  | 905 | 611          |
| 125            | 402              | 522  | 695 | 804  | 865 | 601          |
| 135            | 520              | 617  | 768 | 863  | 893 | 571          |
| 145            | 620              | 701  | 819 | 895  | 919 | 499          |
| 155            | 701              | 757  | 843 | 899  | 918 | 382          |
| 165            | 756              | 784  | 841 | 875  | 888 | 236          |
| 175            | 803              | 794  | 813 | 819  | 820 | 79           |
| 180            | 798              | 798  | 798 | 798  | 798 |              |



### Coefficients of Utilization (%)

| Ceiling: | 80 |    |    |    | 70 |    |    |    | 50 |    |    |   | 0  |    |    |    |
|----------|----|----|----|----|----|----|----|----|----|----|----|---|----|----|----|----|
|          | 70 | 50 | 30 | 10 | 70 | 50 | 30 | 10 | 50 | 30 | 10 | 0 | 70 | 50 | 30 | 10 |
| 0 RCR    | 88 | 88 | 88 | 88 | 79 | 79 | 79 | 62 | 62 | 62 | 25 |   |    |    |    |    |
| 1        | 81 | 77 | 75 | 72 | 72 | 70 | 67 | 55 | 54 | 52 | 23 |   |    |    |    |    |
| 2        | 74 | 69 | 64 | 60 | 67 | 62 | 58 | 49 | 47 | 45 | 21 |   |    |    |    |    |
| 3        | 68 | 61 | 55 | 51 | 61 | 55 | 50 | 44 | 41 | 38 | 18 |   |    |    |    |    |
| 4        | 63 | 54 | 48 | 44 | 56 | 49 | 44 | 40 | 36 | 33 | 17 |   |    |    |    |    |
| 5        | 58 | 49 | 42 | 38 | 52 | 44 | 39 | 36 | 32 | 29 | 15 |   |    |    |    |    |
| 6        | 53 | 44 | 37 | 33 | 48 | 40 | 34 | 32 | 28 | 26 | 13 |   |    |    |    |    |
| 7        | 49 | 40 | 33 | 29 | 44 | 36 | 31 | 29 | 25 | 23 | 12 |   |    |    |    |    |
| 8        | 46 | 36 | 30 | 26 | 41 | 33 | 27 | 27 | 23 | 20 | 11 |   |    |    |    |    |
| 9        | 42 | 33 | 27 | 23 | 38 | 30 | 25 | 25 | 21 | 18 | 10 |   |    |    |    |    |
| 10       | 40 | 30 | 24 | 20 | 36 | 27 | 22 | 23 | 19 | 16 | 9  |   |    |    |    |    |

Based on a floor reflectance of 0.2

### Avg. Luminance (cd/m<sup>2</sup>)

| Vertical Angle | Horizontal Angle |      |      |
|----------------|------------------|------|------|
|                | 0                | 45   | 90   |
| 55             | 739              | 1478 | 1322 |
| 65             | 289              | 289  | 444  |
| 75             | 189              | 126  | 126  |
| 85             | 187              | 94   | 94   |

IES files for this and other photometric options can be downloaded online at [www.ledalite.com](http://www.ledalite.com)

## Additional Information

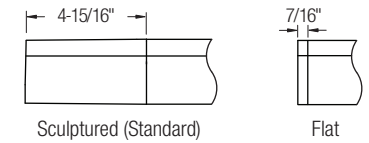
### Modules

Module length excludes endcaps.  
Nominal mount spacing for individually mounted modules.

| Module | Mount Spacing |
|--------|---------------|
| 4ft    | 4' 0"         |
| 8ft    | 8' 0"         |
| 12ft*  | 12' 0"        |

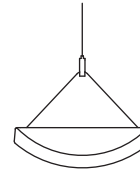
\*12ft not available with Direct/Indirect

### Endcap



### Sling Mount Detail

Fixture uses 1/16" steel sling-mounted aircraft cable for horizontal leveling.



## Specifications

Due to continuing product improvements, Ledalite reserves the right to change specifications without notice.

### Housing

Die-formed 20 gauge cold-rolled steel.

### Weight

3.4 lb/ft.

### Optical System

Direct/Indirect: Constructed of 96% reflective white steel and specular aluminum to produce a direct/indirect distribution. Semi-specular louvers are aluminum and spaced 1-7/16" apart. White baffles are spaced 1-5/16" apart. Standard distribution is 70% up and 30% down. Optional field-installable Variable Optics kits provide additional downlight as required.

Semi-Indirect: Constructed of 96% reflective white steel with perforated housing and acrylic overlay to produce a semi-indirect distribution. Perforated housing available in round or slot perforation patterns.

High performance options use additional highly-specular aluminum reflectors.

### Endcaps

Available with either die-cast sculptured endcaps (standard) or flat die-cast endcaps (option).

### Joints

Self-aligning joining system with hands-free pre-joining wire access.

### Mounting

Fixture uses 1/16" steel sling-mounted aircraft cable for horizontal leveling. Aircraft cable gripper provides continuous vertical adjustment capability. Aircraft cable, crimp and cable gripper are independently tested to meet stringent safety requirements.

### Electrical

Factory pre-wired to section ends with quick-wire connectors.

### Ballast

Electronic.

### Approvals

Certified to UL and CSA standards.

### Finish

High-quality powder coat. Available in Ledalite Standard White (textured matte finish), and a selection of other factory and customer-specified colors. Consult factory for details.