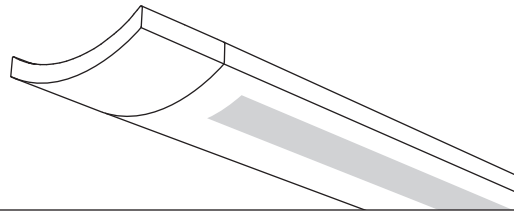


Sona™



Suspended
Semi-Indirect (High Performance)
2 T5



Project Name

Spec Type

Notes


Order Guide

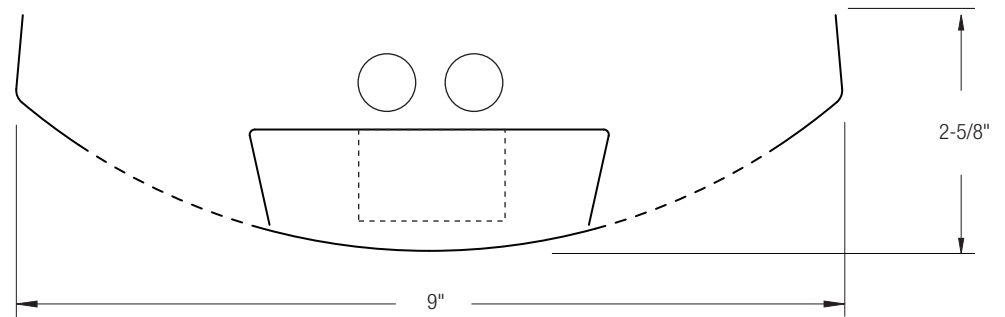
Some combinations of product options may not be available. Consult factory for assistance with your specification.

7704	F02	<input type="text"/>	<input type="text"/>	-	<input type="text"/>	-	<input type="text"/>	-	<input type="text"/>	-	<input type="text"/>
Product Series & Type Sona Semi-Indirect (High Performance)	Lamping 2 T5	Lower Optics L Round Perf Housing I Slot Perf Housing	Upper Optics N None	Run Length <i>Enter the total run length in feet (4ft increments)</i>	Wiring 1 1 cct 2 2 cct 3 1 cct w/ Emergency cct 4 2 cct w/ Emergency cct 5 1 cct w/ Battery Pack 6 2 cct w/ Battery Pack 7 1 cct Dimming	Voltage 1 120V 2 277V 3 347V	Ballast E Standard Ballast Consult website for ballast manufacturer information	Color & Finish W Standard White C Factory Color X Custom Color Consult website for color and finish options			
		See details on reverse	See details on reverse	See details on reverse	Consult website for complete list of standard wiring options						
Mounting Hardware											
				<input type="text"/>		<input type="text"/>					
				Mount Type		Suspension Length <i>Enter distance from ceiling to top of fixture in inches</i>					
				Consult separate mounting spec sheet for mount type options							

Upgrades & Accessories

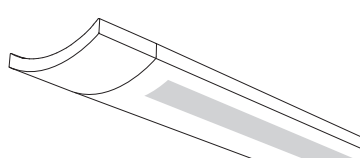
Please indicate with check mark.

<input type="checkbox"/> Lamps Included	<input type="checkbox"/> Lamps Included and Installed
<input type="checkbox"/> Flat Endcap See details on reverse	<input type="checkbox"/> Dust Cover Only available with upper optics option N 
<input type="checkbox"/> Response Daylight (Integrated Controls) For details visit www.ledalite.com/response	



Sona™

Suspended
Semi-Indirect (High Performance)
2 T5



Photometry Optics IN Slot Perf Housing

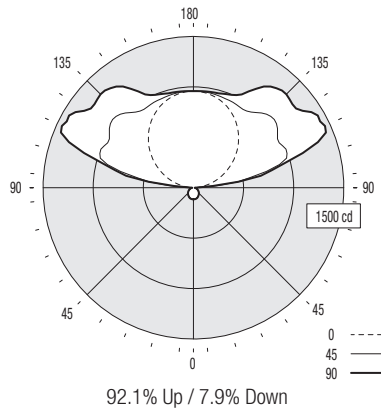
Report Summary

Report # 9900894 **Peak Candela Value*** 1449 @ 115°
Filename 7704F02IN.ies **Peak to Zenith Ratio*** 1.5 : 1
Efficiency 90.9% * Between 90-180° vertical angle

Meets RP-1-04 recommendations for VDT-Intensive spaces

Candela Distribution

Vertical Angle	Horizontal Angle					Zonal Lumens
	0	22.5	45	67.5	90	
0	115	115	115	115	115	
5	115	115	115	115	115	11
15	110	110	111	111	112	32
25	102	101	102	102	103	48
35	90	89	89	88	90	56
45	75	74	75	75	76	57
55	59	57	60	60	62	53
65	42	41	44	44	46	44
75	23	25	28	29	30	28
85	7	10	14	16	16	15
90	4	8	11	13	13	
95	55	180	252	163	193	229
105	191	482	890	905	942	746
115	343	590	982	1320	1449	933
125	496	649	1024	1221	1330	859
135	635	708	1031	1256	1311	764
145	755	796	928	1151	1225	607
155	852	871	934	987	1014	433
165	919	927	947	962	969	268
175	953	954	957	960	961	92
180	958	958	958	958	958	



Coefficients of Utilization (%)

Ceiling:	80				70				50				0
	70	50	30	10	70	50	30	10	50	30	10	0	
0 RCR	87	87	87	87	75	75	75	53	53	53	5	5	
1	79	75	72	69	68	65	63	46	44	43	4	4	
2	72	66	60	56	62	57	53	40	38	35	3	3	
3	65	58	51	46	56	50	45	35	32	29	3	3	
4	60	51	44	39	51	44	38	31	28	25	2	2	
5	54	45	38	33	47	39	33	28	24	21	2	2	
6	50	40	33	28	43	35	29	25	21	18	2	2	
7	46	36	29	24	39	31	25	22	18	16	1	1	
8	42	32	26	21	36	28	22	20	16	14	1	1	
9	39	29	23	18	34	25	20	18	14	12	1	1	
10	36	26	20	16	31	23	18	16	13	10	1	1	

Based on a floor reflectance of 0.2

Avg. Luminance (cd/m²)

Vertical Angle	Horizontal Angle		
	0	45	90
55	379	347	344
65	366	329	325
75	327	309	303
85	296	314	300

IES files for this and other photometric options can be downloaded online at www.ledalite.com

Additional Information

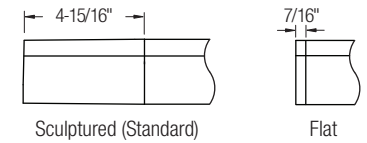
Modules

Module length excludes endcaps.
Nominal mount spacing for individually mounted modules.

Module	Mount Spacing
4ft	4' 0"
8ft	8' 0"
12ft*	12' 0"

*12ft not available with Direct/Indirect

Endcap

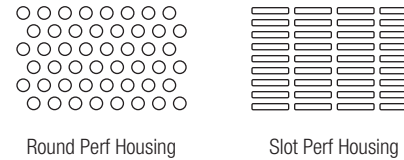


Sling Mount Detail

Fixture uses 1/16" steel sling-mounted aircraft cable for horizontal leveling.



Lower Optics



Specifications

Due to continuing product improvements, Ledalite reserves the right to change specifications without notice.

Housing

Die-formed 20 gauge cold-rolled steel.

Weight

3.4 lb/ft.

Optical System

Direct/Indirect: Constructed of 96% reflective white steel and specular aluminum to produce a direct/indirect distribution. Semi-specular louvers are aluminum and spaced 1-7/16" apart. White baffles are spaced 1-5/16" apart. Standard distribution is 70% up and 30% down. Optional field-installable Variable Optics kits provide additional downlight as required.

Semi-Indirect: Constructed of 96% reflective white steel with perforated housing and acrylic overlay to produce a semi-indirect distribution. Perforated housing available in round or slot perforation patterns.

High performance options use additional highly-specular aluminum reflectors.

Endcaps

Available with either die-cast sculptured endcaps (standard) or flat die-cast endcaps (option).

Joints

Self-aligning joining system with hands-free pre-joining wire access.

Mounting

Fixture uses 1/16" steel sling-mounted aircraft cable for horizontal leveling. Aircraft cable gripper provides continuous vertical adjustment capability. Aircraft cable, crimp and cable gripper are independently tested to meet stringent safety requirements.

Electrical

Factory pre-wired to section ends with quick-wire connectors.

Ballast

Electronic.

Approvals

Certified to UL and CSA standards.

Finish

High-quality powder coat. Available in Ledalite Standard White (textured matte finish), and a selection of other factory and customer-specified colors. Consult factory for details.