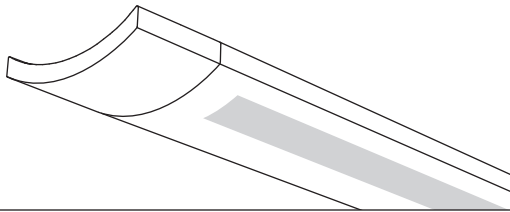


# Sona™



Suspended  
Semi-Indirect (High Performance)  
2 T5HO



Project Name

Spec Type

Notes

## Order Guide

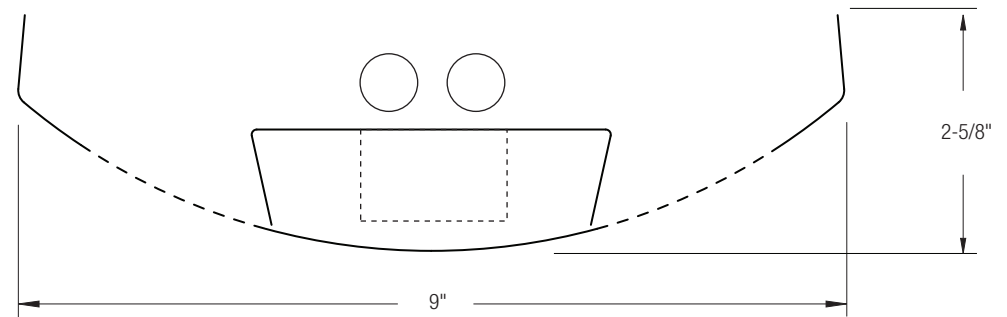
Some combinations of product options may not be available. Consult factory for assistance with your specification.

<b>7704</b>	<b>H02</b>	<input type="text"/>	<input type="text"/>	-	<input type="text"/>	-	<input type="text"/>	-	<input type="text"/>	-	<input type="text"/>				
Product Series & Type Sona Semi-Indirect (High Performance)	Lamping 2 T5HO	Lower Optics L Round Perf Housing I Slot Perf Housing	Upper Optics N None	Run Length <i>Enter the total run length in feet (4ft increments)</i>	Wiring 1 1 cct 2 2 cct 3 1 cct w/ Emergency cct 4 2 cct w/ Emergency cct 5 1 cct w/ Battery Pack 6 2 cct w/ Battery Pack 7 1 cct Dimming	Voltage 1 120V 2 277V 3 347V	Ballast E Standard Ballast  Consult website for ballast manufacturer information	Color & Finish W Standard White C Factory Color X Custom Color  Consult website for color and finish options							
		See details on reverse	See details on reverse	See details on reverse	Consult website for complete list of standard wiring options	<h3>Mounting Hardware</h3> <table border="1"> <tr> <td><input type="text"/></td> <td><input type="text"/></td> </tr> <tr> <td>Mount Type Consult separate mounting spec sheet for mount type options</td> <td>Suspension Length <i>Enter distance from ceiling to top of fixture in inches</i></td> </tr> </table>						<input type="text"/>	<input type="text"/>	Mount Type Consult separate mounting spec sheet for mount type options	Suspension Length <i>Enter distance from ceiling to top of fixture in inches</i>
<input type="text"/>	<input type="text"/>														
Mount Type Consult separate mounting spec sheet for mount type options	Suspension Length <i>Enter distance from ceiling to top of fixture in inches</i>														

## Upgrades & Accessories

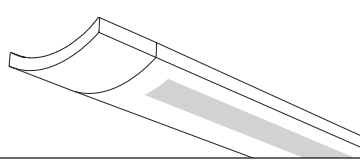
Please indicate with check mark.

<input type="checkbox"/> Lamps Included	<input checked="" type="checkbox"/> Lamps Included and Installed
<input type="checkbox"/> Flat Endcap See details on reverse	
<input type="checkbox"/> Response Daylight (Integrated Controls) For details visit <a href="http://www.ledalite.com/response">www.ledalite.com/response</a>	



# Sona™

Suspended  
Semi-Indirect (High Performance)  
2 T5HO



## Photometry Optics LN Round Perf Housing

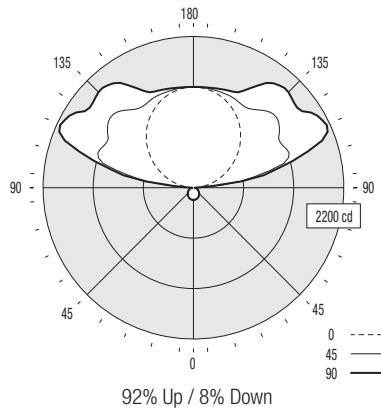
### Report Summary

**Report #** 9900859 **Peak Candela Value\*** 2153 @ 115°  
**Filename** 7704H02LN.ies **Peak to Zenith Ratio\*** 1.5 : 1  
**Efficiency** 85.9% \* Between 90-180° vertical angle

Meets RP-1-04 recommendations for VDT-Intensive spaces

### Candela Distribution

Vertical Angle	Horizontal Angle					Zonal Lumens
	0	22.5	45	67.5	90	
0	177	177	177	177	177	
5	176	176	176	176	176	16
15	169	169	170	170	171	48
25	156	156	157	157	158	72
35	138	137	138	136	139	86
45	116	114	115	114	118	88
55	91	89	92	92	95	82
65	63	63	67	68	70	66
75	35	38	43	44	46	43
85	11	16	22	24	24	22
90	5	10	16	19	19	
95	82	298	383	250	281	357
105	299	719	1370	1437	1504	1144
115	529	896	1446	1979	2153	1393
125	759	986	1535	1810	1941	1283
135	974	1077	1563	1889	1965	1156
145	1160	1219	1407	1751	1861	923
155	1303	1334	1427	1497	1531	659
165	1404	1415	1449	1479	1488	410
175	1457	1459	1464	1468	1469	142
180	1465	1465	1465	1465	1465	



### Coefficients of Utilization (%)

Ceiling: Wall:	80				70				50				0
	70	50	30	10	70	50	30	10	50	30	10	0	
0 RCR	82	82	82	82	71	71	71	50	50	50	5	5	
1	75	71	68	65	65	62	59	44	42	41	4	4	
2	68	62	57	53	59	54	50	38	36	33	3	3	
3	62	54	49	44	53	47	42	33	30	28	3	3	
4	56	48	42	37	48	42	36	29	26	23	2	2	
5	52	42	36	31	44	37	31	26	23	20	2	2	
6	47	38	31	27	41	33	27	23	20	17	2	2	
7	43	34	27	23	37	29	24	21	17	15	1	1	
8	40	30	24	20	34	26	21	19	15	13	1	1	
9	37	27	21	17	32	24	19	17	14	11	1	1	
10	34	25	19	15	30	22	17	15	12	10	1	1	

Based on a floor reflectance of 0.2

### Avg. Luminance (cd/m²)

Vertical Angle	Horizontal Angle		
	0	45	90
55	585	532	528
65	549	501	494
75	498	475	465
85	465	493	450

IES files for this and other photometric options can be downloaded online at [www.ledalite.com](http://www.ledalite.com)

## Additional Information

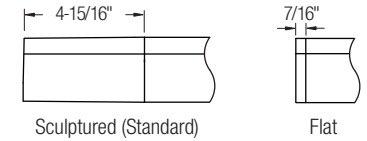
### Modules

Module length excludes endcaps.  
Nominal mount spacing for individually mounted modules.

Module	Mount Spacing
4ft	4' 0"
8ft	8' 0"
12ft*	12' 0"

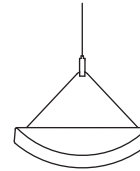
\*12ft not available with Direct/Indirect

### Endcap

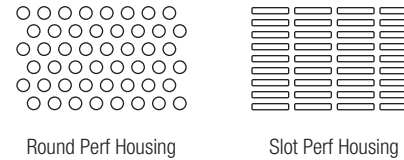


### Sling Mount Detail

Fixture uses 1/16" steel sling-mounted aircraft cable for horizontal leveling.



### Lower Optics



## Specifications

Due to continuing product improvements, Ledalite reserves the right to change specifications without notice.

### Housing

Die-formed 20 gauge cold-rolled steel.

### Weight

3.4 lb/ft.

### Optical System

Direct/Indirect: Constructed of 96% reflective white steel and specular aluminum to produce a direct/indirect distribution. Semi-specular louvers are aluminum and spaced 1-7/16" apart. White baffles are spaced 1-5/16" apart. Standard distribution is 70% up and 30% down. Optional field-installable Variable Optics kits provide additional downlight as required.

Semi-Indirect: Constructed of 96% reflective white steel with perforated housing and acrylic overlay to produce a semi-indirect distribution. Perforated housing available in round or slot perforation patterns.

High performance options use additional highly-specular aluminum reflectors.

### Endcaps

Available with either die-cast sculptured endcaps (standard) or flat die-cast endcaps (option).

### Joints

Self-aligning joining system with hands-free pre-joining wire access.

### Mounting

Fixture uses 1/16" steel sling-mounted aircraft cable for horizontal leveling. Aircraft cable gripper provides continuous vertical adjustment capability. Aircraft cable, crimp and cable gripper are independently tested to meet stringent safety requirements.

### Electrical

Factory pre-wired to section ends with quick-wire connectors.

### Ballast

Electronic.

### Approvals

Certified to UL and CSA standards.

### Finish

High-quality powder coat. Available in Ledalite Standard White (textured matte finish), and a selection of other factory and customer-specified colors. Consult factory for details.