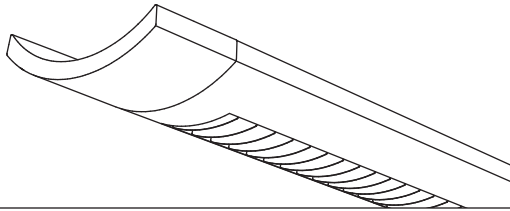


Sona™



Suspended
 Direct/Indirect (High Performance)
 1 T5HO



Project Name

Spec Type

Notes



Order Guide

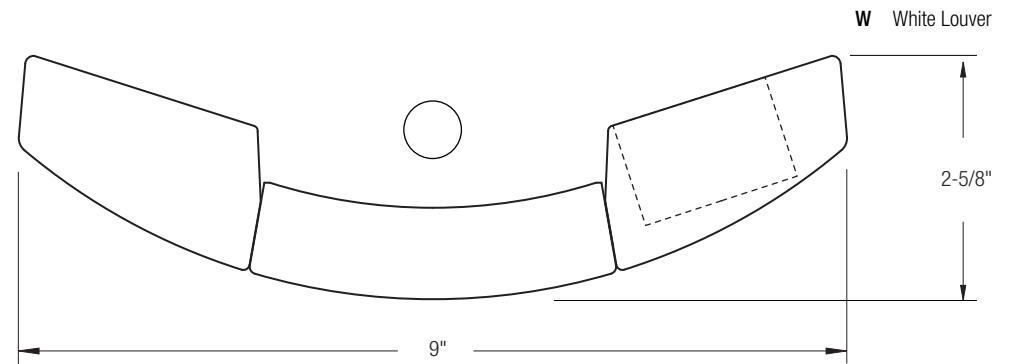
Some combinations of product options may not be available. Consult factory for assistance with your specification.

7707	H01			-		-		-	
Product Series & Type Sona Direct/Indirect (High Performance)	Lamping 1 T5HO	Lower Optics P Semi-Specular Louver W White Louver	Upper Optics N None	Run Length <i>Enter the total run length in feet (4ft increments)</i>	Wiring 1 1 cct 3 1 cct w/ Emergency cct 5 1 cct w/ Battery Pack 7 1 cct Dimming	Voltage 1 120V 2 277V 3 347V	Ballast E Standard Ballast Consult website for ballast manufacturer information	Color & Finish W Standard White C Factory Color X Custom Color Consult website for color and finish options	
		See details on reverse	See details on reverse	See details on reverse	Consult website for complete list of standard wiring options				
Mounting Hardware									
				Mount Type		Suspension Length			
				Consult separate mounting spec sheet for mount type options		<i>Enter distance from ceiling to top of fixture in inches</i>			

Upgrades & Accessories

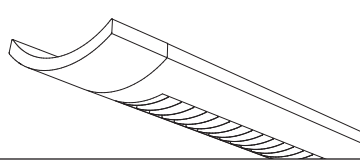
Please indicate with check mark.

<input type="checkbox"/> Lamps Included	<input checked="" type="checkbox"/> Lamps Included and Installed
<input type="checkbox"/> Flat Endcap See details on reverse	
<input type="checkbox"/> Response Daylight (Integrated Controls) For details visit www.ledalite.com/response	



Sona™

Suspended
Direct/Indirect (High Performance)
1 T5HO



Photometry Optics WN White Louver

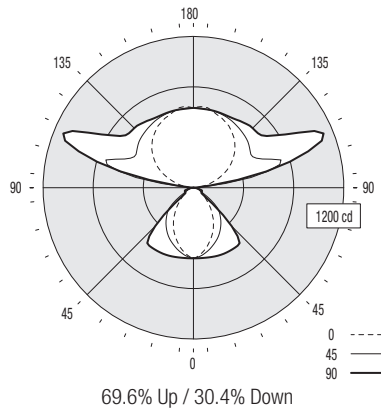
Report Summary

Report # 9900937 **Peak Candela Value*** 1124 @ 113°
Filename 7707H01WN.ies **Peak to Zenith Ratio*** 1.8 : 1
Efficiency 90.7% * Between 90-180° vertical angle

Meets RP-1-04 recommendations for VDT-Intensive spaces

Candela Distribution

Vertical Angle	Horizontal Angle					Zonal Lumens
	0	22.5	45	67.5	90	
0	560	560	560	560	560	
5	538	545	548	557	561	53
15	462	479	504	546	569	144
25	372	393	449	529	577	213
35	264	301	379	499	580	250
45	160	203	299	429	432	228
55	94	108	169	115	84	115
65	59	62	60	62	74	63
75	30	30	28	37	55	36
85	8	7	6	8	9	10
90	0	0	0	0	0	
95	30	117	56	17	33	111
105	145	272	714	707	797	549
115	271	338	555	960	1065	617
125	380	422	547	662	715	494
135	468	497	580	649	668	443
145	536	553	601	641	647	375
155	585	593	620	635	631	284
165	622	617	629	634	631	176
175	646	626	633	632	630	62
180	633	633	633	633	633	



Coefficients of Utilization (%)

Ceiling:	80				70				50				0
	70	50	30	10	70	50	30	10	50	30	10	0	
0 RCR	91	91	91	91	81	81	81	63	63	63	23		
1	84	80	77	74	74	72	69	56	54	52	21		
2	76	70	65	61	68	63	59	49	46	44	18		
3	70	62	56	51	62	56	51	44	40	37	16		
4	64	55	48	43	57	49	44	39	35	32	14		
5	59	49	42	37	52	44	38	35	31	28	12		
6	54	44	37	32	48	40	34	31	27	24	11		
7	50	40	33	28	45	36	30	28	24	21	10		
8	46	36	29	25	41	32	27	26	22	19	9		
9	43	33	26	22	38	29	24	24	20	17	8		
10	40	30	24	19	36	27	22	22	18	15	7		

Based on a floor reflectance of 0.2

Avg. Luminance (cd/m²)

Vertical Angle	Horizontal Angle		
	0	45	90
55	1336	2402	1194
65	1138	1157	1427
75	945	882	1732
85	748	561	842

IES files for this and other photometric options can be downloaded online at www.ledalite.com

Additional Information

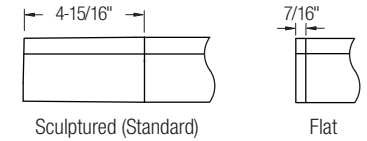
Modules

Module length excludes endcaps.
Nominal mount spacing for individually mounted modules.

Module	Mount Spacing
4ft	4' 0"
8ft	8' 0"
12ft*	12' 0"

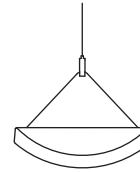
*12ft not available with Direct/Indirect

Endcap



Sling Mount Detail

Fixture uses 1/16" steel sling-mounted aircraft cable for horizontal leveling.



Specifications

Due to continuing product improvements, Ledalite reserves the right to change specifications without notice.

Housing

Die-formed 20 gauge cold-rolled steel.

Weight

3.4 lb/ft.

Optical System

Direct/Indirect: Constructed of 96% reflective white steel and specular aluminum to produce a direct/indirect distribution. Semi-specular louvers are aluminum and spaced 1-7/16" apart. White baffles are spaced 1-5/16" apart. Standard distribution is 70% up and 30% down. Optional field-installable Variable Optics kits provide additional downlight as required.

Semi-Indirect: Constructed of 96% reflective white steel with perforated housing and acrylic overlay to produce a semi-indirect distribution. Perforated housing available in round or slot perforation patterns.

High performance options use additional highly-specular aluminum reflectors.

Endcaps

Available with either die-cast sculptured endcaps (standard) or flat die-cast endcaps (option).

Joints

Self-aligning joining system with hands-free pre-joining wire access.

Mounting

Fixture uses 1/16" steel sling-mounted aircraft cable for horizontal leveling. Aircraft cable gripper provides continuous vertical adjustment capability. Aircraft cable, crimp and cable gripper are independently tested to meet stringent safety requirements.

Electrical

Factory pre-wired to section ends with quick-wire connectors.

Ballast

Electronic.

Approvals

Certified to UL and CSA standards.

Finish

High-quality powder coat. Available in Ledalite Standard White (textured matte finish), and a selection of other factory and customer-specified colors. Consult factory for details.