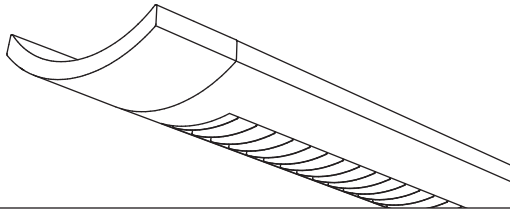


# Sona™



Suspended  
 Direct/Indirect (High Performance)  
 1 T5HO



Project Name

Spec Type

Notes



## Order Guide

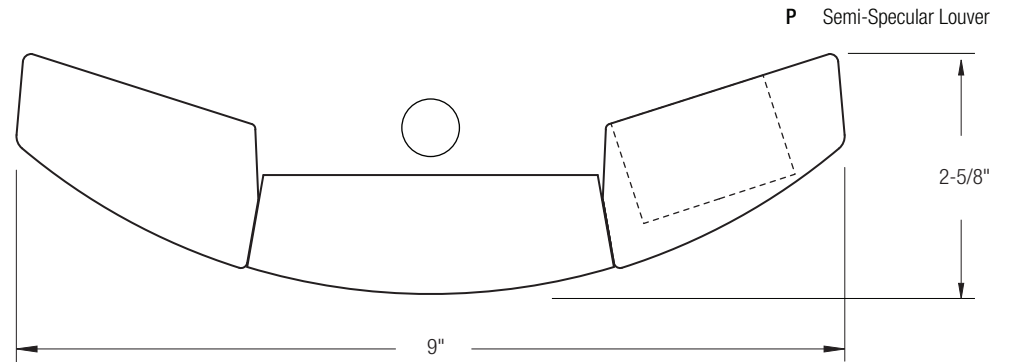
Some combinations of product options may not be available. Consult factory for assistance with your specification.

<b>7707</b>	<b>H01</b>			-		-		-	
Product Series & Type Sona Direct/Indirect (High Performance)	Lamping 1 T5HO	Lower Optics <b>P</b> Semi-Specular Louver <b>W</b> White Louver	Upper Optics <b>N</b> None	Run Length <i>Enter the total run length in feet (4ft increments)</i>	Wiring <b>1</b> 1 cct <b>3</b> 1 cct w/ Emergency cct <b>5</b> 1 cct w/ Battery Pack <b>7</b> 1 cct Dimming	Voltage <b>1</b> 120V <b>2</b> 277V <b>3</b> 347V	Ballast <b>E</b> Standard Ballast  Consult website for ballast manufacturer information	Color & Finish <b>W</b> Standard White <b>C</b> Factory Color <b>X</b> Custom Color  Consult website for color and finish options	
		See details on reverse	See details on reverse	See details on reverse	Consult website for complete list of standard wiring options				
<b>Mounting Hardware</b>									
				Mount Type	Suspension Length <i>Enter distance from ceiling to top of fixture in inches</i>				
				Consult separate mounting spec sheet for mount type options					

## Upgrades & Accessories

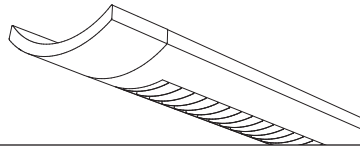
Please indicate with check mark.

<input type="checkbox"/> Lamps Included	<input checked="" type="checkbox"/> Lamps Included and Installed
<input type="checkbox"/> Flat Endcap See details on reverse	
<input type="checkbox"/> Response Daylight (Integrated Controls) For details visit <a href="http://www.ledalite.com/response">www.ledalite.com/response</a>	



# Sona™

Suspended  
Direct/Indirect (High Performance)  
1 T5HO



## Photometry Optics PN Semi-Specular Louver

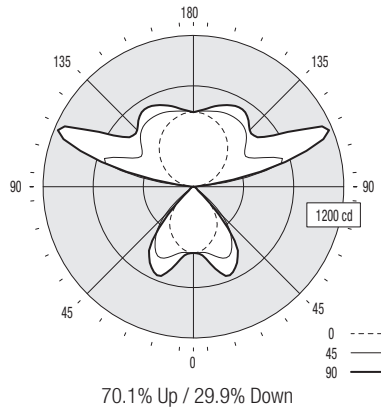
### Report Summary

Report # 9900853 Peak Candela Value\* 1172 @ 113°  
 Filename 7707H01PN.ies Peak to Zenith Ratio\* 2 : 1  
 Efficiency 88.4% \* Between 90-180° vertical angle

Meets RP-1-04 recommendations for VDT-Intensive spaces

### Candela Distribution

Vertical Angle	Horizontal Angle					Zonal Lumens
	0	22.5	45	67.5	90	
0	526	526	526	526	526	
5	519	521	525	530	534	52
15	474	490	557	635	673	161
25	412	471	622	726	747	273
35	325	431	533	596	619	311
45	176	247	334	262	190	197
55	37	65	52	28	37	48
65	10	14	10	19	22	15
75	4	4	2	2	2	4
85	1	1	0	0	0	0
90	0	0	0	0	0	0
95	35	118	73	18	23	109
105	113	273	727	726	760	547
115	205	306	537	966	1133	606
125	297	400	500	622	689	459
135	384	471	596	624	635	426
145	462	524	636	704	721	384
155	522	561	638	695	712	290
165	562	582	619	653	661	175
175	589	590	603	606	607	59
180	591	591	591	591	591	



### Coefficients of Utilization (%)

Ceiling:	80				70				50				0				
	70	50	30	10	70	50	30	10	50	30	10	0	70	50	30	10	0
0 RCR	89	89	89	89	79	79	79	61	61	61	22						
1	82	78	75	73	73	70	68	55	53	52	20						
2	75	69	65	61	67	62	58	49	46	44	18						
3	69	62	56	51	61	55	51	44	40	38	16						
4	63	55	49	44	56	49	44	39	36	33	15						
5	58	49	43	38	52	44	39	35	31	28	13						
6	54	44	38	33	48	40	34	32	28	25	12						
7	50	40	33	29	44	36	31	29	25	22	11						
8	46	36	30	26	41	33	27	26	22	20	10						
9	43	33	27	23	38	30	25	24	20	18	9						
10	40	30	24	20	36	27	22	22	18	16	8						

Based on a floor reflectance of 0.2

### Avg. Luminance (cd/m²)

Vertical Angle	Horizontal Angle		
	0	45	90
55	526	739	526
65	193	193	424
75	126	63	63
85	94	0	0

IES files for this and other photometric options can be downloaded online at [www.ledalite.com](http://www.ledalite.com)

## Additional Information

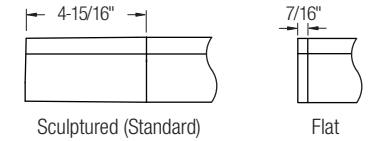
### Modules

Module length excludes endcaps.  
Nominal mount spacing for individually mounted modules.

Module	Mount Spacing
4ft	4' 0"
8ft	8' 0"
12ft*	12' 0"

\*12ft not available with Direct/Indirect

### Endcap



### Sling Mount Detail

Fixture uses 1/16" steel sling-mounted aircraft cable for horizontal leveling.



## Specifications

Due to continuing product improvements, Ledalite reserves the right to change specifications without notice.

### Housing

Die-formed 20 gauge cold-rolled steel.

### Weight

3.4 lb/ft.

### Optical System

Direct/Indirect: Constructed of 96% reflective white steel and specular aluminum to produce a direct/indirect distribution. Semi-specular louvers are aluminum and spaced 1-7/16" apart. White baffles are spaced 1-5/16" apart. Standard distribution is 70% up and 30% down. Optional field-installable Variable Optics kits provide additional downlight as required.

Semi-Indirect: Constructed of 96% reflective white steel with perforated housing and acrylic overlay to produce a semi-indirect distribution. Perforated housing available in round or slot perforation patterns.

High performance options use additional highly-specular aluminum reflectors.

### Endcaps

Available with either die-cast sculptured endcaps (standard) or flat die-cast endcaps (option).

### Joints

Self-aligning joining system with hands-free pre-joining wire access.

### Mounting

Fixture uses 1/16" steel sling-mounted aircraft cable for horizontal leveling. Aircraft cable gripper provides continuous vertical adjustment capability. Aircraft cable, crimp and cable gripper are independently tested to meet stringent safety requirements.

### Electrical

Factory pre-wired to section ends with quick-wire connectors.

### Ballast

Electronic.

### Approvals

Certified to UL and CSA standards.

### Finish

High-quality powder coat. Available in Ledalite Standard White (textured matte finish), and a selection of other factory and customer-specified colors. Consult factory for details.