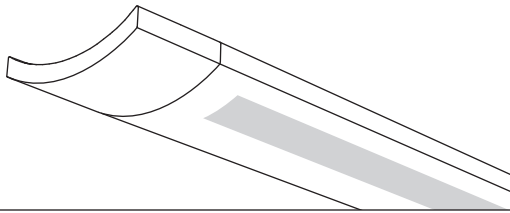


Sona™



Suspended
Semi-Indirect (High Performance)
1 T5HO



Project Name

Spec Type

Notes

Order Guide

Some combinations of product options may not be available. Consult factory for assistance with your specification.

7704	H01			-		-		-	
Product Series & Type Sona Semi-Indirect (High Performance)	Lamping 1 T5HO	Lower Optics L Round Perf Housing I Slot Perf Housing	Upper Optics N None	Run Length <i>Enter the total run length in feet (4ft increments)</i>	Wiring 1 1 cct 3 1 cct w/ Emergency cct 5 1 cct w/ Battery Pack 7 1 cct Dimming	Voltage 1 120V 2 277V 3 347V	Ballast E Standard Ballast Consult website for ballast manufacturer information	Color & Finish W Standard White C Factory Color X Custom Color Consult website for color and finish options	
		See details on reverse	See details on reverse	See details on reverse	Consult website for complete list of standard wiring options				

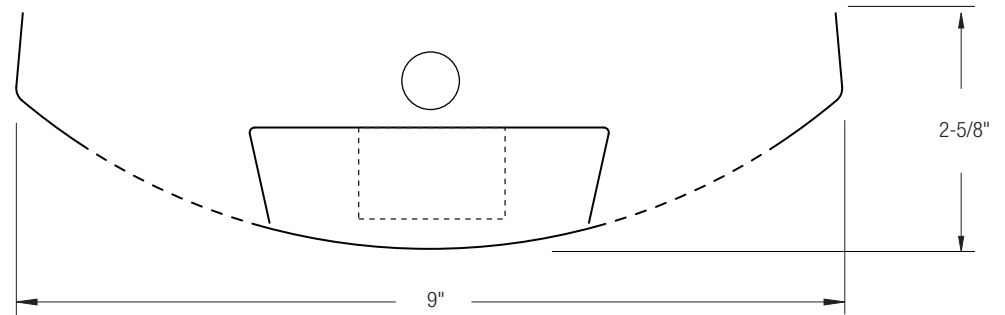
Mounting Hardware

<input type="text"/>	<input type="text"/>
Mount Type Consult separate mounting spec sheet for mount type options	Suspension Length <i>Enter distance from ceiling to top of fixture in inches</i>

Upgrades & Accessories

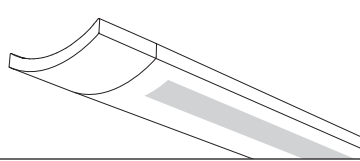
Please indicate with check mark.

<input type="checkbox"/> Lamps Included	<input checked="" type="checkbox"/> Lamps Included and Installed
<input type="checkbox"/> Flat Endcap See details on reverse	
<input type="checkbox"/> Response Daylight (Integrated Controls) For details visit www.ledalite.com/response	



Sona™

Suspended
Semi-Indirect (High Performance)
1 T5HO



Photometry Optics LN Round Perf Housing

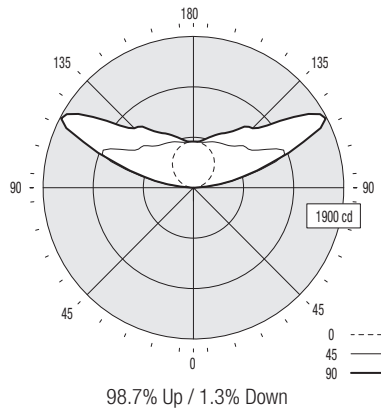
Report Summary

Report # 9900855 **Peak Candela Value*** 1885 @ 118°
Filename 7704H01LN.ies **Peak to Zenith Ratio*** 3.3 : 1
Efficiency 91.9% * Between 90-180° vertical angle

Meets RP-1-04 recommendations for VDT-Intensive spaces

Candela Distribution

Vertical Angle	Horizontal Angle					Zonal Lumens
	0	22.5	45	67.5	90	
0	9	9	9	9	9	0
5	9	9	9	9	9	4
15	9	9	10	9	9	4
25	9	9	9	10	10	4
35	8	8	9	9	9	4
45	8	8	9	8	8	8
55	7	7	8	8	8	8
65	6	6	7	7	7	8
75	5	5	5	5	4	5
85	4	3	4	4	3	4
90	2	3	6	5	4	
95	39	175	206	147	164	190
105	107	535	885	806	833	707
115	194	444	1156	1675	1773	1017
125	284	455	846	1345	1550	806
135	371	485	738	1003	1056	574
145	452	514	669	814	867	419
155	513	538	634	717	742	292
165	555	560	592	631	639	170
175	577	578	580	581	581	57
180	580	580	580	580	580	



Coefficients of Utilization (%)

Ceiling:	80				70				50				0
	70	50	30	10	70	50	30	10	50	30	10	0	
0 RCR	87	87	87	87	75	75	75	51	51	51	0	0	
1	79	76	72	69	68	65	62	44	43	41	0	0	
2	72	66	61	56	61	56	52	39	36	34	0	0	
3	66	58	52	47	56	50	45	34	31	28	0	0	
4	60	51	44	39	51	44	38	30	27	24	0	0	
5	55	45	38	33	46	39	33	27	23	20	0	0	
6	50	40	33	28	43	34	29	24	20	17	0	0	
7	46	36	29	24	39	31	25	21	18	15	0	0	
8	42	32	26	21	36	28	22	19	15	13	0	0	
9	39	29	23	18	33	25	20	17	14	11	0	0	
10	36	26	20	16	31	23	17	16	12	10	0	0	

Based on a floor reflectance of 0.2

Avg. Luminance (cd/m²)

Vertical Angle	Horizontal Angle		
	0	45	90
55	45	46	44
65	52	52	49
75	71	55	40
85	169	90	56

IES files for this and other photometric options can be downloaded online at www.ledalite.com

Additional Information

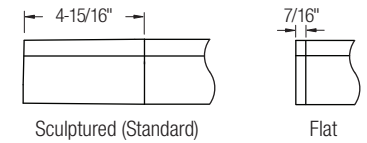
Modules

Module length excludes endcaps.
Nominal mount spacing for individually mounted modules.

Module	Mount Spacing
4ft	4' 0"
8ft	8' 0"
12ft*	12' 0"

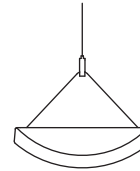
*12ft not available with Direct/Indirect

Endcap

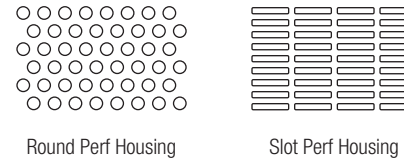


Sling Mount Detail

Fixture uses 1/16" steel sling-mounted aircraft cable for horizontal leveling.



Lower Optics



Specifications

Due to continuing product improvements, Ledalite reserves the right to change specifications without notice.

Housing

Die-formed 20 gauge cold-rolled steel.

Weight

3.4 lb/ft.

Optical System

Direct/Indirect: Constructed of 96% reflective white steel and specular aluminum to produce a direct/indirect distribution. Semi-specular louvers are aluminum and spaced 1-7/16" apart. White baffles are spaced 1-5/16" apart. Standard distribution is 70% up and 30% down. Optional field-installable Variable Optics kits provide additional downlight as required.

Semi-Indirect: Constructed of 96% reflective white steel with perforated housing and acrylic overlay to produce a semi-indirect distribution. Perforated housing available in round or slot perforation patterns.

High performance options use additional highly-specular aluminum reflectors.

Endcaps

Available with either die-cast sculptured endcaps (standard) or flat die-cast endcaps (option).

Joints

Self-aligning joining system with hands-free pre-joining wire access.

Mounting

Fixture uses 1/16" steel sling-mounted aircraft cable for horizontal leveling. Aircraft cable gripper provides continuous vertical adjustment capability. Aircraft cable, crimp and cable gripper are independently tested to meet stringent safety requirements.

Electrical

Factory pre-wired to section ends with quick-wire connectors.

Ballast

Electronic.

Approvals

Certified to UL and CSA standards.

Finish

High-quality powder coat. Available in Ledalite Standard White (textured matte finish), and a selection of other factory and customer-specified colors. Consult factory for details.