



Linear

Sona suspended (2LC Up/Dn) LED

8200 lm/4ft 60%-70% Up
3000/3500/4000K



Project: _____
 Spec Type: _____
 Catalog No: 7725LxYVA _____
 Qty _____
 Line Notes: _____

Incredible efficacy & boundless lighting choices mean the re-engineered Sona suspended LED is destined to become a future classic. Flexible up/down distributions and tailored LED optics mean you always have the right light for every task.

Ordering guide

Product Type	Source	Color Temp *	Lumens *	Lower Optics	Upper Optics	Run Length	Wiring †	Voltage	Driver	Finish
<input type="text" value="7725"/>	<input type="text" value="L"/>	<input type="text"/>	<input type="text" value="Y"/>	<input type="text" value="V"/>	<input type="text" value="A"/>	<input type="text"/>	<input type="text"/>	<input type="text"/>	<input type="text"/>	<input type="text"/>
Sona 2LC suspended Indirect/Direct	L LED	A 4000K B 3500K C 3000K	Y 8200 lm/4ft (60% Up) A 7000 lm/4ft (70% Up) B 5500 lm/4ft (60% Up) C 4600 lm/4ft (70% Up) E 3500 lm/4ft (65% Up)	V White Louver A Curved Acrylic Diffuser	A Acrylic Diffuser	04 4' 08 8' XX Total run length (4' increments)	G 2 cct Up/Dn Dimming K 2 cct Up/Dn Dimming + EM Wiring L 2 cct Up/Dn Dimming + EM batt. pack	1 120V 2 277V 3 347V	E Philips Advance 0-10V	W Standard White T Titanium Silver B Black C Custom

* Nominal values within a range. Down kits reduce output & efficacy. Consult photometry data for exact color temp, lumens & distribution.

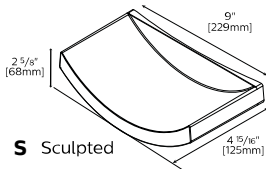
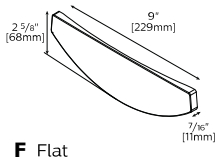
† Not all wiring types are available with all configurations. Consult Philips Ledalite for a complete list of available options.

Mounting Hardware

Mount Type
Consult separate mounting spec sheet for mount type options

Suspension Length
Distance from ceiling to top of luminaire in inches

Endcaps -



Integrated Controls Please indicate with check mark.

- Response Daylight Single Zone (DS)
- Actilume Occupancy with Field-enabled Daylight (DO)



Sona suspended (2LC Up/Dn) LED

8200 lm/4ft 60%-70% Up

3000/3500/4000K

Optical System

1 Light Chamber Upper: Lateral-facing LED arrays deliver light into both the upper and lower hemispheres, giving a highly efficient, native 70% up / 30% down distribution with a wide, homogeneous upper batwing distribution. A fully indirect version with a solid lower housing can be specified, as well as a 50% down-light kit option.

1 Light Chamber Lower: A downward-facing LED array aims light into the lower hemisphere, for a highly efficient, fully direct distribution or optional 80% down version.

2 Light Chambers: Both lateral-facing and downward-facing LED arrays are combined in separate upper and lower chambers for the ultimate in up/down distribution control.

Lenses: On the upper surface an engineered diffuser smooths the light distribution on the ceiling and acts as a dust cover. On the lower surface, two 4" wide optics are available: either a curved, engineered acrylic diffuse lens flush to the housing; or a white louver with regressed diffuser for improved high angle cut-off and visual comfort.

Endcaps

Diecast aluminum endcaps, either Sculpted (curved) or Flat.

Finish

High quality powder coated, available in matte white, black or titanium silver. Other custom colors, including pacific aqua, are available on request. White sensors only.

Housing

Precision formed 18 gauge cold-rolled steel. Cross section size (approx.): 2.6" h x 9" w (suspended) or 7.4" w (wall mount).

Weight

Maximum: Suspended 4.9lb/ft, Wall 3.4lb/ft

Electrical

Factory pre-wired to section ends with quick-wire connectors.

Standard Drivers

Philips Advance Xitanium 0-10V, 1-100% (347V: 5-100%). Philips Advance Xitanium Sensor Ready (SR), 5-100% (for SpaceWise). Class 2 rated output.

Standard Battery Pack

Philips Bodine, 90 min, 10W, Class 2 rated output, 1000lm nominal (@ 100lm/W; Flux = W x lm/W).

Lumen Maintenance

LEDs have been tested by the manufacturer in accordance with IESNA LM-80-08. At an ambient temperature of 25°C, the LED lumen maintenance expectation according to IES TM-21-11 is:

L80 (12k) >72,000 hrs (**Reported** methodology)

L80 (12k) 110,000 hrs (**Projected** methodology)

Source Color

LEDs rated for color rendering CRI >80, R9 >0 and color accuracy within 2 SDCM.

Controls

Suspended version (1 light chamber only) available with the following integrated controls:

Response daylight sensor (for single zone).

Philips Actilume occupancy sensor (includes field commissionable daylight).

SpaceWise DT occupancy & daylight sensor w/ advanced grouping & dwell time.

SpaceWise DT commissioning via Android phone and Philips Field App. Compatible dimming wireless wall switches are available. For more information, please refer to www.philips.com/spacewise

Mounting

Suspended: Rapid installation sling mount at joints and ends. High strength aircraft cable and stainless steel gripper provide unlimited vertical adjustment and are independently tested to stringent safety standards.

Wall: A hidden steel rail and bracket system attaches to the existing structure and supports housings close to the wall. Mount positioning is fully variable along the modules to accommodate site conditions, spaced up to 4½' on center and within 12" of an end or joint.

Joints

Self-aligning, gasketed joining system with hands-free wiring feature.

Approvals

Certified to UL, CSA and IES standards. Most suspended versions (except 1 light chamber down with louver) are DesignLights Consortium® qualified. Please see the DLC QPL list for exact catalog numbers (www.designlights.org/QPL).

Warranty

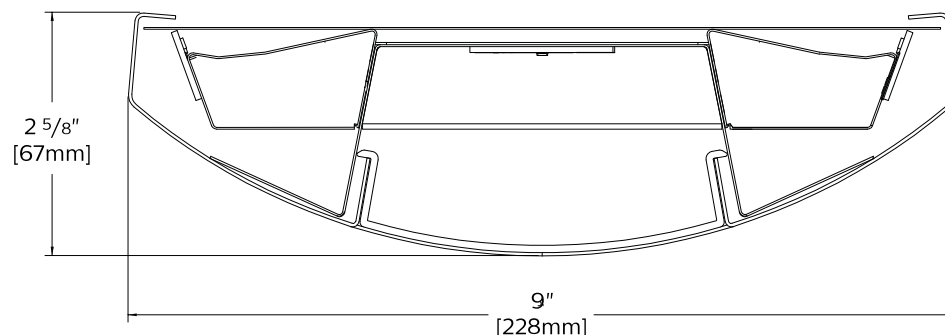
Philips indoor professional luminaires 5 year LED warranty: www.philips.com/warranties

Environment

Rated for dry or damp locations in operating ambient temperatures 0-40°C (32-104°F). Certain luminaire components may be adversely affected by contaminants. Damage caused by sulfur, chlorine, petroleum based solutions or other contaminants in the area of operation are not covered under warranty. Not suitable for natatorium environments.

Due to continuing product improvements, Philips Ledalite reserves the right to change the specifications without notice.

Dimensions - Cross Section



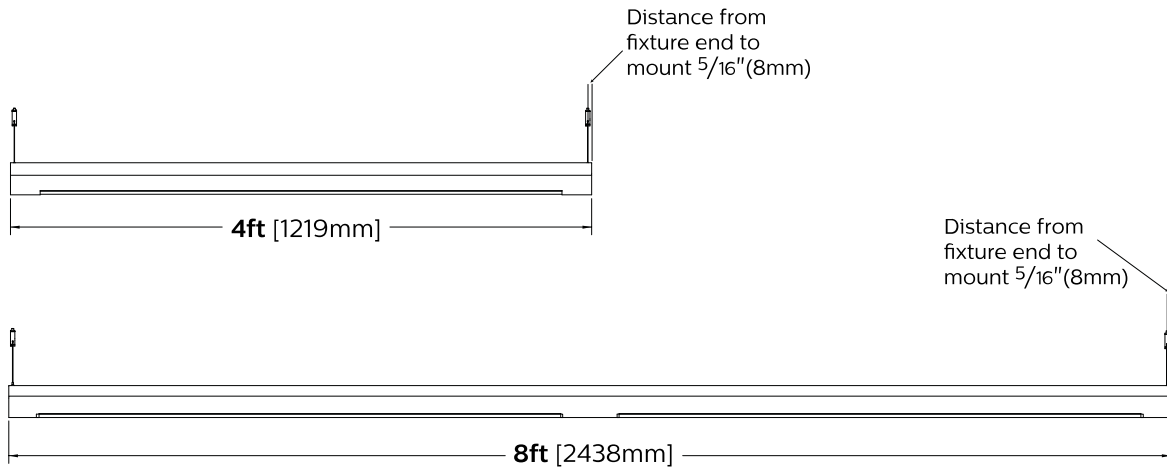
Sona suspended (2LC Up/Dn) LED

8200 lm/4ft 60%-70% Up

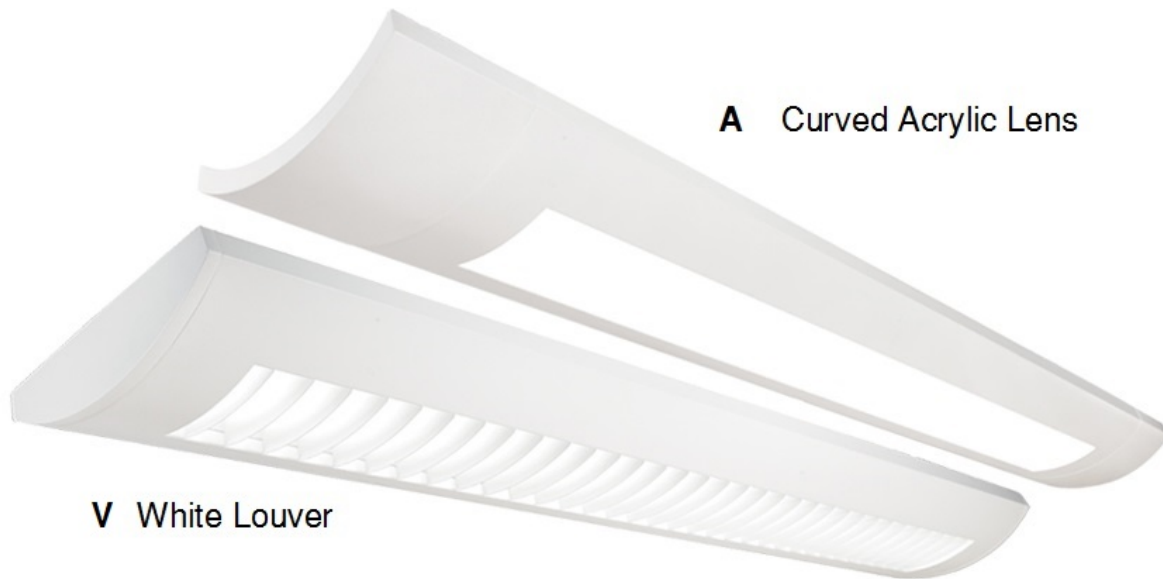
3000/3500/4000K

Dimensions - Modules

Suspended - Side view, no end caps



Optics and Styles

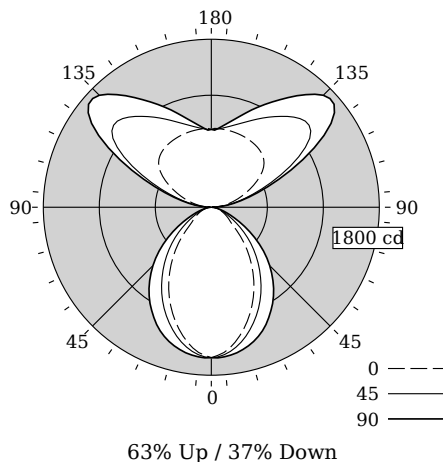


Sona suspended (2LC Up/Dn) LED

8200 lm/4ft 60%-70% Up

3000/3500/4000K

Photometry - 3500K



Candela Distribution

Vertical Angle	Horizontal Angle				Zonal Lumens
	0	22.5	45	67.5	
0	1612	1612	1612	1612	0
5	1562	1579	1586	1602	150
15	1347	1376	1431	1504	404
25	1065	1106	1196	1318	556
35	752	807	920	1069	586
45	443	505	641	791	501
55	235	257	378	501	347
65	146	156	185	246	201
75	75	80	91	103	98
85	19	23	33	34	33
90	1	9	18	19	8
95	74	97	109	116	117
105	247	308	379	418	386
115	454	620	822	920	760
125	667	925	1287	1515	1065
135	779	996	1343	1615	998
145	817	947	1186	1373	730
155	833	895	1027	1143	474
165	842	862	908	959	260
175	846	848	842	846	82
180	834	834	834	834	0

Values per 4ft unit

Fixture photometry has been conducted in accordance with IESNA LM-79-08

IES files for this and other photometric options can be downloaded online at www.lightingproducts.philips.com

Coefficients of Utilization (%)

RCR	Ceiling		80		70		50		0	
	70	50	30	10	70	50	30	10	0	
0	104	104	104	104	94	94	94	76	76	76
1	95	91	88	85	86	83	80	68	65	64
2	87	81	75	70	79	73	69	60	57	54
3	80	71	65	59	73	65	59	53	49	46
4	74	63	56	50	67	58	52	48	43	40
5	68	57	49	44	61	52	45	43	38	34
6	62	51	43	38	57	47	40	39	34	30
7	58	46	39	33	53	43	36	35	30	27
8	54	42	35	30	49	39	32	32	27	24
9	50	38	31	27	46	35	29	30	25	22
10	47	35	28	24	43	33	27	27	23	20

Avg. Luminance (cd/m2)

Vertical Angle	Horizontal Angle		
	0	45	90
55	3686	5594	8246
65	3101	3611	5235
75	2585	2696	3017
85	1876	2201	1811

Distribution

Hemisphere	63% Up / 37% Down
Peak/Zenith	2.07
Peak Output	1724 cd
Glare Control	Meets RP-1-12 recommendations for VDT-Normal spaces

Philips Ledalite

Lighting facts
A Program of the U.S. DOE

Light Output (Lumens) 7748
Watts 63.5
Lumens per Watt (Efficacy) 122.02

Color Accuracy 83
Color Rendering Index (CRI)

Light Color 3378 (Bright White)
Correlated Color Temperature (CCT)

2700K 3000K 4500K 6500K

All results are according to IESNA LM-79-2008: Approved Method for the Electrical and Photometric Testing of Solid-State Lighting. The U.S. Department of Energy (DOE) verifies product test data and results.

Visit www.lightingfacts.com for the Label Reference Guide.

Registration Number: F46Z-N64WNH (5/6/2017)
Model Number: 7725LBYVA
Type: Luminaire - Linear

Sona suspended (2LC Up/Dn) LED

8200 lm/4ft 60%-70% Up

3000/3500/4000K

Optical Performance

Nominal CCT:	3000K	3500K	4000K
Flux (lm)	7409	7748	7924
Efficacy (lm/W)	116.7	122.0	124.4
Power (W)	63.5	63.5	63.7
CCT (K)	3020	3378	3958
CRI	84	83	84
R9	11	9	11
x	0.4361	0.4138	0.3835
y	0.4048	0.3976	0.3820
Duv	0.0003	0.0012	0.0016

Electrical Performance - 3500K

Input Voltage	120V	277V
Input Power	63.5W	63.0W
Input Current	0.53A	0.24A
Power Factor	0.995	0.963
Total Harm. Distortion	6.9%	10.3%

Tested values – contact technical support for rated values.
Off-state power zero unless certain controls are specified.

