



Linear

Sona suspended (2LC Up/
Dn) LED

8200 lm/4ft 60%-70% Up
3000/3500/4000K



Project: _____
 Spec Type: _____
 Catalog No: 7725LxYAA _____
 Qty _____
 Line Notes: _____

Incredible efficacy & boundless lighting choices mean the re-engineered Sona suspended LED is destined to become a future classic. Flexible up/down distributions and tailored LED optics mean you always have the right light for every task.

Ordering guide

Product Type	Source	Color Temp *	Lumens *	Lower Optics	Upper Optics	Run Length	Wiring †	Voltage	Driver	Finish
<input type="text" value="7725"/>	<input type="text" value="L"/>	<input type="text"/>	<input type="text" value="Y"/>	<input type="text" value="A"/>	<input type="text" value="A"/>	<input type="text"/>	<input type="text"/>	<input type="text"/>	<input type="text"/>	<input type="text"/>
Sona 2LC suspended Indirect/Direct	L LED	A 4000K B 3500K C 3000K	Y 8200 lm/4ft (60% Up) A 7000 lm/4ft (70% Up) B 5500 lm/4ft (60% Up) C 4600 lm/4ft (70% Up) E 3500 lm/4ft (65% Up)	V White Louver A Curved Acrylic Diffuser	A Acrylic Diffuser	04 4' 08 8' XX Total run length (4' increments)	G 2 cct Up/Dn Dimming K 2 cct Up/Dn Dimming + EM Wiring L 2 cct Up/Dn Dimming + EM batt. pack	1 120V 2 277V 3 347V	E Philips Advance 0-10V	W Standard White T Titanium Silver B Black C Custom

* Nominal values within a range. Down kits reduce output & efficacy. Consult photometry data for exact color temp, lumens & distribution.

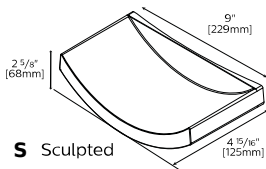
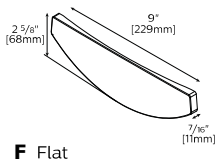
† Not all wiring types are available with all configurations. Consult Philips Ledalite for a complete list of available options.

Mounting Hardware

Mount Type
Consult separate mounting spec sheet for mount type options

Suspension Length
Distance from ceiling to top of luminaire in inches

Endcaps -



Integrated Controls

 Please indicate with check mark.

- Response Daylight Single Zone (DS)
- Actilume Occupancy with Field-enabled Daylight (DO)



Sona suspended (2LC Up/Dn) LED

8200 lm/4ft 60%-70% Up

3000/3500/4000K

Optical System

1 Light Chamber Upper: Lateral-facing LED arrays deliver light into both the upper and lower hemispheres, giving a highly efficient, native 70% up / 30% down distribution with a wide, homogeneous upper batwing distribution. A fully indirect version with a solid lower housing can be specified, as well as a 50% down-light kit option.

1 Light Chamber Lower: A downward-facing LED array aims light into the lower hemisphere, for a highly efficient, fully direct distribution or optional 80% down version.

2 Light Chambers: Both lateral-facing and downward-facing LED arrays are combined in separate upper and lower chambers for the ultimate in up/down distribution control.

Lenses: On the upper surface an engineered diffuser smooths the light distribution on the ceiling and acts as a dust cover. On the lower surface, two 4" wide optics are available: either a curved, engineered acrylic diffuse lens flush to the housing; or a white louver with regressed diffuser for improved high angle cut-off and visual comfort.

Endcaps

Diecast aluminum endcaps, either Sculpted (curved) or Flat.

Finish

High quality powder coated, available in matte white, black or titanium silver. Other custom colors, including pacific aqua, are available on request. White sensors only.

Housing

Precision formed 18 gauge cold-rolled steel. Cross section size (approx.): 2.6" h x 9" w (suspended) or 7.4" w (wall mount).

Weight

Maximum: Suspended 4.9lb/ft, Wall 3.4lb/ft

Electrical

Factory pre-wired to section ends with quick-wire connectors.

Standard Drivers

Philips Advance Xitanium 0-10V, 1-100% (347V: 5-100%). Philips Advance Xitanium Sensor Ready (SR), 5-100% (for SpaceWise). Class 2 rated output.

Standard Battery Pack

Philips Bodine, 90 min, 10W, Class 2 rated output, 1000lm nominal (@ 100lm/W; Flux = W x lm/W).

Lumen Maintenance

LEDs have been tested by the manufacturer in accordance with IESNA LM-80-08. At an ambient temperature of 25°C, the LED lumen maintenance expectation according to IES TM-21-11 is:

L80 (12k) >72,000 hrs (**Reported** methodology)

L80 (12k) 110,000 hrs (**Projected** methodology)

Source Color

LEDs rated for color rendering CRI >80, R9 >0 and color accuracy within 2 SDCM.

Controls

Suspended version (1 light chamber only) available with the following integrated controls:

Response daylight sensor (for single zone).

Philips Actilume occupancy sensor (includes field commissionable daylight).

SpaceWise DT occupancy & daylight sensor w/ advanced grouping & dwell time.

SpaceWise DT commissioning via Android phone and Philips Field App. Compatible dimming wireless wall switches are available. For more information, please refer to www.philips.com/spacewise

Mounting

Suspended: Rapid installation sling mount at joints and ends. High strength aircraft cable and stainless steel gripper provide unlimited vertical adjustment and are independently tested to stringent safety standards.

Wall: A hidden steel rail and bracket system attaches to the existing structure and supports housings close to the wall. Mount positioning is fully variable along the modules to accommodate site conditions, spaced up to 4½' on center and within 12" of an end or joint.

Joints

Self-aligning, gasketed joining system with hands-free wiring feature.

Approvals

Certified to UL, CSA and IES standards. Most suspended versions (except 1 light chamber down with louver) are DesignLights Consortium® qualified. Please see the DLC QPL list for exact catalog numbers (www.designlights.org/QPL).

Warranty

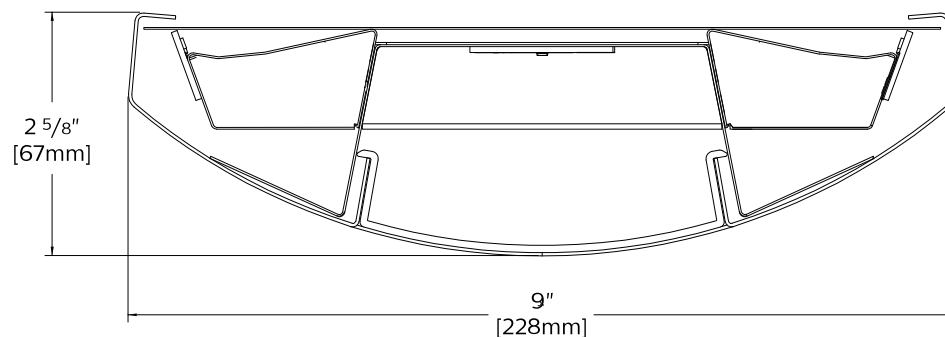
Philips indoor professional luminaires 5 year LED warranty: www.philips.com/warranties

Environment

Rated for dry or damp locations in operating ambient temperatures 0-40°C (32-104°F). Certain luminaire components may be adversely affected by contaminants. Damage caused by sulfur, chlorine, petroleum based solutions or other contaminants in the area of operation are not covered under warranty. Not suitable for natatorium environments.

Due to continuing product improvements, Philips Ledalite reserves the right to change the specifications without notice.

Dimensions - Cross Section



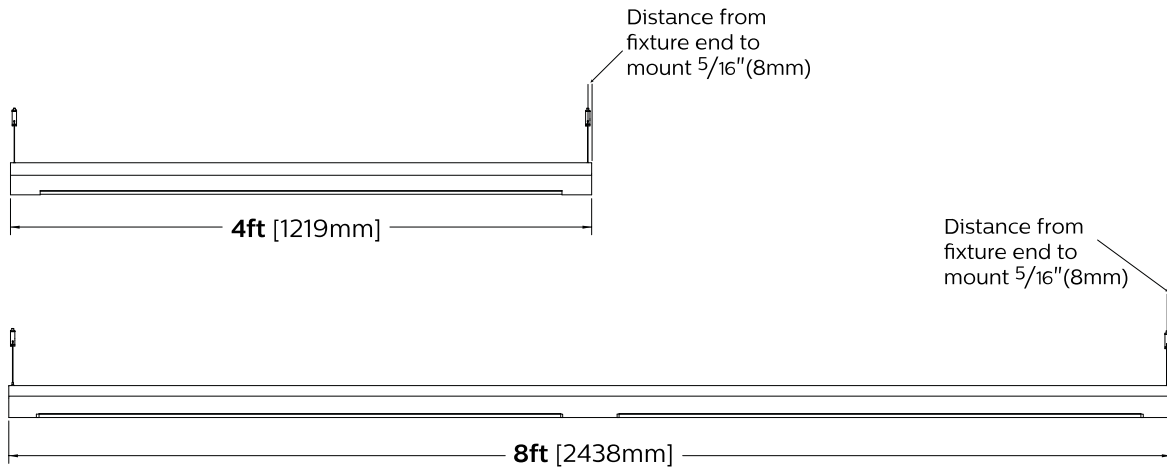
Sona suspended (2LC Up/Dn) LED

8200 lm/4ft 60%-70% Up

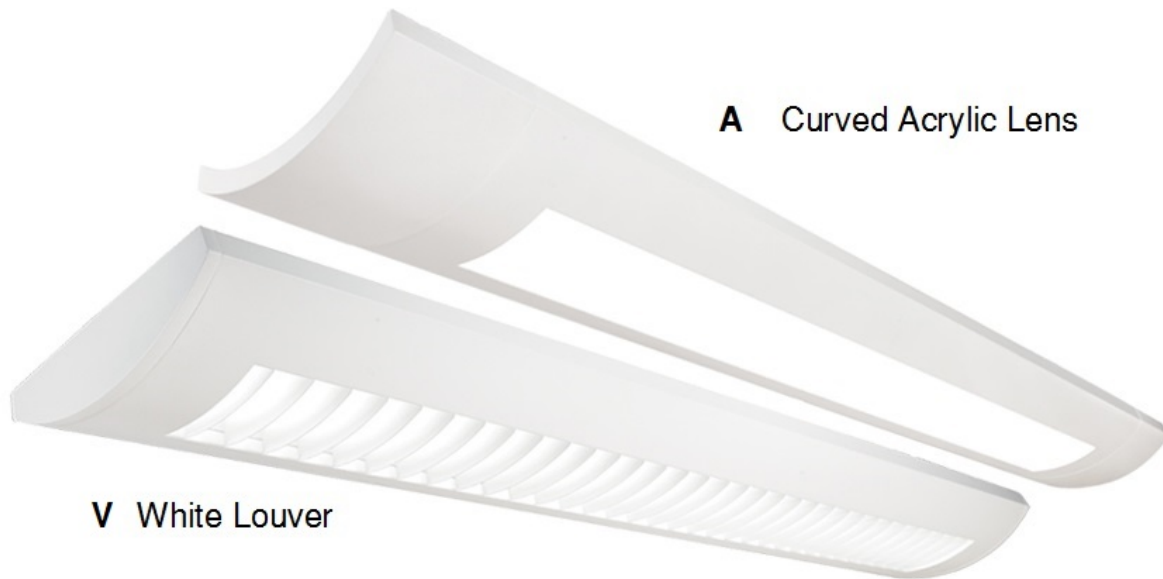
3000/3500/4000K

Dimensions - Modules

Suspended - Side view, no end caps



Optics and Styles

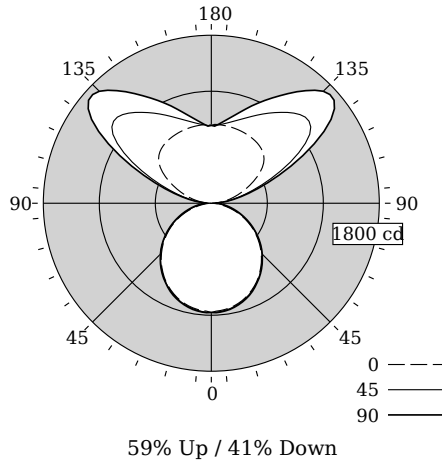


Sona suspended (2LC Up/Dn) LED

8200 lm/4ft 60%-70% Up

3000/3500/4000K

Photometry - 3500K



Candela Distribution

Vertical Angle	Horizontal Angle				Zonal Lumens
	0	22.5	45	67.5	
0	1171	1171	1171	1171	0
5	1153	1165	1164	1168	111
15	1111	1120	1121	1124	316
25	1026	1034	1034	1037	477
35	905	912	913	916	571
45	755	762	768	770	591
55	584	591	598	601	532
65	398	406	413	419	422
75	207	217	231	246	245
85	47	61	88	109	114
90	1	20	43	61	67
95	74	97	109	116	114
105	247	308	379	418	416
115	454	620	822	920	941
125	667	925	1287	1515	1566
135	779	996	1343	1615	1697
145	817	947	1186	1373	1434
155	833	895	1027	1143	1184
165	842	862	908	959	978
175	846	848	842	846	848
180	834	834	834	834	834

Values per 4ft unit

Fixture photometry has been conducted in accordance with IESNA LM-79-08

IES files for this and other photometric options can be downloaded online at www.lightingproducts.philips.com

Coefficients of Utilization (%)

RCR	Ceiling		80		70		50		0	
	70	50	30	10	70	50	30	10	0	
0	105	105	105	105	96	96	96	78	78	41
1	95	91	87	84	87	83	80	68	66	34
2	87	79	73	68	79	72	67	59	56	28
3	79	70	62	56	72	64	57	52	48	23
4	72	61	53	47	65	56	49	46	41	20
5	66	55	46	40	60	50	43	41	36	17
6	61	49	41	35	55	45	38	37	32	15
7	56	44	36	30	51	40	33	34	28	13
8	52	40	32	27	47	37	30	31	25	12
9	48	36	29	24	44	33	27	28	23	11
10	45	33	26	21	41	31	24	26	21	10

Avg. Luminance (cd/m2)

Vertical Angle	Horizontal Angle		
	0	45	90
55	9148	8844	8762
65	8429	8048	8002
75	7104	6885	7141
85	4622	5952	7023

Distribution

Hemisphere	59% Up / 41% Down
Spacing Along (0 °)	1.23
Spacing Across (90 °)	1.25

Philips Ledalite

Lighting facts
A Program of the U.S. DOE

Light Output (Lumens) **8223**

Watts **63.5**

Lumens per Watt (Efficacy) **129.5**

Color Accuracy
Color Rendering Index (CRI) **83**

Light Color
Correlated Color Temperature (CCT) **3378 (Bright White)**

2700K 3000K 4500K 6500K

All results are according to IESNA LM-79-2008: Approved Method for the Electrical and Photometric Testing of Solid-State Lighting. The U.S. Department of Energy (DOE) verifies product test data and results.

Visit www.lightingfacts.com for the Label Reference Guide.

Registration Number: F46Z-KVAPH5 (5/5/2017)
Model Number: 7725LBAAA
Type: Luminaire - Linear

Sona suspended (2LC Up/Dn) LED

8200 lm/4ft 60%-70% Up

3000/3500/4000K

Optical Performance

Nominal CCT:	3000K	3500K	4000K
Flux (lm)	7857	8223	8410
Efficacy (lm/W)	123.7	129.5	132.0
Power (W)	63.5	63.5	63.7
CCT (K)	3020	3378	3958
CRI	84	83	84
R9	11	9	11
x	0.4361	0.4138	0.3835
y	0.4048	0.3976	0.3820
Duv	0.0003	0.0012	0.0016

Electrical Performance - 3500K

Input Voltage	120V	277V
Input Power	63.5W	63.0W
Input Current	0.53A	0.24A
Power Factor	0.995	0.963
Total Harm. Distortion	6.9%	10.3%

Tested values – contact technical support for rated values.
Off-state power zero unless certain controls are specified.

