



# Linear

Sona suspended (2LC Up/Dn)

4600 lm/4ft 60%-70% Up  
3000/3500/4000K



Project: \_\_\_\_\_  
Spec Type: \_\_\_\_\_  
Catalog No: 7725LxCAA  
Qty \_\_\_\_\_  
Line Notes: \_\_\_\_\_

Incredible efficacy & boundless lighting choices mean the re-engineered Sona suspended LED is destined to become a future classic. Flexible up/down distributions and tailored LED optics mean you always have the right light for every task.

## Ordering guide

Product Type	Source	Color Temp *	Lumens *	Lower Optics	Upper Optics	Run Length	Wiring †	Voltage	Driver	Finish
7725	L		C	A	A					
Sona 2LC suspended Indirect/Direct	L LED	A 4000K B 3500K C 3000K	Y 8200 lm/4ft (60% Up) A 7000 lm/4ft (70% Up) B 5500 lm/4ft (60% Up) C 4600 lm/4ft (70% Up) E 3500 lm/4ft (65% Up)	V White Louver A Curved Acrylic Diffuser	A Acrylic Diffuser	04 4' 08 8' XX Total run length (4' increments)	G 2 cct Up/Dn Dimming K 2 cct Up/Dn Dimming + EM Wiring L 2 cct Up/Dn Dimming + EM batt. pack	1 120V 2 277V 3 347V	E Philips Advance 0-10V (1% dim)	W Standard White T Titanium Silver B Black C Custom

\* Nominal values within a range. Down kits reduce output & efficacy. Consult photometry data for CRI, color temp, lumens & distribution of chosen configuration.

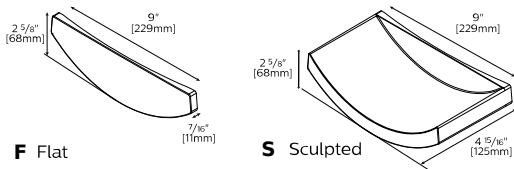
† Not all wiring types are available with all configurations. Consult Philips Ledalite for a complete list of available options.

## Mounting Hardware

**Mount Type**  
Consult separate mounting spec sheet for mount type options:  
**Ledalite Suspended Mounting Options**

**Suspension Length**  
Distance from ceiling to top of luminaire in inches

## Endcaps -



# Sona suspended (2LC Up/Dn)

4600 lm/4ft 60%-70% Up

3000/3500/4000K

## Optical System

**1 Light Chamber Upper:** Lateral-facing LED arrays deliver light into both the upper and lower hemispheres, giving a highly efficient, native 70% up / 30% down distribution with a wide, homogeneous upper batwing distribution. A fully indirect version with a solid lower housing can be specified, as well as a 50% down-light kit option.

**1 Light Chamber Lower:** A downward-facing LED array aims light into the lower hemisphere, for a highly efficient, fully direct distribution or optional 80% down version.

**2 Light Chambers:** Both lateral-facing and downward-facing LED arrays are combined in separate upper and lower chambers for the ultimate in up/down distribution control.

**Lenses:** On the upper surface an engineered diffuser smooths the light distribution on the ceiling and acts as a dust cover. On the lower surface, two 4" wide optics are available: either a curved, engineered acrylic diffuse lens flush to the housing; or a white louver with regressed diffuser for improved high angle cut-off and visual comfort.

## Endcaps

Diecast aluminum endcaps, either Sculpted (curved) or Flat.

## Finish

High quality powder coated, available in matte white, black or titanium silver. Other custom colors, including pacific aqua, are available on request. White sensors only.

## Housing

Precision formed 18 gauge cold-rolled steel. Cross section size (approx.): 2.6" h x 9" w (suspended) or 7.4" w (wall mount).

## Weight

Maximum: Suspended 4.9lb/ft, Wall 3.4lb/ft

## Electrical

Factory pre-wired to section ends with quick-wire connectors.

## Standard Drivers

Philips Advance Xitanium 0-10V, 1-100%.

Philips Advance Xitanium Sensor Ready, 5-100%. Class 2 rated output. Consult Philips Ledalite for other available drivers.

## Standard Battery Pack

Philips Bodine, 90 min, 10W, Class 2 rated output. Emergency lumen output = 10W x luminaire efficacy x 1.1. Typical output: suspended 1400lm, wall 1200lm.

## Lumen Maintenance

LEDs have been tested by the manufacturer in accordance with IESNA LM-80-08. At an ambient temperature of 25°C, the LED lumen maintenance expectation according to IES TM-21-11 is:

L80 (12k) >72,000 hrs (**Reported** methodology)

L80 (12k) 110,000 hrs (**Projected** methodology).

## Source Color

LEDs rated for color rendering CRI >80, R9 >0 and fixture to fixture color accuracy within 3 SDCM.

## Controls

Suspended version (1 light chamber only) available with the following integrated controls:

Response Daylight Sensors

SpaceWise DT Occupancy & Daylight Sensors w/ advanced grouping & Dwell Time.

\*SpaceWise DT commissioning is via a compatible Android phone and Philips Field App. Compatible wireless dimming wall switches are available for dimming. 347V is not available as a standard option. For more information, please refer to [www.philips.com/spacewise](http://www.philips.com/spacewise)

## Mounting

**Suspended:** Rapid installation sling mount at joints and ends. High strength aircraft cable and stainless steel gripper provide unlimited vertical adjustment and are independently tested to stringent safety standards. Variable mounting along the length of the housing is available for certain configurations upon request.

**Wall:** A hidden steel rail and bracket system attaches to the existing structure and supports housings close to the wall. Mount positioning is fully variable along the modules to accommodate site conditions, spaced up to 4½' on center and within 6" of an end or joint.

## Joints

Self-aligning, gasketed joining system with hands-free wiring feature.

## Approvals

Certified to UL, CSA and IES standards. Most suspended versions (except 1 light chamber down with louver) are DesignLights Consortium® qualified. Please see the DLC QPL list for exact catalog numbers ([www.designlights.org/QPL](http://www.designlights.org/QPL)).

## Warranty

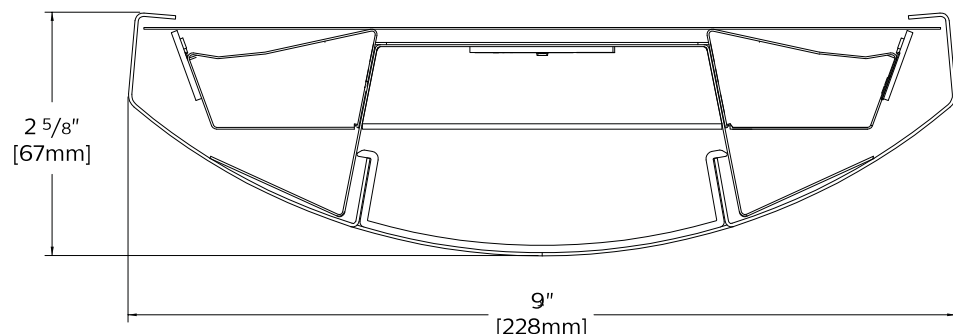
Philips indoor professional luminaires 5 year LED warranty: [www.philips.com/warranties](http://www.philips.com/warranties)

## Environment

Rated for dry or damp locations in operating ambient temperatures 0-40°C (32-104°F). Certain luminaire components may be adversely affected by contaminants. Damage caused by sulfur, chlorine, petroleum based solutions or other contaminants in the area of operation are not covered under warranty. Not suitable for natatorium environments.

Due to continuing product improvements, Philips Ledalite reserves the right to change the specifications without notice.

## Dimensions - Cross Section



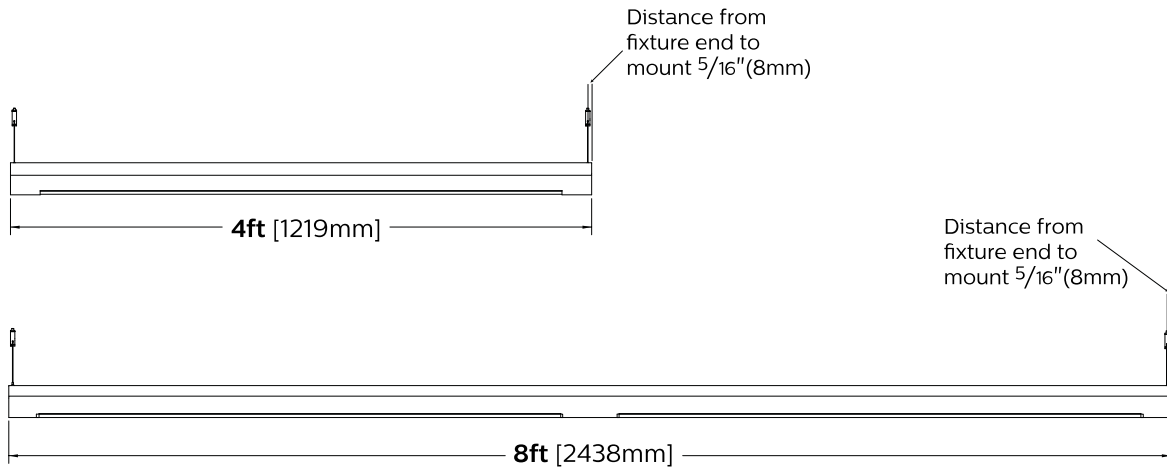
# Sona suspended (2LC Up/Dn)

4600 lm/4ft 60%-70% Up

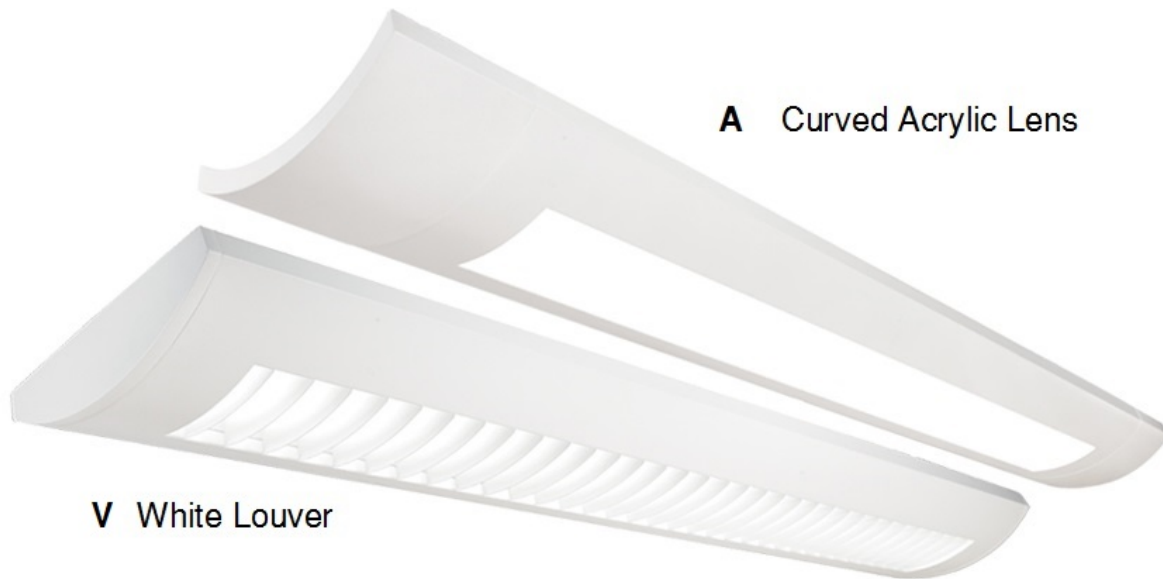
3000/3500/4000K

## Dimensions - Modules

Suspended - Side view, no end caps



## Optics and Styles

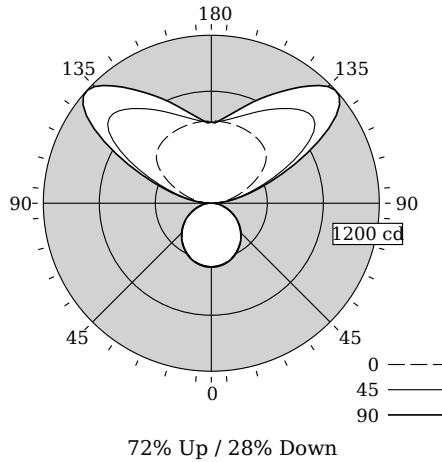


# Sona suspended (2LC Up/Dn)

4600 lm/4ft 60%-70% Up

3000/3500/4000K

## Photometry @ CRI>80, 3500K



## Candela Distribution

Vertical Angle	Horizontal Angle				Zonal Lumens
	0	22.5	45	67.5	
0	455	455	455	455	0
5	449	453	453	454	43
15	432	436	436	437	123
25	399	402	402	404	185
35	352	355	355	356	222
45	294	296	299	299	230
55	227	230	232	234	207
65	155	158	161	163	159
75	81	84	90	96	95
85	18	24	34	42	38
90	1	8	17	24	0
95	51	67	76	80	82
105	172	214	263	290	268
115	316	430	571	639	528
125	463	643	894	1052	740
135	541	692	933	1122	693
145	568	658	824	954	507
155	579	622	714	794	329
165	585	599	631	666	180
175	588	589	585	588	57
180	580	580	580	580	0

Values per 4ft unit

Fixture photometry has been conducted in accordance with IESNA LM-79-08

IES files for this and other photometric options can be downloaded online at [www.lightingproducts.philips.com](http://www.lightingproducts.philips.com)

## Coefficients of Utilization (%)

RCR	Ceiling		80		70		50		50		0	
	70	50	30	10	70	50	30	50	30	10	28	0
0	102	102	102	102	91	91	91	71	71	71	28	0
1	93	88	85	81	83	79	76	62	60	58	23	0
2	84	77	71	66	75	69	64	54	50	47	19	0
3	77	67	60	55	68	61	54	47	43	40	16	0
4	70	60	52	46	62	53	47	42	37	34	14	0
5	64	53	45	39	57	48	41	37	33	29	12	0
6	59	47	39	34	52	42	36	34	29	25	10	0
7	54	42	35	29	48	38	32	30	25	22	9	0
8	50	38	31	26	45	35	28	27	23	19	8	0
9	47	35	28	23	42	32	25	25	20	17	7	0
10	44	32	25	20	39	29	23	23	18	15	7	0

## Avg. Luminance (cd/m2)

Vertical Angle	Horizontal Angle		
	0	45	90
55	3558	3440	3408
65	3279	3130	3112
75	2763	2678	2777
85	1798	2316	2732

## Distribution

Hemisphere	72% Up / 28% Down
Peak/Zenith	2.07
Peak Output	1198 cd
Glare Control	Meets RP-1-12 recommendations for VDT-Critical spaces

Philips Ledalite

**LED lighting facts**  
A Program of the U.S. DOE

---

**Light Output (Lumens)** **4688**

**Watts** **35**

**Lumens per Watt (Efficacy)** **133.94**

---

**Color Accuracy** **83**

Color Rendering Index (CRI)

---

**Light Color** **3378 (Bright White)**

Correlated Color Temperature (CCT)

2700K   3000K   4500K   6500K

---

All results are according to IESNA LM-79-2008: Approved Method for the Electrical and Photometric Testing of Solid-State Lighting. The U.S. Department of Energy (DOE) verifies product test data and results.

Visit [www.lightingfacts.com](http://www.lightingfacts.com) for the Label Reference Guide.

Registration Number: F46Z-MTOGFR (5/5/2017)  
Model Number: 7725LBCAA  
Type: Luminaire - Linear

# Sona suspended (2LC Up/Dn)

4600 lm/4ft 60%-70% Up

3000/3500/4000K

## Optical Performance @ 120V

Nominal Spec:	3000K	3500K	4000K
Flux (lm)	4488	4688	4792
Efficacy (lm/W)	128.2	133.9	136.1
Power (W)	35.0	35.0	35.2
CCT (K)	3020	3378	3958
CRI	84	83	84
R9	11	9	11
x	0.4361	0.4138	0.3835
y	0.4048	0.3976	0.3820
Duv	0.0003	0.0012	0.0016

## Electrical Performance @ CRI>80, 3500K

Input Voltage	120V	277V	347V
Input Power	35.0W	35.5W	36.1W
Input Current	0.29A	0.14A	0.11A
Power Factor	0.991	0.934	0.937
Total Harm. Distortion	10.6%	14.0%	14.0%

Tested values – contact technical support for rated values. Off-state power zero unless certain controls are specified.

