



Linear

Sona wall (1LC Up) LED

4500 lm/4ft 70% Up
3000/3500/4000K



Project: _____
Spec Type: _____
Catalog No: 7708LxCAA
Qty _____
Line Notes: _____

Incredible efficacy & boundless lighting choices mean the re-engineered Sona suspended LED is destined to become a future classic. Flexible up/down distributions and tailored LED optics mean you always have the right light for every task.

Ordering guide

Product Type	Source	Color Temp *	Lumens *	Lower Optics	Upper Optics	Run Length	Wiring †	Voltage	Driver	Finish
7708	L		C	A	A					
Sona 1LC wall Wall Indirect/Direct	L LED	A 4000K B 3500K C 3000K	C 4500 lm/4ft E 3200 lm/4ft G 2100 lm/4ft	V White Louver A Curved Acrylic Diffuser	A Acrylic Diffuser	04 4' 08 8' XX Total run length (4' increments)	7 1 cct Dimming E 2 cct A/B Dimming M 1 cct Dimming + EM Wiring N 1 cct Dimming + EM Batt. Pack	1 120V 2 277V 3 347V	E Philips Advance 0-10V (1% dim)	W Standard White T Titanium Silver B Black C Custom

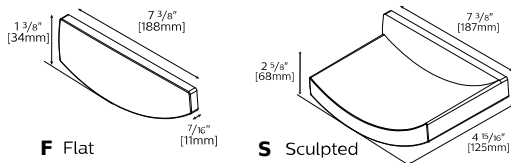
* Nominal values within a range. Down kits reduce output & efficacy. Consult photometry data for color temp, lumens & distribution of chosen configuration.

† Not all wiring types are available with all configurations. Consult Philips Ledalite for a complete list of available options.

Mounting Hardware

Mount Type
Consult separate mounting spec sheet for mount type options

Endcaps -



Sona wall (1LC Up) LED

4500 lm/4ft 70% Up

3000/3500/4000K

Optical System

1 Light Chamber Upper: Lateral-facing LED arrays deliver light into both the upper and lower hemispheres, giving a highly efficient, native 70% up / 30% down distribution with a wide, homogeneous upper batwing distribution. A fully indirect version with a solid lower housing can be specified, as well as a 50% down-light kit option.

1 Light Chamber Lower: A downward-facing LED array aims light into the lower hemisphere, for a highly efficient, fully direct distribution or optional 80% down version.

2 Light Chambers: Both lateral-facing and downward-facing LED arrays are combined in separate upper and lower chambers for the ultimate in up/down distribution control.

Lenses: On the upper surface an engineered diffuser smooths the light distribution on the ceiling and acts as a dust cover. On the lower surface, two 4" wide optics are available: either a curved, engineered acrylic diffuse lens flush to the housing; or a white louver with regressed diffuser for improved high angle cut-off and visual comfort.

Endcaps

Diecast aluminum endcaps, either Sculpted (curved) or Flat.

Finish

High quality powder coated, available in matte white, black or titanium silver. Other custom colors, including pacific aqua, are available on request. White sensors only.

Housing

Precision formed 18 gauge cold-rolled steel. Cross section size (approx.): 2.6" h x 9" w (suspended) or 7.4" w (wall mount).

Weight

Maximum: Suspended 4.9lb/ft, Wall 3.4lb/ft

Electrical

Factory pre-wired to section ends with quick-wire connectors.

Standard Drivers

Philips Advance Xitanium 0-10V, 1-100%. Philips Advance Xitanium SR, 5-100% (for SpaceWise DT). Class 2 rated output. Consult Philips Ledalite for other available drivers.

Standard Battery Pack

Philips Bodine, 90 min, 10W, Class 2 rated output, Emergency lumen output = 10W x luminaire efficacy x 1.1. Typical output: suspended 1400lm, wall 1200lm.

Lumen Maintenance

LEDs have been tested by the manufacturer in accordance with IESNA LM-80-08. At an ambient temperature of 25°C, the LED lumen maintenance expectation according to IES TM-21-11 is:

L80 (12k) >72,000 hrs (**Reported** methodology)

L80 (12k) 110,000 hrs (**Projected** methodology).

Source Color

LEDs rated for color rendering CRI >80, R9 >0 and fixture to fixture color accuracy within 2 SDCM.

Controls

Suspended version (1 light chamber only) available with the following integrated controls:

Response daylight sensor (for single zone).

SpaceWise DT occupancy & daylight sensor w/ advanced grouping & dwell time.

SpaceWise DT commissioning via Android phone and Philips Field App. Compatible dimming wireless wall switches are available. For more information, please refer to www.philips.com/spacewise

Mounting

Suspended: Rapid installation sling mount at joints and ends. High strength aircraft cable and stainless steel gripper provide unlimited vertical adjustment and are independently tested to stringent safety standards.

Wall: A hidden steel rail and bracket system attaches to the existing structure and supports housings close to the wall. Mount positioning is fully variable along the modules to accommodate site conditions, spaced up to 4½' on center and within 6" of an end or joint.

Joints

Self-aligning, gasketed joining system with hands-free wiring feature.

Approvals

Certified to UL, CSA and IES standards. Most suspended versions (except 1 light chamber down with louver) are DesignLights Consortium® qualified. Please see the DLC QPL list for exact catalog numbers (www.designlights.org/QPL).

Warranty

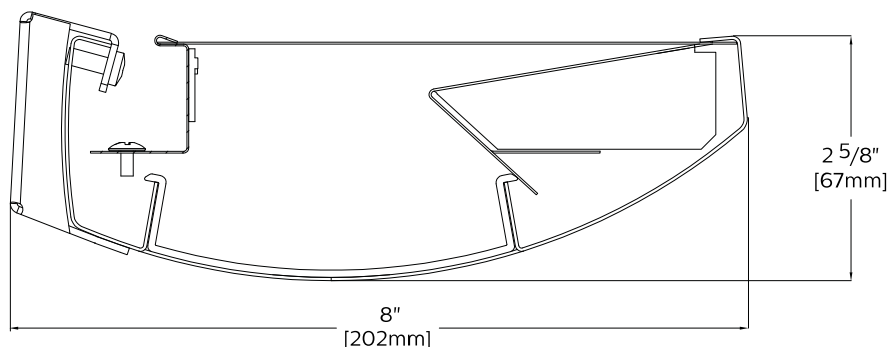
Philips indoor professional luminaires 5 year LED warranty: www.philips.com/warranties

Environment

Rated for dry or damp locations in operating ambient temperatures 0–40°C (32–104°F). Certain luminaire components may be adversely affected by contaminants. Damage caused by sulfur, chlorine, petroleum based solutions or other contaminants in the area of operation are not covered under warranty. Not suitable for natatorium environments.

Due to continuing product improvements, Philips Ledalite reserves the right to change the specifications without notice.

Dimensions - Cross Section



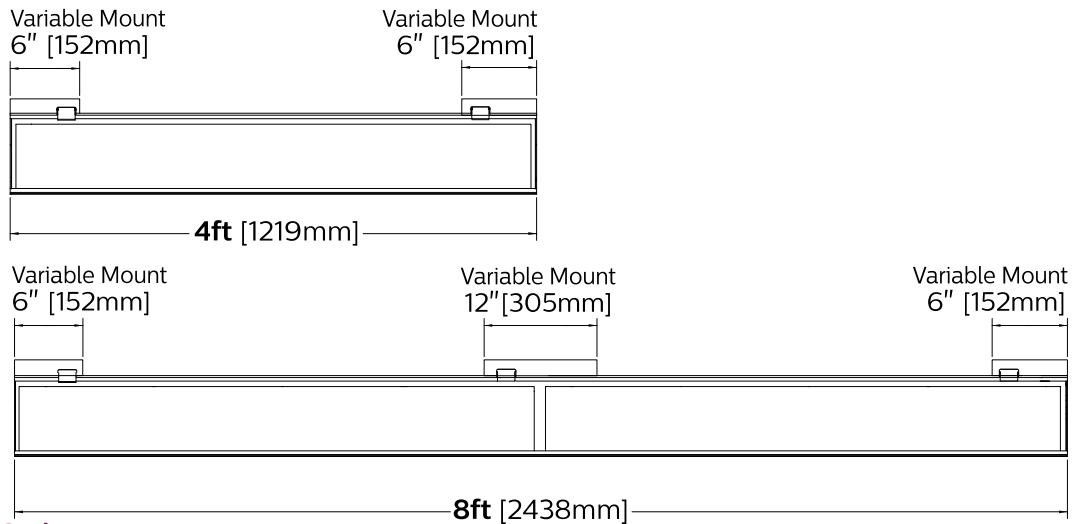
Sona wall (1LC Up) LED

4500 lm/4ft 70% Up

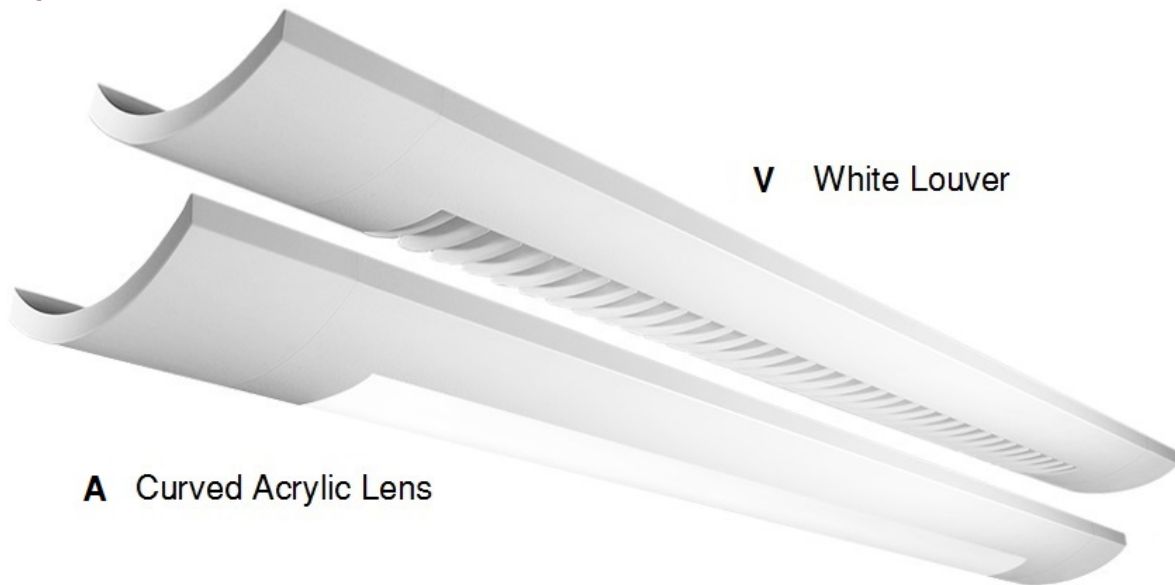
3000/3500/4000K

Dimensions - Modules

Wall Mount - Top view, no end caps



Optics and Styles

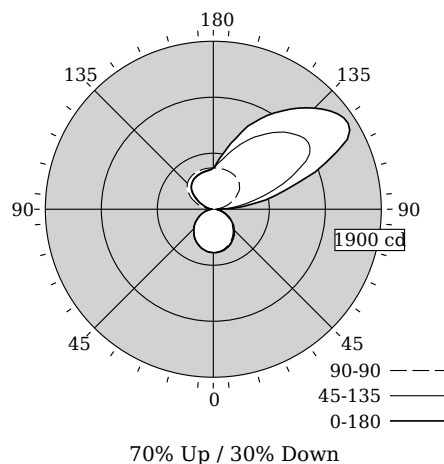


Sona wall (1LC Up) LED

4500 lm/4ft 70% Up

3000/3500/4000K

Photometry - 3500K



Candela Distribution

Vertical Angle	Horizontal Angle				Zonal Lumens	
	0	45	90	135		
0	491	491	491	491	0	
5	491	490	487	487	46	
15	477	474	467	466	132	
25	445	440	429	427	199	
35	396	391	377	376	238	
45	332	331	314	313	245	
55	263	257	243	240	220	
65	184	182	167	164	167	
75	113	104	89	90	100	
85	50	42	22	33	41	
90	50	55	7	17	26	
95	325	215	49	20	25	119
105	853	592	152	82	72	329
115	1545	1063	256	165	154	561
125	1802	1313	353	272	258	654
135	1617	1219	416	352	352	576
145	1356	1040	444	400	398	437
155	1080	841	460	425	419	289
165	775	648	466	439	432	155
175	539	511	468	451	443	47
180	467	467	467	467	467	0

Values per 4ft unit

Fixture photometry has been conducted in accordance with IESNA LM-79-08

IES files for this and other photometric options can be downloaded online at www.lightingproducts.philips.com

Coefficients of Utilization (%)

RCR	Ceiling											
	70	50	30	10	70	50	30	10	50	30	10	0
0	102	102	102	102	92	92	92	72	72	72	30	0
1	93	89	85	82	84	80	77	63	61	59	25	0
2	85	77	71	66	76	70	65	55	52	49	21	0
3	77	68	61	55	69	61	55	48	44	41	18	0
4	70	60	52	46	63	54	47	43	38	34	15	0
5	65	53	45	39	58	48	41	38	33	29	13	0
6	59	48	40	34	53	43	36	34	29	26	11	0
7	55	43	35	30	49	39	32	31	26	22	10	0
8	51	39	31	26	45	35	28	28	23	20	9	0
9	47	35	28	23	42	32	26	26	21	18	8	0
10	44	32	25	20	39	29	23	24	19	16	7	0

Avg. Luminance (cd/m2)

Vertical Angle	Horizontal Angle		
	0	90	180
55	3819	3813	3502
65	3486	3539	3131
75	3219	3051	2718
85	3073	2174	2500

Distribution

Hemisphere	70% Up / 30% Down
Peak/Zenith	3.87
Peak Output	1808 cd
Glare Control	Meets RP-1-12 recommendations for VDT-Normal spaces

Sona wall (1LC Up) LED

4500 lm/4ft 70% Up

3000/3500/4000K

Optical Performance

Nominal CCT:	3000K	3500K	4000K
Flux (lm)	4375	4554	4652
Efficacy (lm/W)	108.8	113.3	115.7
Power (W)	40.2	40.2	40.2
CCT (K)	3020	3378	3958
CRI	84	83	84
R9	11	9	11
x	0.4361	0.4138	0.3835
y	0.4048	0.3976	0.3820
Duv	0.0003	0.0012	0.0016

Electrical Performance - 3500K

Input Voltage	120V	277V	347V
Input Power	40.2W	39.9W	38.9W
Input Current	0.34A	0.15A	0.12A
Power Factor	0.996	0.966	0.972
Total Harm. Distortion	6.3%	9.6%	9.0%

Tested values . contact technical support for rated values. Off-state power zero unless certain controls are specified.

