



Linear

Sona wall (1LC Up) LED

3200 lm/4ft 70% Up
3000/3500/4000K



Project: _____
 Spec Type: _____
 Catalog No: 7708LxEVA _____
 Qty _____
 Line Notes: _____

Incredible efficacy & boundless lighting choices mean the re-engineered Sona suspended LED is destined to become a future classic. Flexible up/down distributions and tailored LED optics mean you always have the right light for every task.

Ordering guide

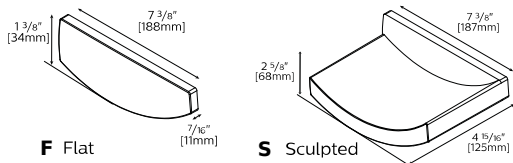
Product Type	Source	Color Temp *	Lumens *	Lower Optics	Upper Optics	Run Length	Wiring †	Voltage	Driver	Finish
7708	L		E	V	A					
Sona 1LC wall Wall Indirect/Direct	L LED	A 4000K B 3500K C 3000K	C 4500 lm/4ft E 3200 lm/4ft G 2100 lm/4ft	V White Louver A Curved Acrylic Diffuser	A Acrylic Diffuser	04 4' 08 8' XX Total run length (4' increments)	7 1 cct Dimming E 2 cct A/B Dimming M 1 cct Dimming + EM Wiring N 1 cct Dimming + EM Batt. Pack	1 120V 2 277V 3 347V	E Philips Advance 0-10V (1% dim)	W Standard White T Titanium Silver B Black C Custom

* Nominal values within a range. Down kits reduce output & efficacy. Consult photometry data for color temp, lumens & distribution of chosen configuration.
 † Not all wiring types are available with all configurations. Consult Philips Ledalite for a complete list of available options.

Mounting Hardware

Mount Type
 Consult separate mounting spec sheet for mount type options

Endcaps -



Sona wall (1LC Up) LED

3200 lm/4ft 70% Up

3000/3500/4000K

Optical System

1 Light Chamber Upper: Lateral-facing LED arrays deliver light into both the upper and lower hemispheres, giving a highly efficient, native 70% up / 30% down distribution with a wide, homogeneous upper batwing distribution. A fully indirect version with a solid lower housing can be specified, as well as a 50% down-light kit option.

1 Light Chamber Lower: A downward-facing LED array aims light into the lower hemisphere, for a highly efficient, fully direct distribution or optional 80% down version.

2 Light Chambers: Both lateral-facing and downward-facing LED arrays are combined in separate upper and lower chambers for the ultimate in up/down distribution control.

Lenses: On the upper surface an engineered diffuser smooths the light distribution on the ceiling and acts as a dust cover. On the lower surface, two 4" wide optics are available: either a curved, engineered acrylic diffuse lens flush to the housing; or a white louver with regressed diffuser for improved high angle cut-off and visual comfort.

Endcaps

Diecast aluminum endcaps, either Sculpted (curved) or Flat.

Finish

High quality powder coated, available in matte white, black or titanium silver. Other custom colors, including pacific aqua, are available on request. White sensors only.

Housing

Precision formed 18 gauge cold-rolled steel. Cross section size (approx.): 2.6" h x 9" w (suspended) or 7.4" w (wall mount).

Weight

Maximum: Suspended 4.9lb/ft, Wall 3.4lb/ft

Electrical

Factory pre-wired to section ends with quick-wire connectors.

Standard Drivers

Philips Advance Xitanium 0-10V, 1-100%. Philips Advance Xitanium SR, 5-100% (for SpaceWise DT). Class 2 rated output. Consult Philips Ledalite for other available drivers.

Standard Battery Pack

Philips Bodine, 90 min, 10W, Class 2 rated output, Emergency lumen output = 10W x luminaire efficacy x 1.1. Typical output: suspended 1400lm, wall 1200lm.

Lumen Maintenance

LEDs have been tested by the manufacturer in accordance with IESNA LM-80-08. At an ambient temperature of 25°C, the LED lumen maintenance expectation according to IES TM-21-11 is:

L80 (12k) >72,000 hrs (**Reported** methodology)

L80 (12k) 110,000 hrs (**Projected** methodology).

Source Color

LEDs rated for color rendering CRI >80, R9 >0 and fixture to fixture color accuracy within 2 SDCM.

Controls

Suspended version (1 light chamber only) available with the following integrated controls:

Response daylight sensor (for single zone).

SpaceWise DT occupancy & daylight sensor w/ advanced grouping & dwell time.

SpaceWise DT commissioning via Android phone and Philips Field App. Compatible dimming wireless wall switches are available. For more information, please refer to www.philips.com/spacewise

Mounting

Suspended: Rapid installation sling mount at joints and ends. High strength aircraft cable and stainless steel gripper provide unlimited vertical adjustment and are independently tested to stringent safety standards.

Wall: A hidden steel rail and bracket system attaches to the existing structure and supports housings close to the wall. Mount positioning is fully variable along the modules to accommodate site conditions, spaced up to 4½' on center and within 6" of an end or joint.

Joints

Self-aligning, gasketed joining system with hands-free wiring feature.

Approvals

Certified to UL, CSA and IES standards. Most suspended versions (except 1 light chamber down with louver) are DesignLights Consortium® qualified. Please see the DLC QPL list for exact catalog numbers (www.designlights.org/QPL).

Warranty

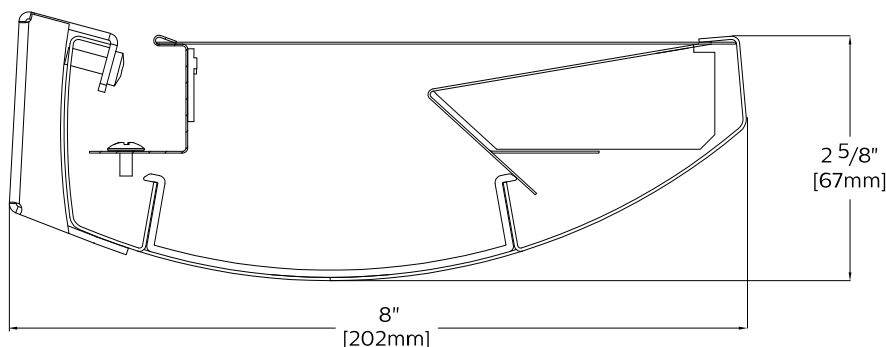
Philips indoor professional luminaires 5 year LED warranty: www.philips.com/warranties

Environment

Rated for dry or damp locations in operating ambient temperatures 0–40°C (32–104°F). Certain luminaire components may be adversely affected by contaminants. Damage caused by sulfur, chlorine, petroleum based solutions or other contaminants in the area of operation are not covered under warranty. Not suitable for natatorium environments.

Due to continuing product improvements, Philips Ledalite reserves the right to change the specifications without notice.

Dimensions - Cross Section



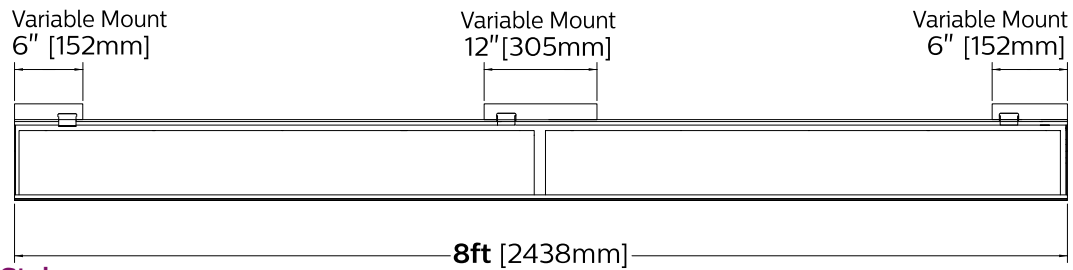
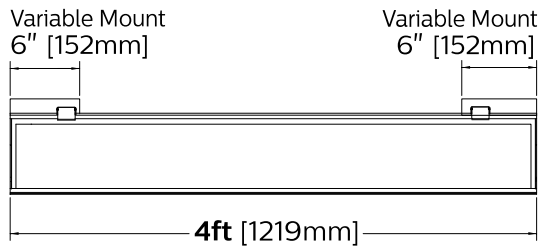
Sona wall (1LC Up) LED

3200 lm/4ft 70% Up

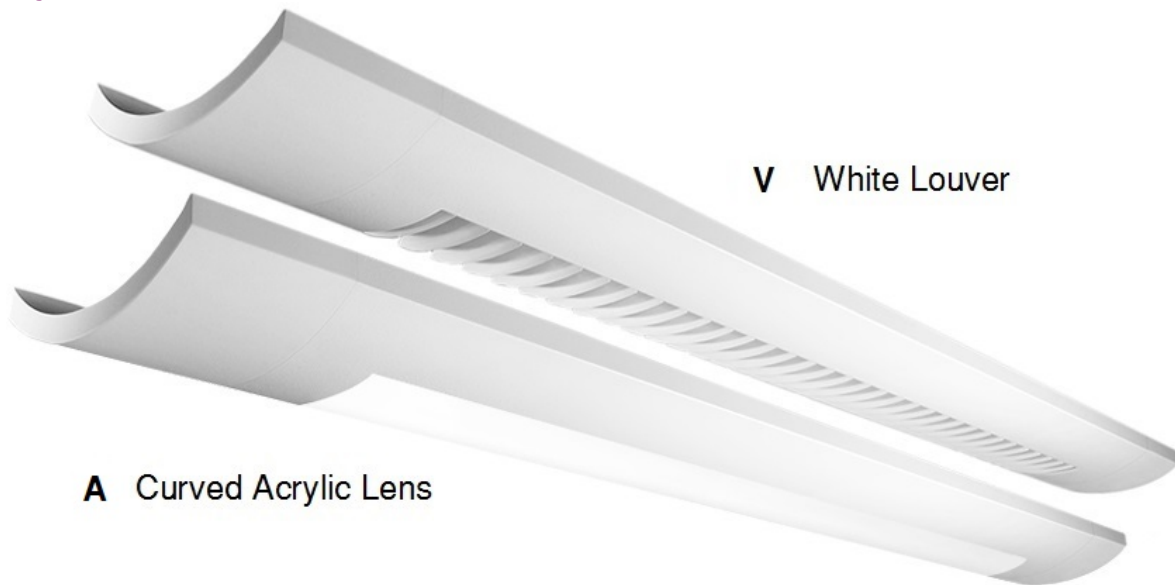
3000/3500/4000K

Dimensions - Modules

Wall Mount - Top view, no end caps



Optics and Styles

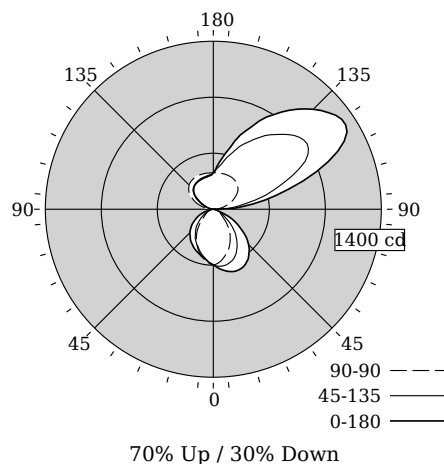


Sona wall (1LC Up) LED

3200 lm/4ft 70% Up

3000/3500/4000K

Photometry - 3500K



Candela Distribution

Vertical Angle	Horizontal Angle				Zonal Lumens
	0	45	90	135	
0	463	463	463	463	0
5	493	477	451	443	43
15	537	471	394	384	120
25	546	430	324	324	174
35	507	345	239	260	194
45	415	238	148	199	173
55	276	128	82	122	127
65	138	63	52	67	77
75	24	30	28	33	35
85	6	12	8	13	13
90	26	28	2	7	0
95	237	163	35	12	85
105	652	452	106	51	241
115	1145	784	182	112	406
125	1307	954	246	186	466
135	1178	880	285	238	407
145	988	749	302	261	303
155	761	600	307	273	197
165	527	451	307	280	103
175	360	341	304	290	31
180	304	304	304	304	0

Values per 4ft unit

Fixture photometry has been conducted in accordance with IESNA LM-79-08

IES files for this and other photometric options can be downloaded online at www.lightingproducts.philips.com

Coefficients of Utilization (%)

RCR	Ceiling											
	70	50	30	10	70	50	30	50	30	10	0	
0	102	102	102	102	92	92	92	72	72	72	30	
1	94	90	86	83	84	81	78	64	62	60	26	
2	86	79	73	68	77	71	66	56	53	50	22	
3	78	69	63	57	70	63	57	50	46	42	19	
4	72	62	54	48	64	56	49	44	40	36	17	
5	66	55	47	42	59	50	43	40	35	31	15	
6	61	49	42	36	54	45	38	36	31	28	13	
7	56	44	37	32	50	40	34	33	28	24	12	
8	52	40	33	28	47	37	30	30	25	22	11	
9	48	37	30	25	43	33	27	27	22	19	10	
10	45	34	27	22	41	31	25	25	20	17	9	

Avg. Luminance (cd/m2)

Vertical Angle	Horizontal Angle		
	0	90	180
55	4017	1291	3104
65	2609	1097	2673
75	687	973	1660
85	382	779	930

Distribution

Hemisphere	70% Up / 30% Down
Peak/Zenith	4.31
Peak Output	1308 cd
Glare Control	Meets RP-1-12 recommendations for VDT-Critical spaces

Sona wall (1LC Up) LED

3200 lm/4ft 70% Up

3000/3500/4000K

Optical Performance

Nominal CCT:	3000K	3500K	4000K
Flux (lm)	3073	3198	3266
Efficacy (lm/W)	113.4	118.0	120.5
Power (W)	27.1	27.1	27.1
CCT (K)	3020	3378	3958
CRI	84	83	84
R9	11	9	11
x	0.4361	0.4138	0.3835
y	0.4048	0.3976	0.3820
Duv	0.0003	0.0012	0.0016

Electrical Performance - 3500K

Input Voltage	120V	277V	347V
Input Power	27.1W	27.2W	26.7W
Input Current	0.23A	0.10A	0.08A
Power Factor	0.992	0.938	0.948
Total Harm. Distortion	9.4%	12.7%	12.0%

Tested values . contact technical support for rated values. Off-state power zero unless certain controls are specified.

