



# Linear

## Sona wall (1LC Up) LED

2100 lm/4ft 70% Up  
3000/3500/4000K



Project: \_\_\_\_\_  
 Spec Type: \_\_\_\_\_  
 Catalog No: 7708LxGAA \_\_\_\_\_  
 Qty \_\_\_\_\_  
 Line Notes: \_\_\_\_\_

Incredible efficacy & boundless lighting choices mean the re-engineered Sona suspended LED is destined to become a future classic. Flexible up/down distributions and tailored LED optics mean you always have the right light for every task.

### Ordering guide

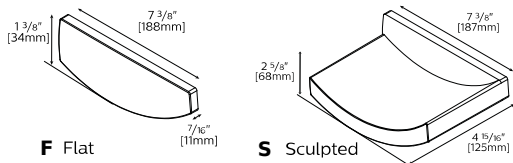
Product Type	Source	Color Temp *	Lumens *	Lower Optics	Upper Optics	Run Length	Wiring †	Voltage	Driver	Finish
7708	L		G	A	A					
Sona 1LC wall Wall Indirect/Direct	L LED	A 4000K B 3500K C 3000K	C 4500 lm/4ft E 3200 lm/4ft G 2100 lm/4ft	V White Louver A Curved Acrylic Diffuser	A Acrylic Diffuser	04 4' 08 8' XX Total run length (4' increments)	7 1 cct Dimming E 2 cct A/B Dimming M 1 cct Dimming + EM Wiring N 1 cct Dimming + EM Batt. Pack	1 120V 2 277V 3 347V	E Philips Advance 0-10V (1% dim)	W Standard White T Titanium Silver B Black C Custom

\* Nominal values within a range. Down kits reduce output & efficacy. Consult photometry data for color temp, lumens & distribution of chosen configuration.  
 † Not all wiring types are available with all configurations. Consult Philips Ledalite for a complete list of available options.

### Mounting Hardware

**Mount Type**  
 Consult separate mounting spec sheet for mount type options

### Endcaps -



# Sona wall (1LC Up) LED

2100 lm/4ft 70% Up

3000/3500/4000K

## Optical System

**1 Light Chamber Upper:** Lateral-facing LED arrays deliver light into both the upper and lower hemispheres, giving a highly efficient, native 70% up / 30% down distribution with a wide, homogeneous upper batwing distribution. A fully indirect version with a solid lower housing can be specified, as well as a 50% down-light kit option.

**1 Light Chamber Lower:** A downward-facing LED array aims light into the lower hemisphere, for a highly efficient, fully direct distribution or optional 80% down version.

**2 Light Chambers:** Both lateral-facing and downward-facing LED arrays are combined in separate upper and lower chambers for the ultimate in up/down distribution control.

**Lenses:** On the upper surface an engineered diffuser smooths the light distribution on the ceiling and acts as a dust cover. On the lower surface, two 4" wide optics are available: either a curved, engineered acrylic diffuse lens flush to the housing; or a white louver with regressed diffuser for improved high angle cut-off and visual comfort.

## Endcaps

Diecast aluminum endcaps, either Sculpted (curved) or Flat.

## Finish

High quality powder coated, available in matte white, black or titanium silver. Other custom colors, including pacific aqua, are available on request. White sensors only.

## Housing

Precision formed 18 gauge cold-rolled steel. Cross section size (approx.): 2.6" h x 9" w (suspended) or 7.4" w (wall mount).

## Weight

Maximum: Suspended 4.9lb/ft, Wall 3.4lb/ft

## Electrical

Factory pre-wired to section ends with quick-wire connectors.

## Standard Drivers

Philips Advance Xitanium 0-10V, 1-100%. Philips Advance Xitanium SR, 5-100% (for SpaceWise DT). Class 2 rated output. Consult Philips Ledalite for other available drivers.

## Standard Battery Pack

Philips Bodine, 90 min, 10W, Class 2 rated output, Emergency lumen output = 10W x luminaire efficacy x 1.1. Typical output: suspended 1400lm, wall 1200lm.

## Lumen Maintenance

LEDs have been tested by the manufacturer in accordance with IESNA LM-80-08. At an ambient temperature of 25°C, the LED lumen maintenance expectation according to IES TM-21-11 is:

L80 (12k) >72,000 hrs (**Reported** methodology)

L80 (12k) 110,000 hrs (**Projected** methodology).

## Source Color

LEDs rated for color rendering CRI >80, R9 >0 and fixture to fixture color accuracy within 2 SDCM.

## Controls

Suspended version (1 light chamber only) available with the following integrated controls:

Response daylight sensor (for single zone).

SpaceWise DT occupancy & daylight sensor w/ advanced grouping & dwell time.

SpaceWise DT commissioning via Android phone and Philips Field App. Compatible dimming wireless wall switches are available. For more information, please refer to [www.philips.com/spacewise](http://www.philips.com/spacewise)

## Mounting

**Suspended:** Rapid installation sling mount at joints and ends. High strength aircraft cable and stainless steel gripper provide unlimited vertical adjustment and are independently tested to stringent safety standards.

**Wall:** A hidden steel rail and bracket system attaches to the existing structure and supports housings close to the wall. Mount positioning is fully variable along the modules to accommodate site conditions, spaced up to 4½' on center and within 6" of an end or joint.

## Joints

Self-aligning, gasketed joining system with hands-free wiring feature.

## Approvals

Certified to UL, CSA and IES standards. Most suspended versions (except 1 light chamber down with louver) are DesignLights Consortium® qualified. Please see the DLC QPL list for exact catalog numbers ([www.designlights.org/QPL](http://www.designlights.org/QPL)).

## Warranty

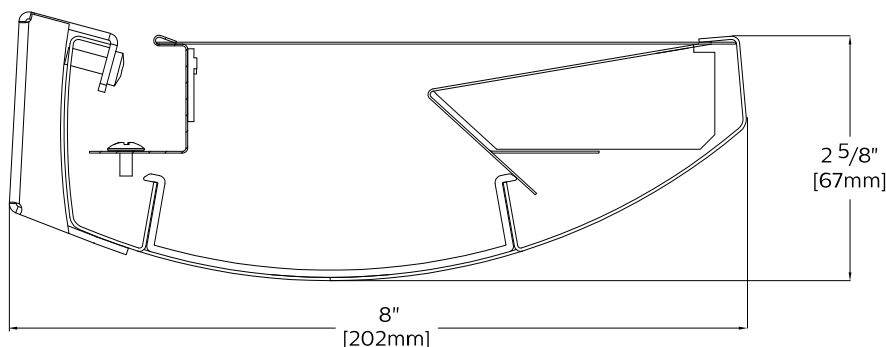
Philips indoor professional luminaires 5 year LED warranty: [www.philips.com/warranties](http://www.philips.com/warranties)

## Environment

Rated for dry or damp locations in operating ambient temperatures 0–40°C (32–104°F). Certain luminaire components may be adversely affected by contaminants. Damage caused by sulfur, chlorine, petroleum based solutions or other contaminants in the area of operation are not covered under warranty. Not suitable for natatorium environments.

Due to continuing product improvements, Philips Ledalite reserves the right to change the specifications without notice.

## Dimensions - Cross Section



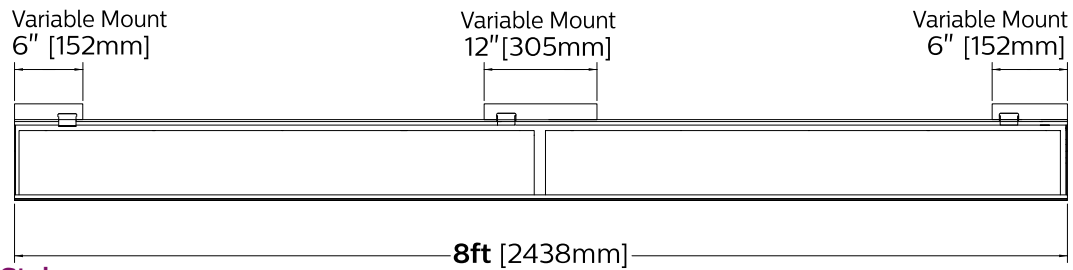
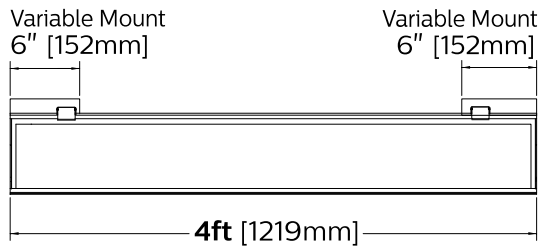
# Sona wall (1LC Up) LED

2100 lm/4ft 70% Up

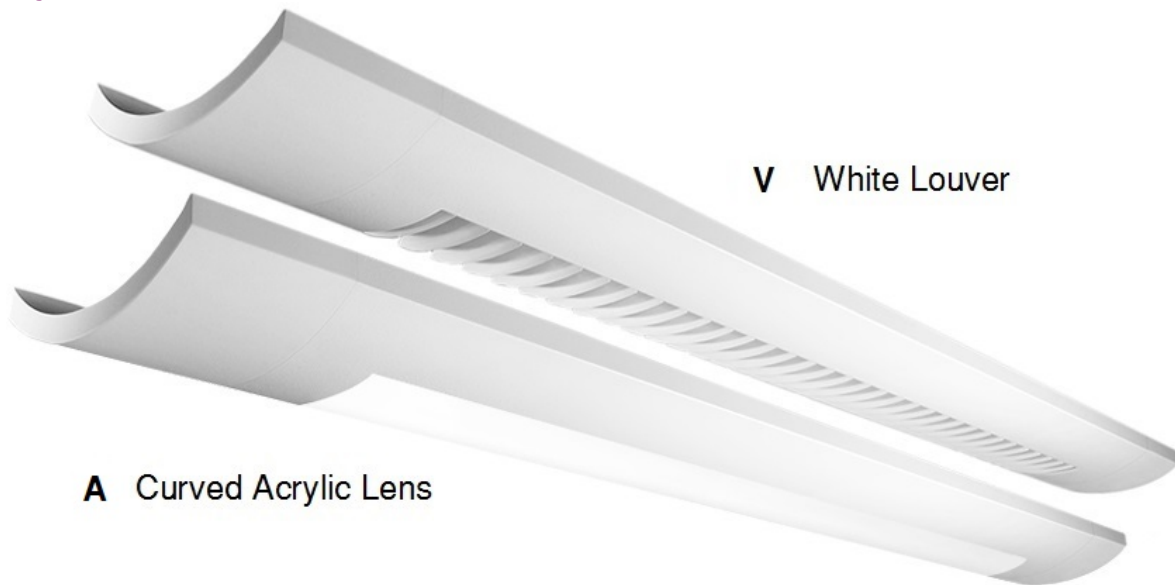
3000/3500/4000K

## Dimensions - Modules

Wall Mount - Top view, no end caps



## Optics and Styles

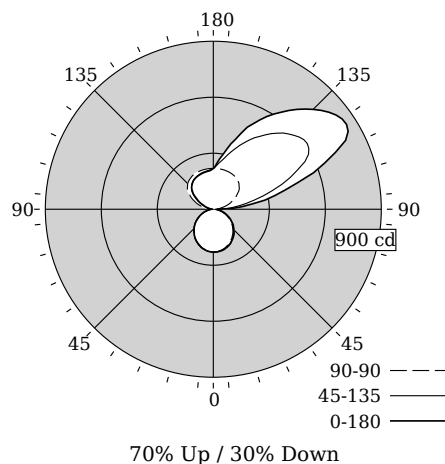


# Sona wall (1LC Up) LED

2100 lm/4ft 70% Up

3000/3500/4000K

## Photometry - 3500K



## Candela Distribution

Vertical Angle	Horizontal Angle				Zonal Lumens
	0	45	90	135	
0	230	230	230	230	0
5	230	229	228	228	22
15	223	222	219	218	62
25	208	206	201	200	93
35	185	183	176	176	111
45	155	155	147	146	115
55	123	120	114	112	103
65	86	85	78	77	78
75	53	49	42	42	47
85	23	20	10	16	19
90	23	26	3	8	12
95	152	101	23	9	56
105	399	277	71	38	154
115	723	497	120	77	262
125	843	614	165	127	306
135	757	570	195	165	269
145	635	487	208	187	204
155	505	394	215	199	135
165	362	303	218	205	73
175	252	239	219	211	22
180	219	219	219	219	0

Values per 4ft unit

Fixture photometry has been conducted in accordance with IESNA LM-79-08

IES files for this and other photometric options can be downloaded online at [www.lightingproducts.philips.com](http://www.lightingproducts.philips.com)

## Coefficients of Utilization (%)

RCR	Ceiling										Wall													
	70	50	30	10	70	50	30	10	50	30	10	0	70	50	30	10	70	50	30	10	0			
0	102	102	102	102	92	92	92	72	72	72	30	0	102	102	102	102	92	92	92	72	72	72	30	0
1	93	89	85	82	84	80	77	63	61	59	25	0	93	89	85	82	84	80	77	63	61	59	25	0
2	85	77	71	66	76	70	65	55	52	49	21	0	85	77	71	66	76	70	65	55	52	49	21	0
3	77	68	61	55	69	61	55	48	44	41	18	0	77	68	61	55	69	61	55	48	44	41	18	0
4	70	60	52	46	63	54	47	43	38	34	15	0	70	60	52	46	63	54	47	43	38	34	15	0
5	65	53	45	39	58	48	41	38	33	29	13	0	65	53	45	39	58	48	41	38	33	29	13	0
6	59	48	40	34	53	43	36	34	29	26	11	0	59	48	40	34	53	43	36	34	29	26	11	0
7	55	43	35	30	49	39	32	31	26	22	10	0	55	43	35	30	49	39	32	31	26	22	10	0
8	51	39	31	26	45	35	28	28	23	20	9	0	51	39	31	26	45	35	28	28	23	20	9	0
9	47	35	28	23	42	32	26	26	21	18	8	0	47	35	28	23	42	32	26	26	21	18	8	0
10	44	32	25	20	39	29	23	24	19	16	7	0	44	32	25	20	39	29	23	24	19	16	7	0

## Avg. Luminance (cd/m2)

Vertical Angle	Horizontal Angle		
	0	90	180
55	1787	1784	1638
65	1631	1656	1465
75	1506	1428	1272
85	1438	1017	1170

## Distribution

Hemisphere	70% Up / 30% Down
Peak/Zenith	3.87
Peak Output	846 cd
Glare Control	Meets RP-1-12 recommendations for VDT-Critical spaces

# Sona wall (1LC Up) LED

2100 lm/4ft 70% Up

3000/3500/4000K

## Optical Performance

Nominal CCT:	3000K	3500K	4000K
Flux (lm)	2047	2130	2175
Efficacy (lm/W)	119.7	124.6	127.2
Power (W)	17.1	17.1	17.1
CCT (K)	3020	3378	3958
CRI	84	83	84
R9	11	9	11
x	0.4361	0.4138	0.3835
y	0.4048	0.3976	0.3820
Duv	0.0003	0.0012	0.0016

## Electrical Performance - 3500K

Input Voltage	120V	277V	347V
Input Power	17.1W	17.3W	17.5W
Input Current	0.14A	0.07A	0.05A
Power Factor	0.991	0.948	0.960
Total Harm. Distortion	10.7%	14.5%	13.0%

Tested values . contact technical support for rated values. Off-state power zero unless certain controls are specified.

