



# Linear

Sona suspended (1LC Up)

6100 lm/4ft w/ 50% Down Kit  
3000/3500/4000K



Project: \_\_\_\_\_  
Spec Type: \_\_\_\_\_  
Catalog No: 7705LxBAD  
Qty \_\_\_\_\_  
Line Notes: \_\_\_\_\_

Incredible efficacy & boundless lighting choices mean the re-engineered Sona suspended LED is destined to become a future classic. Flexible up/down distributions and tailored LED optics mean you always have the right light for every task.

## Ordering guide

Product Type	Source	Color Temp *	Lumens *	Lower Optics	Upper Optics	Run Length	Wiring †	Voltage	Driver	Finish
<input type="text" value="7705"/>	<input type="text" value="L"/>	<input type="text"/>	<input type="text" value="B"/>	<input type="text" value="A"/>	<input type="text" value="D"/>	<input type="text"/>	<input type="text"/>	<input type="text"/>	<input type="text"/>	<input type="text"/>
Sona 1LC suspended Indirect/Direct	L LED	A 4000K B 3500K C 3000K	B 6100 lm/4ft C 4500 lm/4ft E 3100 lm/4ft	V White Louver A Curved Acrylic Diffuser	A Acrylic Diffuser (70-75% up) D Diffuser with 50% Down Kit	04 4' 08 8' XX Total run length (4' increments)	7 1 cct Dimming E 2 cct A/B Dimming (Alt. 4ft) M 1 cct Dimming + EM Wiring N 1 cct Dimming + EM Batt. Pack	1 120V 2 277V 3 347V	E Philips Advance 0-10V (1% dim) S Philips Advance Sensor Ready (5% dim)	W Standard White T Titanium Silver B Black C Custom

\* Nominal values within a range. Down kits reduce output & efficacy. Consult photometry data for CRI, color temp, lumens & distribution of chosen configuration.

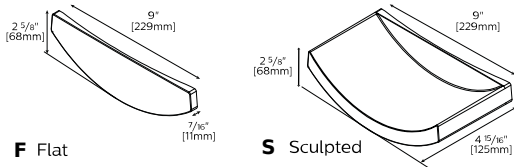
† Not all wiring types are available with all configurations. Consult Philips Ledalite for a complete list of available options.

## Mounting Hardware

**Mount Type**  
Consult separate mounting spec sheet for mount type options:  
**Ledalite Suspended Mounting Options**

**Suspension Length**  
Distance from ceiling to top of luminaire in inches

Endcaps -



**Integrated Controls** Please indicate with check mark.

- Response Daylight Single Zone (DS)
- SpaceWise DT Occupancy & Daylight Sensor (SZ)



# Sona suspended (1LC Up)

6100 lm/4ft w/ 50% Down Kit

3000/3500/4000K

## Optical System

**1 Light Chamber Upper:** Lateral-facing LED arrays deliver light into both the upper and lower hemispheres, giving a highly efficient, native 70% up / 30% down distribution with a wide, homogeneous upper batwing distribution. A fully indirect version with a solid lower housing can be specified, as well as a 50% down-light kit option.

**1 Light Chamber Lower:** A downward-facing LED array aims light into the lower hemisphere, for a highly efficient, fully direct distribution or optional 80% down version.

**2 Light Chambers:** Both lateral-facing and downward-facing LED arrays are combined in separate upper and lower chambers for the ultimate in up/down distribution control.

**Lenses:** On the upper surface an engineered diffuser smooths the light distribution on the ceiling and acts as a dust cover. On the lower surface, two 4" wide optics are available: either a curved, engineered acrylic diffuse lens flush to the housing; or a white louver with regressed diffuser for improved high angle cut-off and visual comfort.

## Endcaps

Diecast aluminum endcaps, either Sculpted (curved) or Flat.

## Finish

High quality powder coated, available in matte white, black or titanium silver. Other custom colors, including pacific aqua, are available on request. White sensors only.

## Housing

Precision formed 18 gauge cold-rolled steel. Cross section size (approx.): 2.6" h x 9" w (suspended) or 7.4" w (wall mount).

## Weight

Maximum: Suspended 4.9lb/ft, Wall 3.4lb/ft

## Electrical

Factory pre-wired to section ends with quick-wire connectors.

## Standard Drivers

Philips Advance Xitanium 0-10V, 1-100%.

Philips Advance Xitanium Sensor Ready, 5-100%. Class 2 rated output. Consult Philips Ledalite for other available drivers.

## Standard Battery Pack

Philips Bodine, 90 min, 10W, Class 2 rated output. Emergency lumen output = 10W x luminaire efficacy x 1.1. Typical output: suspended 1400lm, wall 1200lm.

## Lumen Maintenance

LEDs have been tested by the manufacturer in accordance with IESNA LM-80-08. At an ambient temperature of 25°C, the LED lumen maintenance expectation according to IES TM-21-11 is:

L80 (12k) >72,000 hrs (**Reported** methodology)

L80 (12k) 110,000 hrs (**Projected** methodology).

## Source Color

LEDs rated for color rendering CRI >80, R9 >0 and fixture to fixture color accuracy within 3 SDCM.

## Controls

Suspended version (1 light chamber only) available with the following integrated controls:

Response Daylight Sensors

SpaceWise DT Occupancy & Daylight Sensors w/ advanced grouping & Dwell Time.

\*SpaceWise DT commissioning is via a compatible Android phone and Philips Field App. Compatible wireless dimming wall switches are available for dimming. 347V is not available as a standard option. For more information, please refer to [www.philips.com/spacewise](http://www.philips.com/spacewise)

## Mounting

**Suspended:** Rapid installation sling mount at joints and ends. High strength aircraft cable and stainless steel gripper provide unlimited vertical adjustment and are independently tested to stringent safety standards. Variable mounting along the length of the housing is available for certain configurations upon request.

**Wall:** A hidden steel rail and bracket system attaches to the existing structure and supports housings close to the wall. Mount positioning is fully variable along the modules to accommodate site conditions, spaced up to 4½' on center and within 6" of an end or joint.

## Joints

Self-aligning, gasketed joining system with hands-free wiring feature.

## Approvals

Certified to UL, CSA and IES standards. Most suspended versions (except 1 light chamber down with louver) are DesignLights Consortium® qualified. Please see the DLC QPL list for exact catalog numbers ([www.designlights.org/QPL](http://www.designlights.org/QPL)).

## Warranty

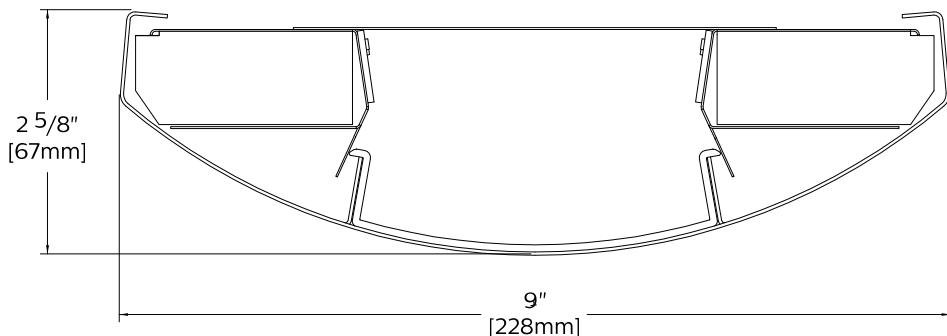
Philips indoor professional luminaires 5 year LED warranty: [www.philips.com/warranties](http://www.philips.com/warranties)

## Environment

Rated for dry or damp locations in operating ambient temperatures 0–40°C (32–104°F). Certain luminaire components may be adversely affected by contaminants. Damage caused by sulfur, chlorine, petroleum based solutions or other contaminants in the area of operation are not covered under warranty. Not suitable for natatorium environments.

Due to continuing product improvements, Philips Ledalite reserves the right to change the specifications without notice.

## Dimensions - Cross Section



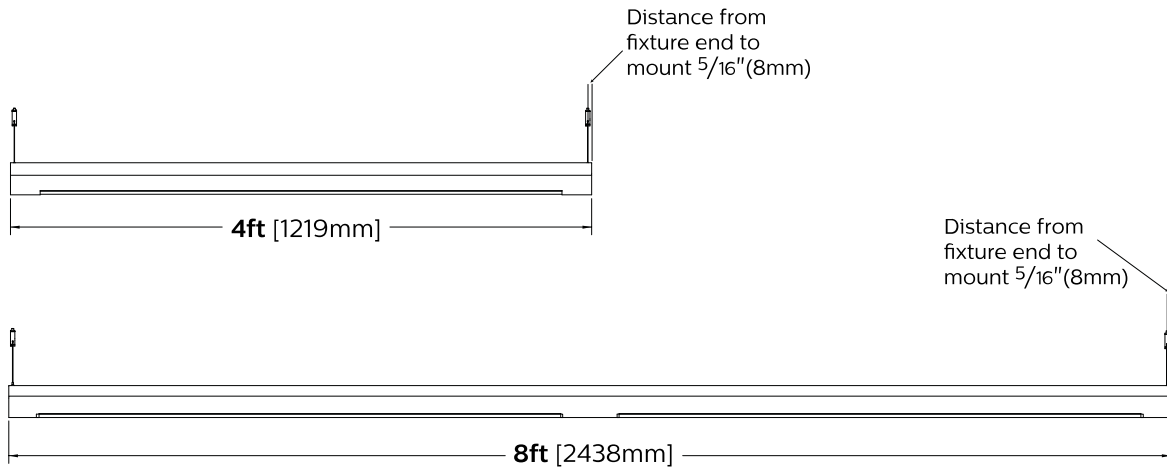
# Sona suspended (1LC Up)

6100 lm/4ft w/ 50% Down Kit

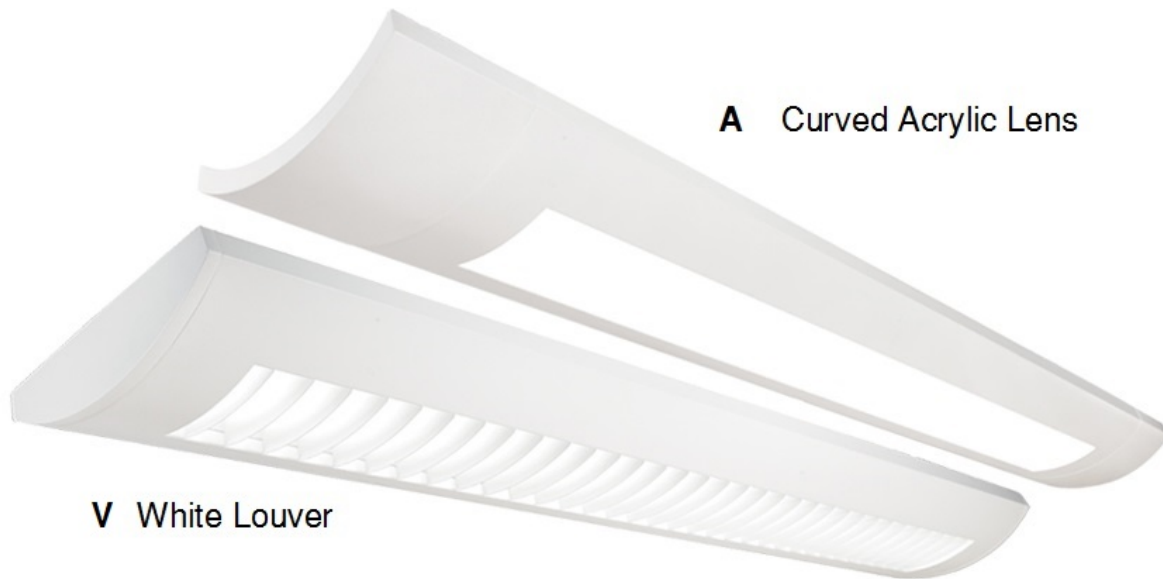
3000/3500/4000K

## Dimensions - Modules

Suspended - Side view, no end caps



## Optics and Styles

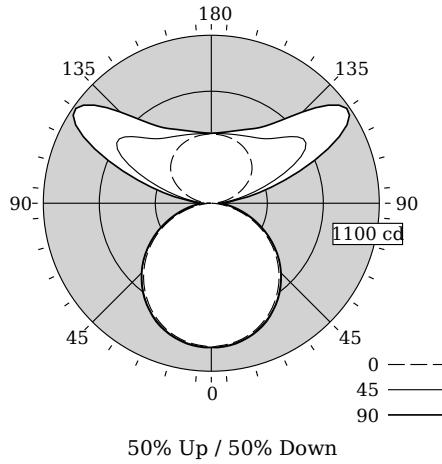


# Sona suspended (1LC Up)

6100 lm/4ft w/ 50% Down Kit

3000/3500/4000K

## Photometry @ CRI>80, 3500K



## Candela Distribution

Vertical Angle	Horizontal Angle				Zonal Lumens
	0	22.5	45	67.5	
0	944	944	944	944	0
5	933	941	940	943	89
15	902	908	910	913	257
25	838	844	848	853	391
35	743	752	758	761	473
45	625	633	643	644	493
55	487	497	503	505	448
65	334	342	349	354	344
75	175	183	197	208	208
85	41	56	79	95	100
90	2	22	46	65	76
95	41	59	85	110	103
105	136	190	295	379	304
115	231	347	595	788	843
125	316	439	735	1002	1083
135	373	444	604	776	846
145	410	447	522	588	617
155	434	452	488	522	533
165	447	456	468	482	487
175	452	458	459	461	462
180	458	458	458	458	0

Values per 4ft unit

Fixture photometry has been conducted in accordance with IESNA LM-79-08

IES files for this and other photometric options can be downloaded online at [www.lightingproducts.philips.com](http://www.lightingproducts.philips.com)

## Coefficients of Utilization (%)

RCR	Ceiling		80		70		50		0		
	70	50	30	10	70	50	30	10	0	0	
0	107	107	107	107	99	99	99	83	83	83	50
1	97	93	89	85	90	86	82	72	70	68	41
2	88	81	74	69	81	75	69	63	59	55	34
3	81	71	63	57	74	65	59	55	50	46	29
4	74	62	54	48	67	58	51	49	44	39	24
5	67	56	47	41	62	52	44	44	38	34	21
6	62	50	42	36	57	46	39	39	34	29	18
7	57	45	37	31	53	42	34	36	30	26	16
8	53	41	33	27	49	38	31	32	27	23	14
9	49	37	29	24	46	35	28	30	24	20	13
10	46	34	27	22	43	32	25	27	22	18	12

## Avg. Luminance (cd/m2)

Vertical Angle	Horizontal Angle		
	0	45	90
55	7634	7443	7399
65	7079	6805	6796
75	5996	5867	6082
85	4050	5326	6145

## Distribution

Hemisphere	50% Up / 50% Down
Spacing Along (0°)	1.25
Spacing Across (90°)	1.28

Philips Ledalite

**LED lighting facts**  
A Program of the U.S. DOE

---

**Light Output (Lumens)** **5587**

**Watts** **45.5**

**Lumens per Watt (Efficacy)** **122.79**

---

**Color Accuracy**  
Color Rendering Index (CRI) **83**

---

**Light Color**  
Correlated Color Temperature (CCT) **3378 (Bright White)**

2700K    3000K    4500K    6500K

---

All results are according to IESNA LM-79-2008: Approved Method for the Electrical and Photometric Testing of Solid-State Lighting. The U.S. Department of Energy (DOE) verifies product test data and results.

Visit [www.lightingfacts.com](http://www.lightingfacts.com) for the Label Reference Guide.

Registration Number: F46Z-PFIRNO (5/5/2017)  
Model Number: 7705LBBAD  
Type: Luminaire - Linear

# Sona suspended (1LC Up)

6100 lm/4ft w/ 50% Down Kit

3000/3500/4000K

## Optical Performance @ 120V

Nominal Spec:	3000K	3500K	4000K
Flux (lm)	5366	5587	5706
Efficacy (lm/W)	117.9	122.8	124.6
Power (W)	45.5	45.5	45.8
CCT (K)	3020	3378	3958
CRI	84	83	84
R9	11	9	11
x	0.4361	0.4138	0.3835
y	0.4048	0.3976	0.3820
Duv	0.0003	0.0012	0.0016

## Electrical Performance @ CRI>80, 3500K

Input Voltage	120V	277V	347V
Input Power	45.5W	45.0W	45.4W
Input Current	0.38A	0.17A	0.13A
Power Factor	0.995	0.971	0.987
Total Harm. Distortion	6.8%	10.5%	8.0%

Tested values – contact technical support for rated values. Off-state power zero unless certain controls are specified.

With SpaceWise DT, standby power <0.5W (120V) or <0.8W (277V).

