



Linear

Sona wall (1LC Dn) LED

4700 lm/4ft, Direct
3000/3500/4000K



Project: _____
Spec Type: _____
Catalog No: 7718LxCVN
Qty _____
Line Notes: _____

Incredible efficacy & boundless lighting choices mean the re-engineered Sona suspended LED is destined to become a future classic. Flexible up/down distributions and tailored LED optics mean you always have the right light for every task.

Ordering guide

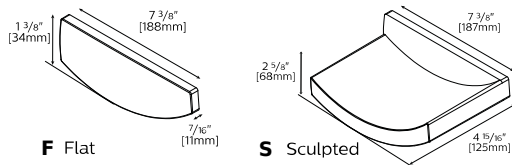
Product Type	Source	Color Temp *	Lumens *	Lower Optics	Upper Optics	Run Length	Wiring †	Voltage	Driver	Finish
7718	L		C	V	N					
Sona 1LC wall Wall Direct	L LED	A 4000K B 3500K C 3000K	C 4700 lm/4ft E 3400 lm/4ft G 2200 lm/4ft	V White Louver A Curved Acrylic Diffuser	N Solid (100% down) G Acrylic diffuser (75-80% down)	04 4' 08 8' XX Total run length (4' increments)	7 1 cct Dimming E 2 cct A/B Dimming M 1 cct Dimming + EM Wiring N 1 cct Dimming + EM Batt. Pack	1 120V 2 277V 3 347V	E Philips Advance 0-10V (1% dim)	W Standard White T Titanium Silver B Black C Custom

* Nominal values within a range. Down kits reduce output & efficacy. Consult photometry data for color temp, lumens & distribution of chosen configuration.
† Not all wiring types are available with all configurations. Consult Philips Ledalite for a complete list of available options.

Mounting Hardware

Mount Type
Consult separate mounting spec sheet for mount type options

Endcaps -



Sona wall (1LC Dn) LED

4700 lm/4ft, Direct

3000/3500/4000K

Optical System

1 Light Chamber Upper: Lateral-facing LED arrays deliver light into both the upper and lower hemispheres, giving a highly efficient, native 70% up / 30% down distribution with a wide, homogeneous upper batwing distribution. A fully indirect version with a solid lower housing can be specified, as well as a 50% down-light kit option.

1 Light Chamber Lower: A downward-facing LED array aims light into the lower hemisphere, for a highly efficient, fully direct distribution or optional 80% down version.

2 Light Chambers: Both lateral-facing and downward-facing LED arrays are combined in separate upper and lower chambers for the ultimate in up/down distribution control.

Lenses: On the upper surface an engineered diffuser smooths the light distribution on the ceiling and acts as a dust cover. On the lower surface, two 4" wide optics are available: either a curved, engineered acrylic diffuse lens flush to the housing; or a white louver with regressed diffuser for improved high angle cut-off and visual comfort.

Endcaps

Diecast aluminum endcaps, either Sculpted (curved) or Flat.

Finish

High quality powder coated, available in matte white, black or titanium silver. Other custom colors, including pacific aqua, are available on request. White sensors only.

Housing

Precision formed 18 gauge cold-rolled steel. Cross section size (approx.): 2.6" h x 9" w (suspended) or 7.4" w (wall mount).

Weight

Maximum: Suspended 4.9lb/ft, Wall 3.4lb/ft

Electrical

Factory pre-wired to section ends with quick-wire connectors.

Standard Drivers

Philips Advance Xitanium 0-10V, 1-100%. Philips Advance Xitanium SR, 5-100% (for SpaceWise DT). Class 2 rated output. Consult Philips Ledalite for other available drivers.

Standard Battery Pack

Philips Bodine, 90 min, 10W, Class 2 rated output, Emergency lumen output = 10W x luminaire efficacy x 1.1. Typical output: suspended 1400lm, wall 1200lm.

Lumen Maintenance

LEDs have been tested by the manufacturer in accordance with IESNA LM-80-08. At an ambient temperature of 25°C, the LED lumen maintenance expectation according to IES TM-21-11 is:

L80 (12k) >72,000 hrs (**Reported** methodology)

L80 (12k) 110,000 hrs (**Projected** methodology).

Source Color

LEDs rated for color rendering CRI >80, R9 >0 and fixture to fixture color accuracy within 2 SDCM.

Controls

Suspended version (1 light chamber only) available with the following integrated controls:

Response daylight sensor (for single zone).

SpaceWise DT occupancy & daylight sensor w/ advanced grouping & dwell time.

SpaceWise DT commissioning via Android phone and Philips Field App. Compatible dimming wireless wall switches are available. For more information, please refer to www.philips.com/spacewise

Mounting

Suspended: Rapid installation sling mount at joints and ends. High strength aircraft cable and stainless steel gripper provide unlimited vertical adjustment and are independently tested to stringent safety standards.

Wall: A hidden steel rail and bracket system attaches to the existing structure and supports housings close to the wall. Mount positioning is fully variable along the modules to accommodate site conditions, spaced up to 4½' on center and within 6" of an end or joint.

Joints

Self-aligning, gasketed joining system with hands-free wiring feature.

Approvals

Certified to UL, CSA and IES standards. Most suspended versions (except 1 light chamber down with louver) are DesignLights Consortium® qualified. Please see the DLC QPL list for exact catalog numbers (www.designlights.org/QPL).

Warranty

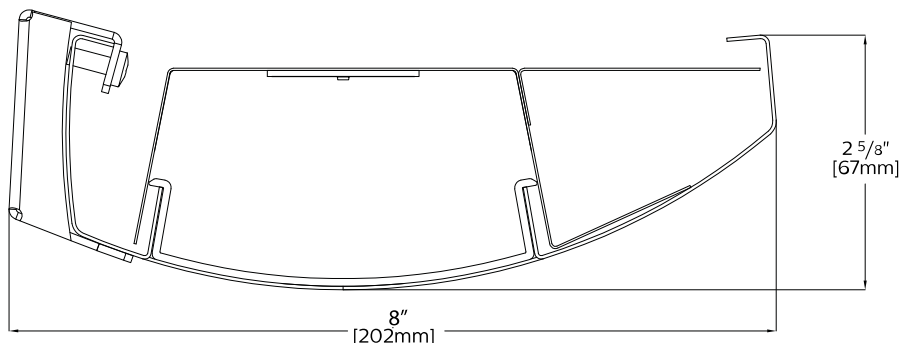
Philips indoor professional luminaires 5 year LED warranty: www.philips.com/warranties

Environment

Rated for dry or damp locations in operating ambient temperatures 0–40°C (32–104°F). Certain luminaire components may be adversely affected by contaminants. Damage caused by sulfur, chlorine, petroleum based solutions or other contaminants in the area of operation are not covered under warranty. Not suitable for natatorium environments.

Due to continuing product improvements, Philips Ledalite reserves the right to change the specifications without notice.

Dimensions - Cross Section

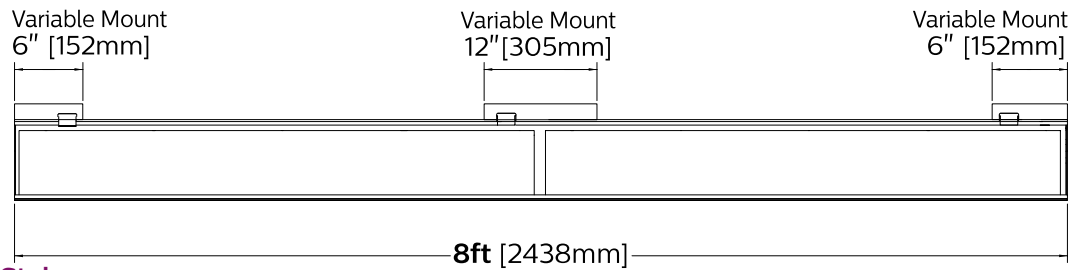
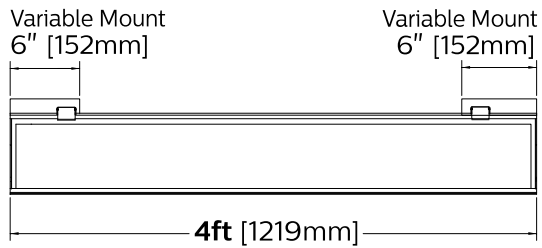


Sona wall (1LC Dn) LED

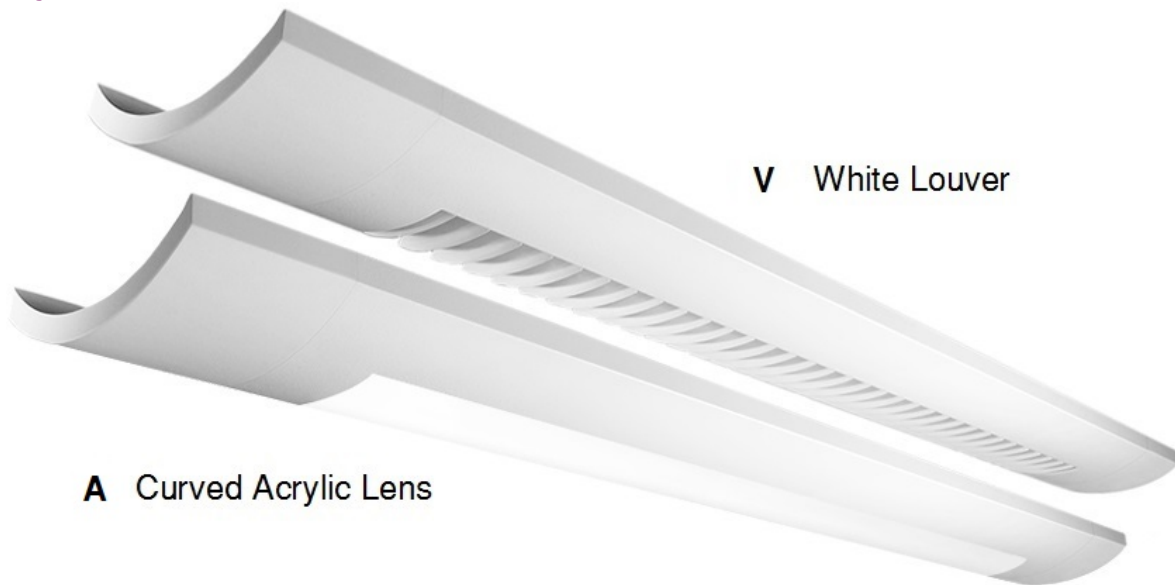
4700 lm/4ft, Direct
3000/3500/4000K

Dimensions - Modules

Wall Mount - Top view, no end caps



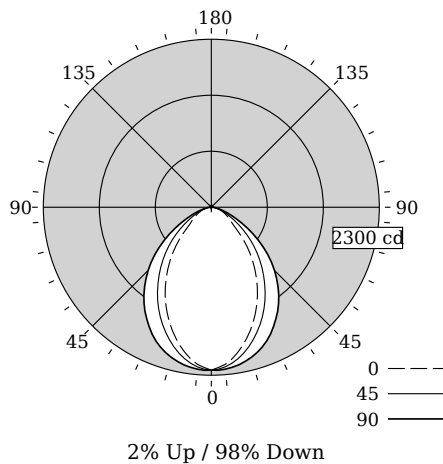
Optics and Styles



Sona wall (1LC Dn) LED

4700 lm/4ft, Direct
3000/3500/4000K

Photometry - 3500K



Candela Distribution

Vertical Angle	Horizontal Angle				Zonal Lumens
	0	22.5	45	67.5	
0	2229	2229	2229	2229	2229
5	2160	2184	2194	2216	2225
15	1863	1903	1979	2080	2126
25	1473	1529	1654	1823	1917
35	1040	1116	1272	1478	1606
45	612	699	887	1094	1223
55	325	355	523	692	785
65	202	216	256	340	382
75	104	111	125	143	146
85	27	32	45	48	41
90	1	12	24	26	11
95	3	8	15	17	12
105	3	13	13	14	14
115	3	18	18	18	16
125	3	11	25	23	23
135	3	9	23	30	29
145	3	7	18	21	21
155	3	5	10	18	15
165	3	4	7	10	7
175	3	3	4	4	3
180	3	3	3	3	3

Values per 4ft unit

Fixture photometry has been conducted in accordance with IESNA LM-79-08

IES files for this and other photometric options can be downloaded online at www.lightingproducts.philips.com

Coefficients of Utilization (%)

RCR	Ceiling				Wall				0		
	70	50	30	10	70	50	30	10			
0	119	119	119	119	116	116	116	110	110	110	98
1	110	106	102	99	107	104	100	99	96	94	85
2	102	95	89	84	99	93	87	89	84	80	74
3	94	85	78	72	91	83	77	80	74	70	65
4	87	76	69	63	85	75	68	72	66	61	57
5	81	69	61	55	79	68	61	66	59	54	51
6	75	63	55	49	73	62	55	60	53	48	45
7	70	58	50	44	68	57	49	55	49	44	41
8	66	53	45	40	64	52	45	51	44	40	37
9	62	49	42	37	60	49	41	47	41	36	34
10	58	46	38	34	57	45	38	44	38	33	31

Avg. Luminance (cd/m2)

Vertical Angle	Horizontal Angle		
	0	45	90
55	5098	7736	11404
65	4288	4995	7238
75	3573	3731	4173
85	2601	3046	2509

Distribution

Hemisphere	2% Up / 98% Down
Spacing Along (0 °)	0.92
Spacing Across (90 °)	1.18

Philips Ledalite

LED lighting facts
A Program of the U.S. DOE

Light Output (Lumens) **4068**
Watts **42.5**
Lumens per Watt (Efficacy) **95.72**

Color Accuracy
Color Rendering Index (CRI) **82**

Light Color
Correlated Color Temperature (CCT) **3448 (Bright White)**

2700K 3000K 4500K 6500K

All results are according to IESNA LM-79-2008: Approved Method for the Electrical and Photometric Testing of Solid-State Lighting. The U.S. Department of Energy (DOE) verifies product test data and results.

Visit www.lightingfacts.com for the Label Reference Guide.

Registration Number: F46Z-G52A7D (5/5/2017)
 Model Number: 771xLBCVN
 Type: Luminaire - Linear

Sona wall (1LC Dn) LED

4700 lm/4ft, Direct
3000/3500/4000K

Optical Performance

Nominal CCT:	3000K	3500K	4000K
Flux (lm)	3856	4068	4167
Efficacy (lm/W)	90.7	95.7	98.0
Power (W)	42.5	42.5	42.5
CCT (K)	2957	3448	3810
CRI	82	82	83
R9	2	3	6
x	0.4388	0.4106	0.3923
y	0.4027	0.3984	0.3921
Duv	0.0009	0.0021	0.0038

Electrical Performance - 3500K

Input Voltage	120V	277V	347V
Input Power	42.5W	41.1W	42.0W
Input Current	0.36A	0.15A	0.12A
Power Factor	0.995	0.968	0.976
Total Harm. Distortion	7.1%	10.8%	9.0%

Tested values . contact technical support for rated values. Off-state power zero unless certain controls are specified.

