



Linear

Sona wall (1LC Dn) LED

4700 lm/4ft, Direct
3000/3500/4000K



Project: _____
Spec Type: _____
Catalog No: 7718LxCAN
Qty _____
Line Notes: _____

Incredible efficacy & boundless lighting choices mean the re-engineered Sona suspended LED is destined to become a future classic. Flexible up/down distributions and tailored LED optics mean you always have the right light for every task.

Ordering guide

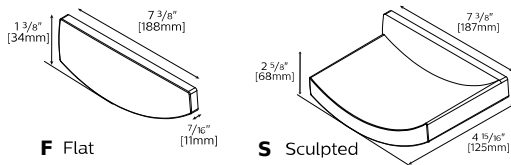
Product Type	Source	Color Temp *	Lumens *	Lower Optics	Upper Optics	Run Length	Wiring †	Voltage	Driver	Finish
7718	L		C	A	N					
Sona 1LC wall Wall Direct	L LED	A 4000K B 3500K C 3000K	C 4700 lm/4ft E 3400 lm/4ft G 2200 lm/4ft	V White Louver A Curved Acrylic Diffuser	N Solid (100% down) G Acrylic diffuser (75-80% down)	04 4' 08 8' XX Total run length (4' increments)	7 1 cct Dimming E 2 cct A/B Dimming M 1 cct Dimming + EM Wiring N 1 cct Dimming + EM Batt. Pack	1 120V 2 277V 3 347V	E Philips Advance 0-10V (1% dim)	W Standard White T Titanium Silver B Black C Custom

* Nominal values within a range. Down kits reduce output & efficacy. Consult photometry data for color temp, lumens & distribution of chosen configuration.
† Not all wiring types are available with all configurations. Consult Philips Ledalite for a complete list of available options.

Mounting Hardware

Mount Type
Consult separate mounting spec sheet for mount type options

Endcaps -



Sona wall (1LC Dn) LED

4700 lm/4ft, Direct

3000/3500/4000K

Optical System

1 Light Chamber Upper: Lateral-facing LED arrays deliver light into both the upper and lower hemispheres, giving a highly efficient, native 70% up / 30% down distribution with a wide, homogeneous upper batwing distribution. A fully indirect version with a solid lower housing can be specified, as well as a 50% down-light kit option.

1 Light Chamber Lower: A downward-facing LED array aims light into the lower hemisphere, for a highly efficient, fully direct distribution or optional 80% down version.

2 Light Chambers: Both lateral-facing and downward-facing LED arrays are combined in separate upper and lower chambers for the ultimate in up/down distribution control.

Lenses: On the upper surface an engineered diffuser smooths the light distribution on the ceiling and acts as a dust cover. On the lower surface, two 4" wide optics are available: either a curved, engineered acrylic diffuse lens flush to the housing; or a white louver with regressed diffuser for improved high angle cut-off and visual comfort.

Endcaps

Diecast aluminum endcaps, either Sculpted (curved) or Flat.

Finish

High quality powder coated, available in matte white, black or titanium silver. Other custom colors, including pacific aqua, are available on request. White sensors only.

Housing

Precision formed 18 gauge cold-rolled steel. Cross section size (approx.): 2.6" h x 9" w (suspended) or 7.4" w (wall mount).

Weight

Maximum: Suspended 4.9lb/ft, Wall 3.4lb/ft

Electrical

Factory pre-wired to section ends with quick-wire connectors.

Standard Drivers

Philips Advance Xitanium 0-10V, 1-100%. Philips Advance Xitanium SR, 5-100% (for SpaceWise DT). Class 2 rated output. Consult Philips Ledalite for other available drivers.

Standard Battery Pack

Philips Bodine, 90 min, 10W, Class 2 rated output, Emergency lumen output = 10W x luminaire efficacy x 1.1. Typical output: suspended 1400lm, wall 1200lm.

Lumen Maintenance

LEDs have been tested by the manufacturer in accordance with IESNA LM-80-08. At an ambient temperature of 25°C, the LED lumen maintenance expectation according to IES TM-21-11 is:

L80 (12k) >72,000 hrs (**Reported** methodology)

L80 (12k) 110,000 hrs (**Projected** methodology).

Source Color

LEDs rated for color rendering CRI >80, R9 >0 and fixture to fixture color accuracy within 2 SDCM.

Controls

Suspended version (1 light chamber only) available with the following integrated controls:

Response daylight sensor (for single zone).

SpaceWise DT occupancy & daylight sensor w/ advanced grouping & dwell time.

SpaceWise DT commissioning via Android phone and Philips Field App. Compatible dimming wireless wall switches are available. For more information, please refer to www.philips.com/spacewise

Mounting

Suspended: Rapid installation sling mount at joints and ends. High strength aircraft cable and stainless steel gripper provide unlimited vertical adjustment and are independently tested to stringent safety standards.

Wall: A hidden steel rail and bracket system attaches to the existing structure and supports housings close to the wall. Mount positioning is fully variable along the modules to accommodate site conditions, spaced up to 4½' on center and within 6" of an end or joint.

Joints

Self-aligning, gasketed joining system with hands-free wiring feature.

Approvals

Certified to UL, CSA and IES standards. Most suspended versions (except 1 light chamber down with louver) are DesignLights Consortium® qualified. Please see the DLC QPL list for exact catalog numbers (www.designlights.org/QPL).

Warranty

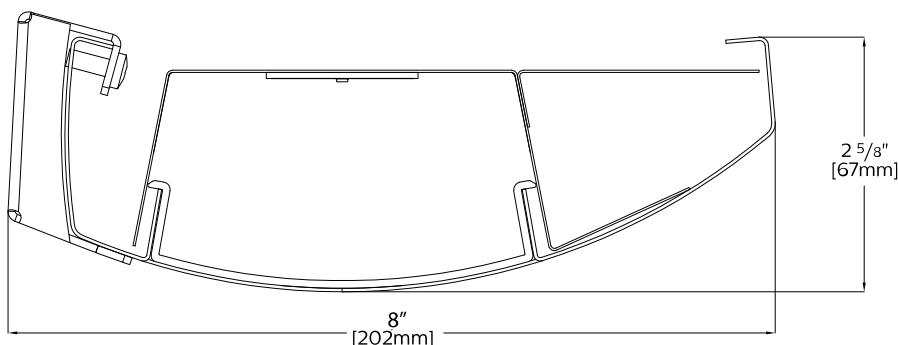
Philips indoor professional luminaires 5 year LED warranty: www.philips.com/warranties

Environment

Rated for dry or damp locations in operating ambient temperatures 0–40°C (32–104°F). Certain luminaire components may be adversely affected by contaminants. Damage caused by sulfur, chlorine, petroleum based solutions or other contaminants in the area of operation are not covered under warranty. Not suitable for natatorium environments.

Due to continuing product improvements, Philips Ledalite reserves the right to change the specifications without notice.

Dimensions - Cross Section

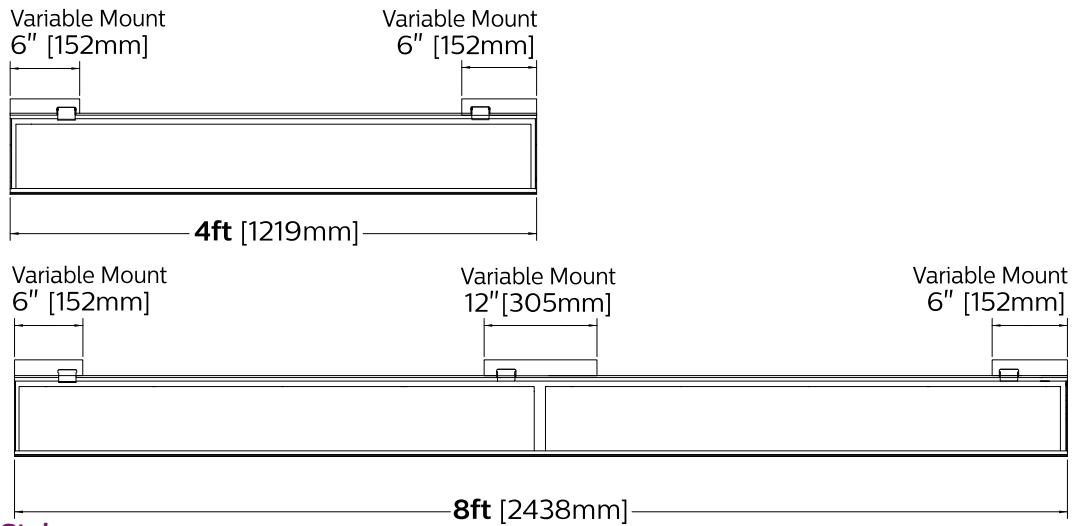


Sona wall (1LC Dn) LED

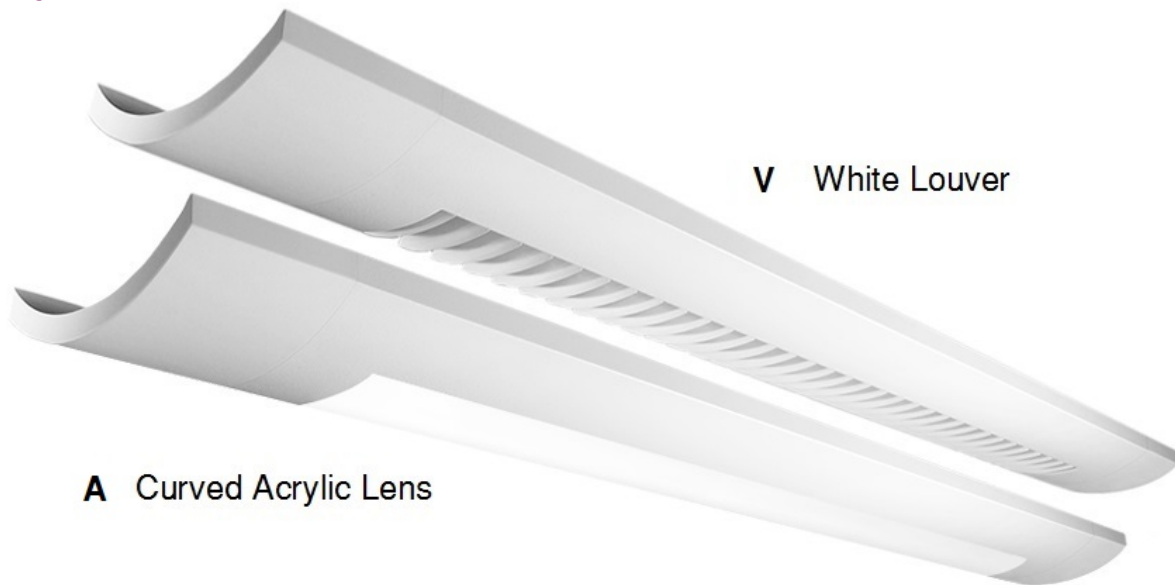
4700 lm/4ft, Direct
3000/3500/4000K

Dimensions - Modules

Wall Mount - Top view, no end caps



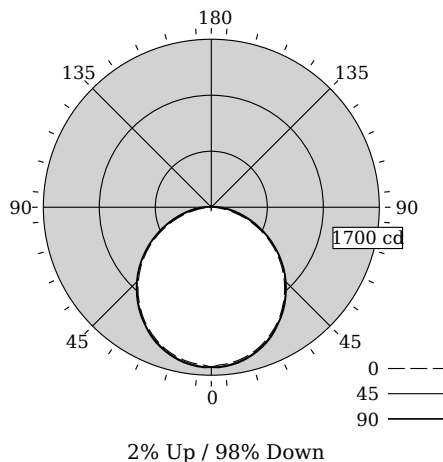
Optics and Styles



Sona wall (1LC Dn) LED

4700 lm/4ft, Direct
3000/3500/4000K

Photometry - 3500K



Candela Distribution

Vertical Angle	Horizontal Angle				Zonal Lumens
	0	22.5	45	67.5	
0	1618	1618	1618	1618	0
5	1594	1611	1609	1615	153
15	1536	1548	1550	1553	437
25	1418	1429	1430	1434	659
35	1250	1261	1262	1266	790
45	1043	1053	1062	1064	816
55	807	817	826	830	736
65	550	561	571	580	564
75	286	299	320	339	339
85	65	85	122	150	133
90	2	28	60	85	93
95	4	9	25	42	48
105	5	11	8	7	9
115	4	16	11	9	10
125	3	16	15	12	11
135	3	10	20	17	11
145	3	7	17	19	8
155	3	5	8	15	4
165	2	3	6	8	2
175	2	2	3	4	2
180	2	2	2	2	0

Values per 4ft unit

Fixture photometry has been conducted in accordance with IESNA LM-79-08

IES files for this and other photometric options can be downloaded online at www.lightingproducts.philips.com

Coefficients of Utilization (%)

RCR	Ceiling/Wall											
	70	50	30	10	70	50	30	50	30	10	0	0
0	119	119	119	119	116	116	116	110	110	110	98	98
1	108	103	98	94	105	100	96	96	93	89	81	81
2	98	90	83	77	95	87	81	84	78	74	67	67
3	89	78	70	64	87	77	69	73	67	62	57	57
4	82	69	61	54	79	68	60	65	58	52	48	48
5	75	62	53	46	73	61	52	58	51	45	42	42
6	69	56	47	40	67	55	46	53	45	40	36	36
7	64	51	42	36	62	50	41	48	40	35	32	32
8	60	46	38	32	58	45	37	44	37	31	29	29
9	56	42	34	29	54	42	34	40	33	28	26	26
10	52	39	31	26	51	39	31	37	30	26	23	23

Avg. Luminance (cd/m2)

Vertical Angle	Horizontal Angle		
	0	45	90
55	12645	12226	12112
65	11652	11124	11061
75	9821	9519	9869
85	6390	8230	9709

Distribution

Hemisphere	2% Up / 98% Down
Spacing Along (0 °)	1.23
Spacing Across (90 °)	1.25

Philips Ledalite

LED lighting facts
A Program of the U.S. DOE

Light Output (Lumens) 4714
Watts 42.5
Lumens per Watt (Efficacy) 110.92

Color Accuracy
Color Rendering Index (CRI) 82

Light Color
Correlated Color Temperature (CCT) 3448 (Bright White)

2700K 3000K 4500K 6500K

All results are according to IESNA LM-79-2008: Approved Method for the Electrical and Photometric Testing of Solid-State Lighting. The U.S. Department of Energy (DOE) verifies product test data and results.

Visit www.lightingfacts.com for the Label Reference Guide.

Registration Number: F46Z-3P2QU4 (5/5/2017)
Model Number: 771xLBCAN
Type: Luminaire - Linear

Sona wall (1LC Dn) LED

4700 lm/4ft, Direct
3000/3500/4000K

Optical Performance

Nominal CCT:	3000K	3500K	4000K
Flux (lm)	4469	4714	4830
Efficacy (lm/W)	105.2	110.9	113.6
Power (W)	42.5	42.5	42.5
CCT (K)	2957	3448	3810
CRI	82	82	83
R9	2	3	6
x	0.4388	0.4106	0.3923
y	0.4027	0.3984	0.3921
Duv	0.0009	0.0021	0.0038

Electrical Performance - 3500K

Input Voltage	120V	277V	347V
Input Power	42.5W	41.1W	42.0W
Input Current	0.36A	0.15A	0.12A
Power Factor	0.995	0.968	0.976
Total Harm. Distortion	7.1%	10.8%	9.0%

Tested values . contact technical support for rated values. Off-state power zero unless certain controls are specified.

