



# Linear

## Sona wall (1LC Dn) LED

3400 lm/4ft 80% Down  
3000/3500/4000K



Project: \_\_\_\_\_  
Spec Type: \_\_\_\_\_  
Catalog No: 7718LxEAG \_\_\_\_\_  
Qty \_\_\_\_\_  
Line Notes: \_\_\_\_\_

Incredible efficacy & boundless lighting choices mean the re-engineered Sona suspended LED is destined to become a future classic. Flexible up/down distributions and tailored LED optics mean you always have the right light for every task.

### Ordering guide

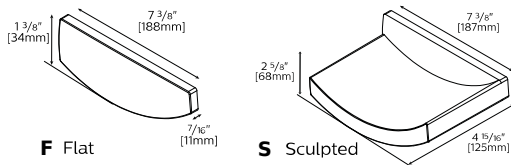
Product Type	Source	Color Temp *	Lumens *	Lower Optics	Upper Optics	Run Length	Wiring †	Voltage	Driver	Finish
7718	L		E	A	G					
Sona 1LC wall Wall Direct	L LED	A 4000K B 3500K C 3000K	C 4700 lm/4ft E 3400 lm/4ft G 2200 lm/4ft	V White Louver A Curved Acrylic Diffuser	N Solid (100% down) G Acrylic diffuser (75-80% down)	04 4' 08 8' XX Total run length (4' increments)	7 1 cct Dimming E 2 cct A/B Dimming M 1 cct Dimming + EM Wiring N 1 cct Dimming + EM Batt. Pack	1 120V 2 277V 3 347V	E Philips Advance 0-10V (1% dim)	W Standard White T Titanium Silver B Black C Custom

\* Nominal values within a range. Down kits reduce output & efficacy. Consult photometry data for color temp, lumens & distribution of chosen configuration.  
† Not all wiring types are available with all configurations. Consult Philips Ledalite for a complete list of available options.

### Mounting Hardware

**Mount Type**  
Consult separate mounting spec sheet for mount type options

### Endcaps -



# Sona wall (1LC Dn) LED

3400 lm/4ft 80% Down

3000/3500/4000K

## Optical System

**1 Light Chamber Upper:** Lateral-facing LED arrays deliver light into both the upper and lower hemispheres, giving a highly efficient, native 70% up / 30% down distribution with a wide, homogeneous upper batwing distribution. A fully indirect version with a solid lower housing can be specified, as well as a 50% down-light kit option.

**1 Light Chamber Lower:** A downward-facing LED array aims light into the lower hemisphere, for a highly efficient, fully direct distribution or optional 80% down version.

**2 Light Chambers:** Both lateral-facing and downward-facing LED arrays are combined in separate upper and lower chambers for the ultimate in up/down distribution control.

**Lenses:** On the upper surface an engineered diffuser smooths the light distribution on the ceiling and acts as a dust cover. On the lower surface, two 4" wide optics are available: either a curved, engineered acrylic diffuse lens flush to the housing; or a white louver with regressed diffuser for improved high angle cut-off and visual comfort.

## Endcaps

Diecast aluminum endcaps, either Sculpted (curved) or Flat.

## Finish

High quality powder coated, available in matte white, black or titanium silver. Other custom colors, including pacific aqua, are available on request. White sensors only.

## Housing

Precision formed 18 gauge cold-rolled steel. Cross section size (approx.): 2.6" h x 9" w (suspended) or 7.4" w (wall mount).

## Weight

Maximum: Suspended 4.9lb/ft, Wall 3.4lb/ft

## Electrical

Factory pre-wired to section ends with quick-wire connectors.

## Standard Drivers

Philips Advance Xitanium 0-10V, 1-100%. Philips Advance Xitanium SR, 5-100% (for SpaceWise DT). Class 2 rated output. Consult Philips Ledalite for other available drivers.

## Standard Battery Pack

Philips Bodine, 90 min, 10W, Class 2 rated output, Emergency lumen output = 10W x luminaire efficacy x 1.1. Typical output: suspended 1400lm, wall 1200lm.

## Lumen Maintenance

LEDs have been tested by the manufacturer in accordance with IESNA LM-80-08. At an ambient temperature of 25°C, the LED lumen maintenance expectation according to IES TM-21-11 is:

L80 (12k) >72,000 hrs (**Reported** methodology)

L80 (12k) 110,000 hrs (**Projected** methodology).

## Source Color

LEDs rated for color rendering CRI >80, R9 >0 and fixture to fixture color accuracy within 2 SDCM.

## Controls

Suspended version (1 light chamber only) available with the following integrated controls:

Response daylight sensor (for single zone).

SpaceWise DT occupancy & daylight sensor w/ advanced grouping & dwell time.

SpaceWise DT commissioning via Android phone and Philips Field App. Compatible dimming wireless wall switches are available. For more information, please refer to [www.philips.com/spacewise](http://www.philips.com/spacewise)

## Mounting

**Suspended:** Rapid installation sling mount at joints and ends. High strength aircraft cable and stainless steel gripper provide unlimited vertical adjustment and are independently tested to stringent safety standards.

**Wall:** A hidden steel rail and bracket system attaches to the existing structure and supports housings close to the wall. Mount positioning is fully variable along the modules to accommodate site conditions, spaced up to 4½' on center and within 6" of an end or joint.

## Joints

Self-aligning, gasketed joining system with hands-free wiring feature.

## Approvals

Certified to UL, CSA and IES standards. Most suspended versions (except 1 light chamber down with louver) are DesignLights Consortium® qualified. Please see the DLC QPL list for exact catalog numbers ([www.designlights.org/QPL](http://www.designlights.org/QPL)).

## Warranty

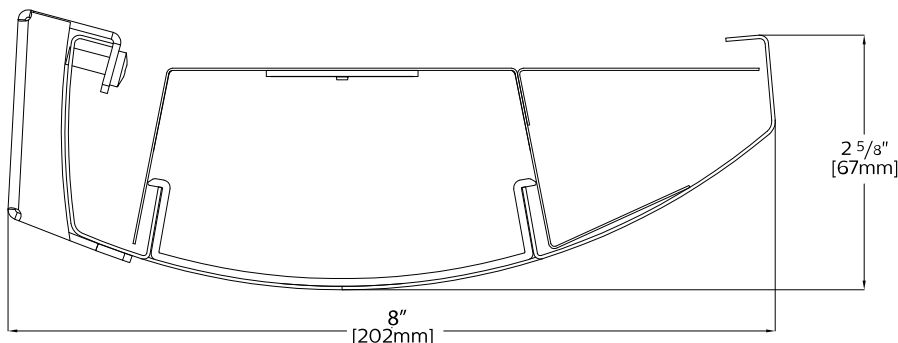
Philips indoor professional luminaires 5 year LED warranty: [www.philips.com/warranties](http://www.philips.com/warranties)

## Environment

Rated for dry or damp locations in operating ambient temperatures 0–40°C (32–104°F). Certain luminaire components may be adversely affected by contaminants. Damage caused by sulfur, chlorine, petroleum based solutions or other contaminants in the area of operation are not covered under warranty. Not suitable for natatorium environments.

Due to continuing product improvements, Philips Ledalite reserves the right to change the specifications without notice.

## Dimensions - Cross Section



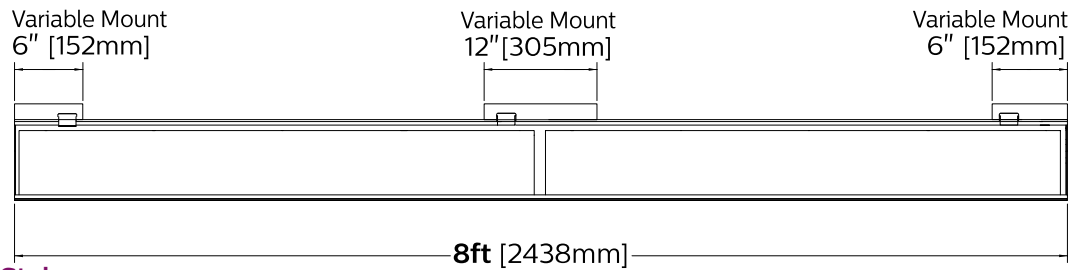
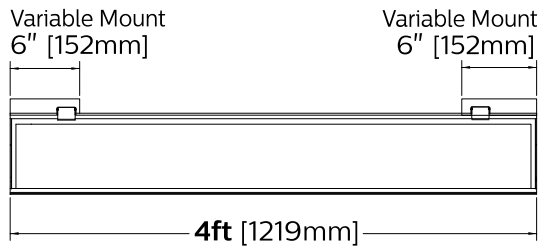
# Sona wall (1LC Dn) LED

3400 lm/4ft 80% Down

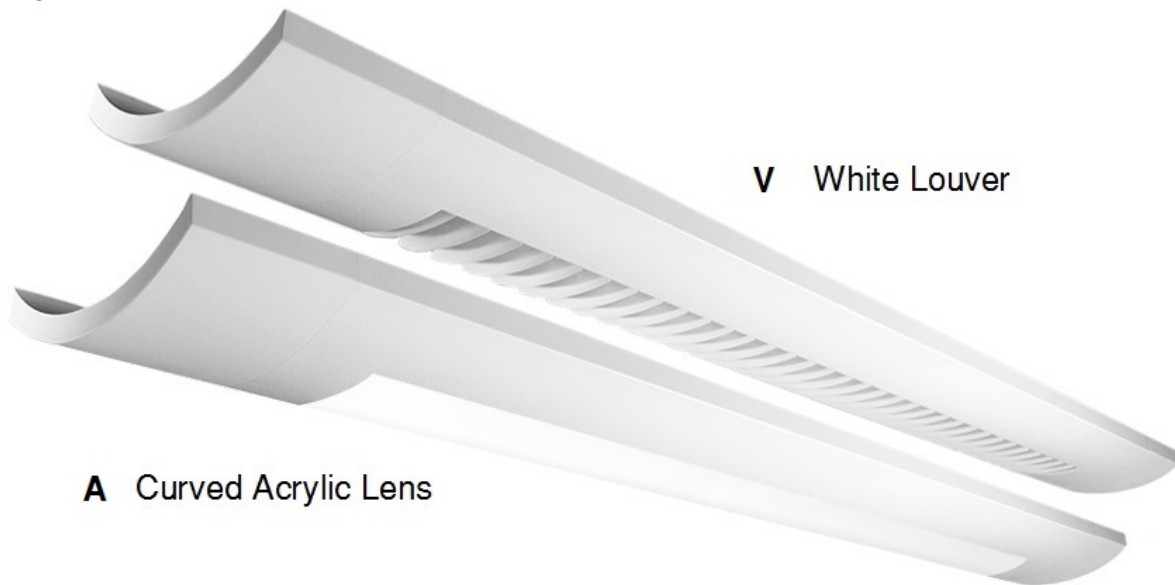
3000/3500/4000K

## Dimensions - Modules

Wall Mount - Top view, no end caps



## Optics and Styles



**A** Curved Acrylic Lens

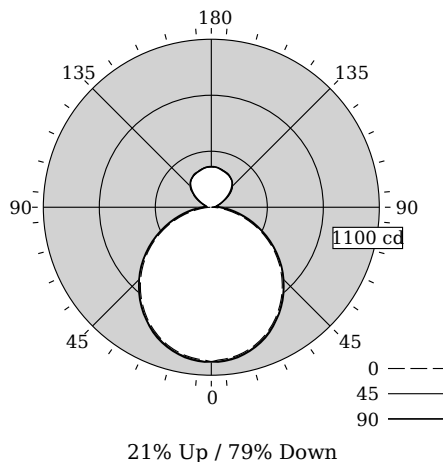
**V** White Louver

# Sona wall (1LC Dn) LED

3400 lm/4ft 80% Down

3000/3500/4000K

## Photometry - 3500K



## Candela Distribution

Vertical Angle	Horizontal Angle				Zonal Lumens
	0	22.5	45	67.5	
0	1011	1011	1011	1011	0
5	998	1007	1006	1009	96
15	962	969	970	973	274
25	889	895	897	901	413
35	783	790	793	795	496
45	654	660	666	667	512
55	506	512	518	520	462
65	345	351	358	363	354
75	180	187	201	213	213
85	42	53	77	95	85
90	2	18	40	56	62
95	11	17	28	38	43
105	39	45	42	41	45
115	83	88	82	78	82
125	146	142	141	134	124
135	196	191	195	192	148
145	226	222	226	226	141
155	245	244	240	246	113
165	257	258	256	255	72
175	263	265	265	265	25
180	265	265	265	265	0

Values per 4ft unit

Fixture photometry has been conducted in accordance with IESNA LM-79-08

IES files for this and other photometric options can be downloaded online at [www.lightingproducts.philips.com](http://www.lightingproducts.philips.com)

## Coefficients of Utilization (%)

RCR	Ceiling		80		70		50		0	
	70	50	30	10	70	50	30	10	0	
0	114	114	114	114	109	109	109	99	99	79
1	104	99	95	91	99	95	91	86	83	65
2	94	86	79	74	90	82	76	75	71	54
3	86	75	67	61	81	72	65	66	60	45
4	78	67	58	52	75	64	56	59	52	39
5	72	59	51	44	68	57	49	53	46	33
6	66	53	45	38	63	51	43	47	41	29
7	61	48	40	34	59	47	39	43	36	26
8	57	44	36	30	54	42	35	39	33	23
9	53	40	32	27	51	39	31	36	30	21
10	50	37	29	24	48	36	29	33	27	19

## Avg. Luminance (cd/m2)

Vertical Angle	Horizontal Angle		
	0	45	90
55	7930	7668	7612
65	7309	6975	6962
75	6162	5993	6228
85	4080	5232	6191

## Distribution

Hemisphere	21% Up / 79% Down
Spacing Along (0 °)	1.24
Spacing Across (90 °)	1.25

Philips Ledalite

**Light Output (Lumens)** **3685**

**Watts** **29.8**

**Lumens per Watt (Efficacy)** **123.66**

---

**Color Accuracy** **82**

Color Rendering Index (CRI)

---

**Light Color** **3448 (Bright White)**

Correlated Color Temperature (CCT)

2700K    3000K    4500K    6500K

All results are according to IESNA LM-79-2008: Approved Method for the Electrical and Photometric Testing of Solid-State Lighting. The U.S. Department of Energy (DOE) verifies product test data and results.

Visit [www.lightingfacts.com](http://www.lightingfacts.com) for the Label Reference Guide.

Registration Number: F46Z-ULTR45 (5/5/2017)  
Model Number: 771xLBEAG  
Type: Luminaire - Linear

# Sona wall (1LC Dn) LED

3400 lm/4ft 80% Down

3000/3500/4000K

## Optical Performance

Nominal CCT:	3000K	3500K	4000K
Flux (lm)	3494	3685	3776
Efficacy (lm/W)	117.2	123.7	126.7
Power (W)	29.8	29.8	29.8
CCT (K)	2957	3448	3810
CRI	82	82	83
R9	2	3	6
x	0.4388	0.4106	0.3923
y	0.4027	0.3984	0.3921
Duv	0.0009	0.0021	0.0038

## Electrical Performance - 3500K

Input Voltage	120V	277V	347V
Input Power	29.8W	29.5W	30.3W
Input Current	0.25A	0.11A	0.09A
Power Factor	0.995	0.960	0.956
Total Harm. Distortion	7.5%	11.1%	11.0%

Tested values . contact technical support for rated values. Off-state power zero unless certain controls are specified.

