



Linear

Sona suspended (1LC Dn)

2200 lm/4ft 80% Down
3000/3500/4000K



Project: _____
Spec Type: _____
Catalog No: 7711LxGAG _____
Qty _____
Line Notes: _____

Incredible efficacy & boundless lighting choices mean the re-engineered Sona suspended LED is destined to become a future classic. Flexible up/down distributions and tailored LED optics mean you always have the right light for every task.

Ordering guide

Product Type	Source	Color Temp *	Lumens *	Lower Optics	Upper Optics	Run Length	Wiring †	Voltage	Driver	Finish
<input type="text" value="7711"/>	<input type="text" value="L"/>	<input type="text"/>	<input type="text" value="G"/>	<input type="text" value="A"/>	<input type="text" value="G"/>	<input type="text"/>	<input type="text"/>	<input type="text"/>	<input type="text"/>	<input type="text"/>
Sona 1LC suspended Direct	L LED	A 4000K B 3500K C 3000K	C 4700 lm/4ft E 3400 lm/4ft G 2200 lm/4ft	V White Louver A Curved Acrylic Diffuser	N Solid (100% down) G Acrylic diffuser (75-80% down)	04 4' 08 8' XX Total run length (4' increments)	7 1 cct Dimming E 2 cct A/B Dimming (Alt. 4ft.) M 1 cct Dimming + EM Wiring N 1 cct Dimming + EM Batt. Pack	1 120V 2 277V 3 347V	E Philips Advance 0-10V (1% dim) S Philips Advance Sensor Ready (5% dim)	W Standard White T Titanium Silver B Black C Custom

* Nominal values within a range. Down kits reduce output & efficacy. Consult photometry data for CRI, color temp, lumens & distribution of chosen configuration.

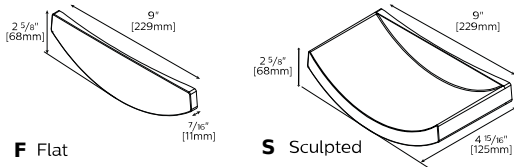
† Not all wiring types are available with all configurations. Consult Philips Ledalite for a complete list of available options.

Mounting Hardware

Mount Type
Consult separate mounting spec sheet for mount type options:
Ledalite Suspended Mounting Options

Suspension Length
Distance from ceiling to top of luminaire in inches

Endcaps -



Integrated Controls Please indicate with check mark.

- Response Daylight Single Zone (DS)
- SpaceWise DT Occupancy & Daylight Sensor (SZ)



Sona suspended (1LC Dn)

2200 lm/4ft 80% Down

3000/3500/4000K

Optical System

1 Light Chamber Upper: Lateral-facing LED arrays deliver light into both the upper and lower hemispheres, giving a highly efficient, native 70% up / 30% down distribution with a wide, homogeneous upper batwing distribution. A fully indirect version with a solid lower housing can be specified, as well as a 50% down-light kit option.

1 Light Chamber Lower: A downward-facing LED array aims light into the lower hemisphere, for a highly efficient, fully direct distribution or optional 80% down version.

2 Light Chambers: Both lateral-facing and downward-facing LED arrays are combined in separate upper and lower chambers for the ultimate in up/down distribution control.

Lenses: On the upper surface an engineered diffuser smooths the light distribution on the ceiling and acts as a dust cover. On the lower surface, two 4" wide optics are available: either a curved, engineered acrylic diffuse lens flush to the housing; or a white louver with regressed diffuser for improved high angle cut-off and visual comfort.

Endcaps

Diecast aluminum endcaps, either Sculpted (curved) or Flat.

Finish

High quality powder coated, available in matte white, black or titanium silver. Other custom colors, including pacific aqua, are available on request. White sensors only.

Housing

Precision formed 18 gauge cold-rolled steel. Cross section size (approx.): 2.6" h x 9" w (suspended) or 7.4" w (wall mount).

Weight

Maximum: Suspended 4.9lb/ft, Wall 3.4lb/ft

Electrical

Factory pre-wired to section ends with quick-wire connectors.

Standard Drivers

Philips Advance Xitanium 0-10V, 1-100%.

Philips Advance Xitanium Sensor Ready, 5-100%. Class 2 rated output. Consult Philips Ledalite for other available drivers.

Standard Battery Pack

Philips Bodine, 90 min, 10W, Class 2 rated output. Emergency lumen output = 10W x luminaire efficacy x 1.1. Typical output: suspended 1400lm, wall 1200lm.

Lumen Maintenance

LEDs have been tested by the manufacturer in accordance with IESNA LM-80-08. At an ambient temperature of 25°C, the LED lumen maintenance expectation according to IES TM-21-11 is:

L80 (12k) >72,000 hrs (**Reported** methodology)

L80 (12k) 110,000 hrs (**Projected** methodology).

Source Color

LEDs rated for color rendering CRI >80, R9 >0 and fixture to fixture color accuracy within 3 SDCM.

Controls

Suspended version (1 light chamber only) available with the following integrated controls:

Response Daylight Sensors

SpaceWise DT Occupancy & Daylight Sensors w/ advanced grouping & Dwell Time.

*SpaceWise DT commissioning is via a compatible Android phone and Philips Field App. Compatible wireless dimming wall switches are available for dimming. 347V is not available as a standard option. For more information, please refer to www.philips.com/spacewise

Mounting

Suspended: Rapid installation sling mount at joints and ends. High strength aircraft cable and stainless steel gripper provide unlimited vertical adjustment and are independently tested to stringent safety standards. Variable mounting along the length of the housing is available for certain configurations upon request.

Wall: A hidden steel rail and bracket system attaches to the existing structure and supports housings close to the wall. Mount positioning is fully variable along the modules to accommodate site conditions, spaced up to 4½' on center and within 6" of an end or joint.

Joints

Self-aligning, gasketed joining system with hands-free wiring feature.

Approvals

Certified to UL, CSA and IES standards. Most suspended versions (except 1 light chamber down with louver) are DesignLights Consortium® qualified. Please see the DLC QPL list for exact catalog numbers (www.designlights.org/QPL).

Warranty

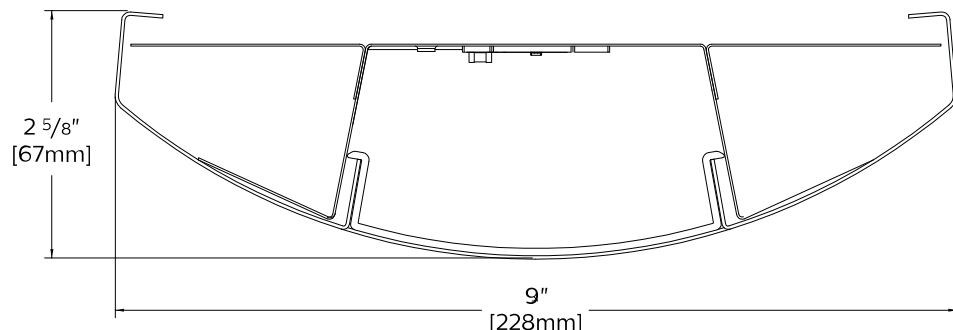
Philips indoor professional luminaires 5 year LED warranty: www.philips.com/warranties

Environment

Rated for dry or damp locations in operating ambient temperatures 0–40°C (32–104°F). Certain luminaire components may be adversely affected by contaminants. Damage caused by sulfur, chlorine, petroleum based solutions or other contaminants in the area of operation are not covered under warranty. Not suitable for natatorium environments.

Due to continuing product improvements, Philips Ledalite reserves the right to change the specifications without notice.

Dimensions - Cross Section



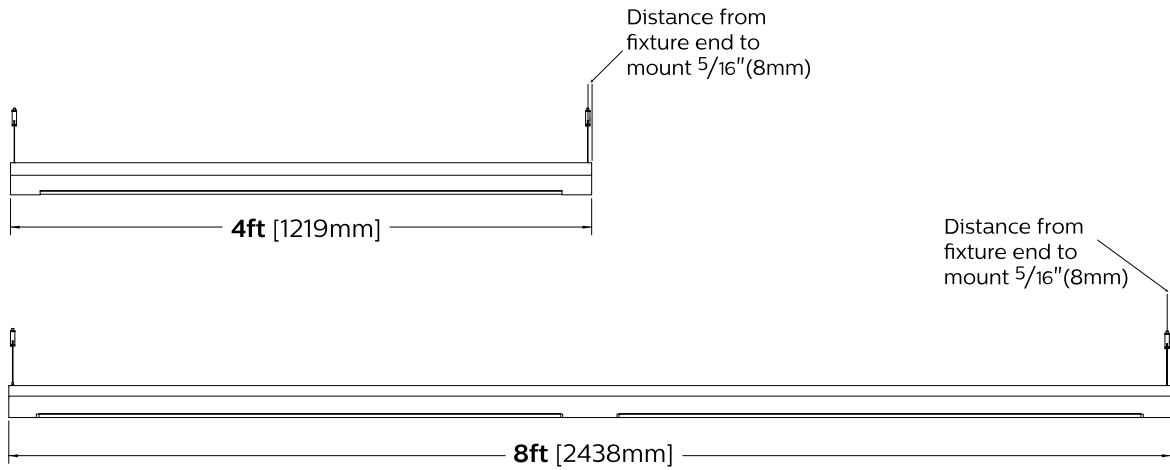
Sona suspended (1LC Dn)

2200 lm/4ft 80% Down

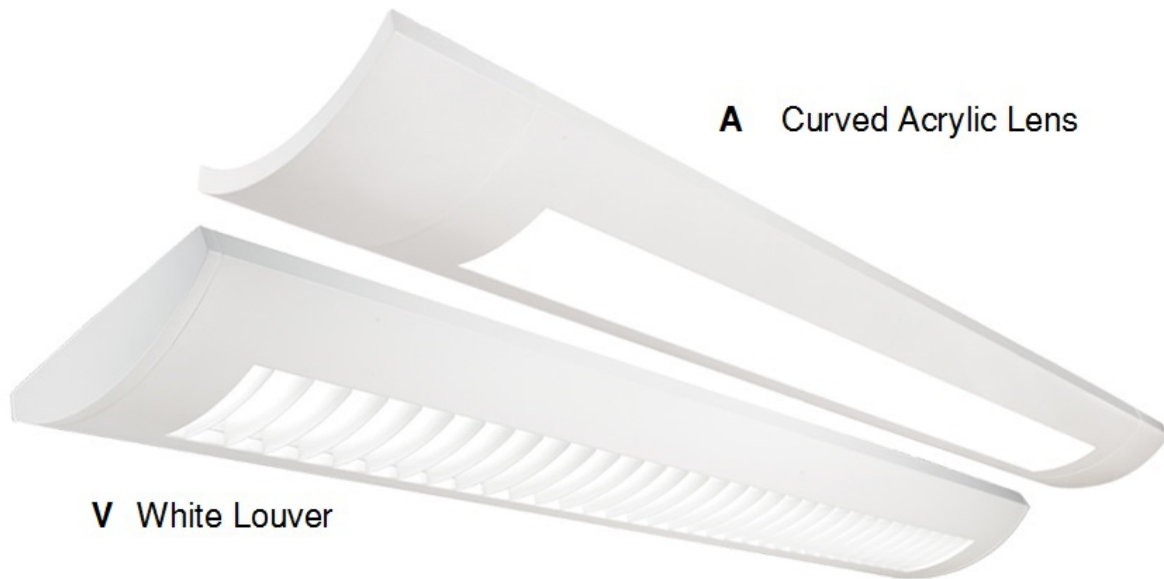
3000/3500/4000K

Dimensions - Modules

Suspended - Side view, no end caps



Optics and Styles

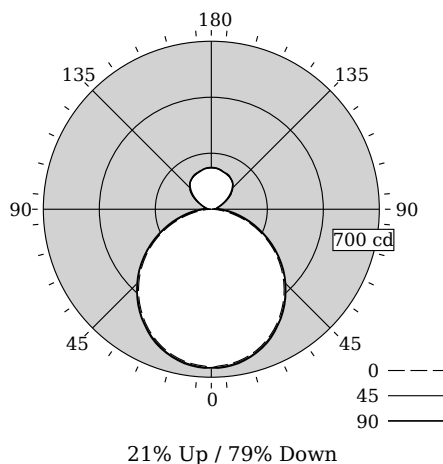


Sona suspended (1LC Dn)

2200 lm/4ft 80% Down

3000/3500/4000K

Photometry @ CRI>80, 3500K



Candela Distribution

Vertical Angle	Horizontal Angle				Zonal Lumens
	0	22.5	45	67.5	
0	660	660	660	660	0
5	652	658	657	659	62
15	628	632	633	635	179
25	580	584	585	588	270
35	511	516	518	519	324
45	427	431	435	436	334
55	330	334	338	339	342
65	225	229	234	237	240
75	117	122	131	139	142
85	27	35	50	62	66
90	1	12	26	37	40
95	7	11	18	25	28
105	25	29	38	27	27
115	54	57	53	51	50
125	95	92	92	88	87
135	128	124	127	125	124
145	147	145	148	147	148
155	160	159	157	160	160
165	168	169	167	167	166
175	172	173	173	173	173
180	173	173	173	173	173

Values per 4ft unit

Fixture photometry has been conducted in accordance with IESNA LM-79-08

IES files for this and other photometric options can be downloaded online at www.lightingproducts.philips.com

Coefficients of Utilization (%)

RCR	Ceiling										0	
	70	50	30	10	70	50	30	10	70	50		30
0	114	114	114	114	109	109	109	99	99	99	79	79
1	104	99	95	91	99	95	91	86	83	81	65	65
2	94	86	79	74	90	82	76	75	71	66	54	54
3	86	75	67	61	81	72	65	66	60	55	45	45
4	78	67	58	52	75	64	56	59	52	47	39	39
5	72	59	51	44	68	57	49	53	46	41	33	33
6	66	53	45	38	63	51	43	47	41	36	29	29
7	61	48	40	34	59	47	39	43	36	31	26	26
8	57	44	36	30	54	42	35	39	33	28	23	23
9	53	40	32	27	51	39	31	36	30	25	21	21
10	50	37	29	24	48	36	29	33	27	23	19	19

Avg. Luminance (cd/m²)

Vertical Angle	Horizontal Angle		
	0	45	90
55	5177	5007	4970
65	4772	4554	4545
75	4023	3913	4066
85	2664	3416	4042

Distribution

Hemisphere	21% Up / 79% Down
Spacing Along (0°)	1.24
Spacing Across (90°)	1.25

Philips Ledalite

LED lighting facts
A Program of the U.S. DOE

Light Output (Lumens) **2406**

Watts **19.1**

Lumens per Watt (Efficacy) **125.97**

Color Accuracy
Color Rendering Index (CRI) **82**

Light Color
Correlated Color Temperature (CCT) **3448 (Bright White)**

2700K 3000K 4500K 6500K

All results are according to IESNA LM-79-2008: Approved Method for the Electrical and Photometric Testing of Solid-State Lighting. The U.S. Department of Energy (DOE) verifies product test data and results.

Visit www.lightingfacts.com for the Label Reference Guide.

Registration Number: F46Z-S8LYP5 (5/5/2017)
Model Number: 771xLBGAG
Type: Luminaire - Linear

Sona suspended (1LC Dn)

2200 lm/4ft 80% Down

3000/3500/4000K

Optical Performance @ 120V

Nominal Spec:	3000K	3500K	4000K
Flux (lm)	2281	2406	2464
Efficacy (lm/W)	119.4	126.0	129.0
Power (W)	19.1	19.1	19.1
CCT (K)	2957	3448	3810
CRI	82	82	83
R9	2	3	6
x	0.4388	0.4106	0.3923
y	0.4027	0.3984	0.3921
Duv	0.0009	0.0021	0.0038

Electrical Performance @ CRI>80, 3500K

Input Voltage	120V	277V	347V
Input Power	19.1W	19.1W	20.0W
Input Current	0.16A	0.07A	0.06A
Power Factor	0.993	0.964	0.967
Total Harm. Distortion	8.4%	12.2%	12.0%

Tested values – contact technical support for rated values. Off-state power zero unless certain controls are specified.

With SpaceWise DT, standby power <0.5W (120V) or <0.8W (277V).

