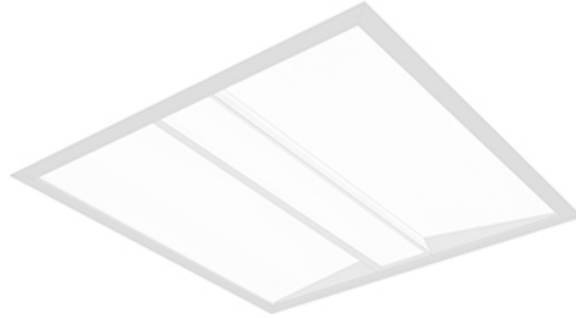




# Recessed

## Shine

600x600mm, 3000 lm  
3000/3500/4000K



Project: \_\_\_\_\_  
 Spec Type: \_\_\_\_\_  
 Catalog No: 33M2xxxxL8xE  
 Qty \_\_\_\_\_  
 Line Notes: \_\_\_\_\_

A family of uniformly luminous fixtures, Philips Ledalite Shine recessed delivers outstanding performance for superior energy savings. Available in a wide variety of sizes, Shine is a highly efficient and economical solution for any recessed lighting and energy challenge.

### Ordering guide

Product Type	Version	Configuration	Light Source *	CRI/CCT	Lumens *	Housing	Wiring †	Voltage	Driver
<input type="text" value="33M2"/>	<input type="text" value="D1"/>	<input type="text" value="ST"/>	<input type="text" value="L"/>	<input type="text" value="8x"/>	<input type="text" value="E"/>	<input type="text"/>	<input type="text"/>	<input type="text"/>	<input type="text"/>
Shine 600x600mm	D1 Standard T Grid	ST Standalone	L LED	8C CRI 80 3000K 8B CRI 80 3500K 8A CRI 80 4000K	E 3000 lm D 4000 lm	S Standard C Chicago Plenum	7 1 cct Dimming N 1 cct Dimming + EM Batt Pack	1 120V 2 277V 3 347V	E Philips Advance 0-10V (1% dim)

\* Nominal values within a range. Consult photometry data for CRI, color temp, lumens & distribution of chosen configuration.  
 † Not all wiring types are available with all configurations. Consult Philips Ledalite for a complete list of available options.

### Upgrades & Accessories Please indicate with check mark.

Flex Whip (6' length)

### Integrated Controls Please indicate with check mark.

Response Daylight Single Zone (DS)



# Shine

600x600mm, 3000 lm  
3000/3500/4000K

## Optical System

Optical system consists of highly reflective painted interior reflectors and three flat acrylic lenses.

## Finish

Housing and Frame: Post-painted, high quality powder coat. Available in white.

## Housing

Die-formed, post-painted, 22 gauge cold-rolled steel. Wire entrance is positioned on top and the sides of housing to allow easy wiring access for installation. Access to boards and drivers from below via side lens cavity. T-bar clips built into the luminaire ends for quick and easy installation. Optional perforated or solid filler panels for 20"x48" fixtures to accommodate 60" ceiling grid.

## Weight

Maximum 40lbs

## Optical System

Optical system consists of highly reflective painted interior reflectors and three flat acrylic lenses.

## Electrical

LED boards are easily field replaceable, if required. Fixtures are factory pre-wired and tested for all circuits and emergency battery packs; all leads pulled to a side access with cover plate.

## Standard Driver

Philips Advance Xitanium 0-10V, 1-100%. Class 2 rated output. Consult Philips Ledalite for other available drivers.

## Standard Battery Pack

Philips Bodine, 90 min, 10W, Class 2 rated output. Emergency lumen output = 10W x luminaire efficacy x 1.1. Typical output: 1200lm.

## Lumen Maintenance

LEDs have been tested by the manufacturer in accordance with IESNA LM-80-08. At an ambient temperature of 25°C, the LED lumen maintenance expectation according to IES TM-21-11 is: L80 (12k) >72,000 hrs (Reported methodology).

## Source Color

LEDs rated for color rendering CRI >80, R9 >0 and fixture to fixture color accuracy within 3 SDCM.

## Controls

Available with the following integrated controls: Response daylight sensor (for single zone).

## Mounting

Compatible with 15/16" lay-in acoustical ceilings using exposed grid suspension (NEMA type G). For 9/16" slot T-grid ceilings, fixture will sit 5/16" above bottom of Tee. Integrated tabs are provided for different T-grid heights.

## Wiring

Optional armored cable flex whips are supplied in 6' lengths.

## Approvals

Certified to UL & CSA Standards. City of Chicago Approved CCEA (housing option C).

## Warranty

Five-year luminaire limited warranty including LED boards and driver.

USA: <http://www.usa.lighting.philips.com/support/support/warranty>

Canada: <http://www.lighting.philips.ca/support/support/warranty>

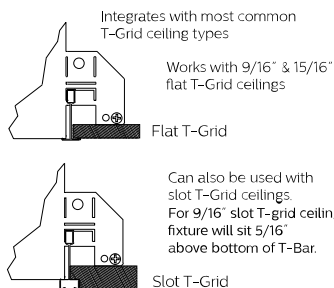
## Environment

Rated for dry & damp locations in operating in ambient temperatures of 25°C. Many luminaire components, such as reflectors, refractors, lenses, and LEDs are made from various types of plastics which can be adversely affected by airborne contaminants. If sulfur based chemicals, petroleum based products, cleaning solutions, or other contaminants are expected in the intended area of use, consult factory for compatibility. Damage caused by sulfur, chlorine, petroleum based solution or other contaminants are not covered under warranty.

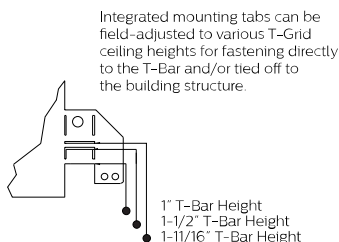
Due to continuing product improvements, Philips Ledalite reserves the right to change the specifications without notice.

## Options and Details

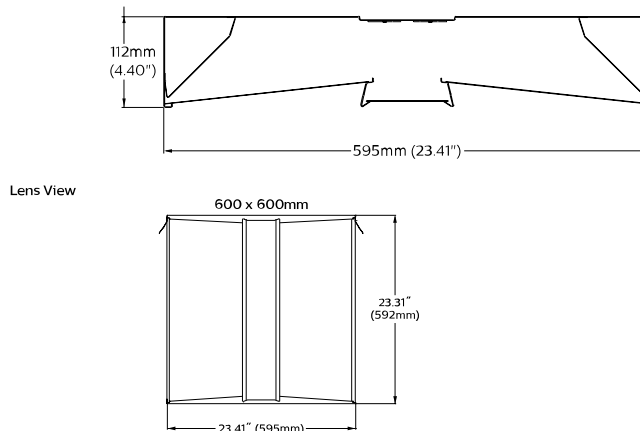
### Mounting



### Ceiling types



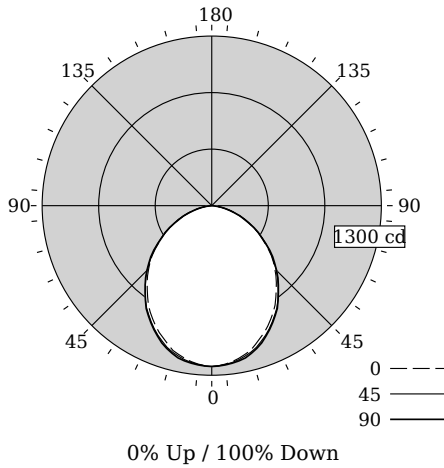
### Cross Section



# Shine

600x600mm, 3000 lm  
3000/3500/4000K

## Photometry @ CRI>80, 3500K



## Candela Distribution

Vertical Angle	Horizontal Angle					Zonal Lumens
	0	22.5	45	67.5	90	
0	1233	1233	1233	1233	1233	0
5	1218	1223	1222	1227	1225	116
15	1149	1164	1162	1177	1172	328
25	1017	1053	1042	1063	1049	483
35	857	907	885	902	886	557
45	684	721	700	724	703	547
55	495	529	509	524	502	462
65	314	339	319	329	312	324
75	154	169	148	158	143	167
85	22	33	17	24	17	33
90	0	0	0	0	0	0
95	0	0	0	0	0	0
105	0	0	0	0	0	0
115	0	0	0	0	0	0
125	0	0	0	0	0	0
135	0	0	0	0	0	0
145	0	0	0	0	0	0
155	0	0	0	0	0	0
165	0	0	0	0	0	0
175	0	0	0	0	0	0
180	0	0	0	0	0	0

Fixture photometry has been conducted in accordance with IESNA LM-79-08

IES files for this and other photometric options can be downloaded online at [www.lightingproducts.philips.com](http://www.lightingproducts.philips.com)

## Coefficients of Utilization (%)

RCR	Ceiling		80		70		50		30		0	
	Wall		70	50	30	10	70	50	30	10	70	50
0	119	119	119	119	116	116	116	111	111	111	100	100
1	110	105	101	97	107	103	99	99	96	93	85	85
2	100	92	86	80	97	90	84	87	82	78	72	72
3	92	82	74	67	89	80	73	77	71	66	61	61
4	84	73	64	58	82	71	63	69	62	56	53	53
5	78	65	56	50	75	64	56	62	55	49	46	46
6	72	59	50	44	70	58	50	56	49	43	41	41
7	67	53	45	39	65	53	45	51	44	39	36	36
8	62	49	41	35	61	48	40	47	40	35	32	32
9	58	45	37	32	57	44	37	43	36	31	29	29
10	55	42	34	29	53	41	34	40	33	29	27	27

## Avg. Luminance (cd/m2)

Vertical Angle	Horizontal Angle		
	0	45	90
55	2628	2699	2666
65	2262	2297	2247
75	1814	1738	1684
85	767	595	588

## Distribution Summary

Hemisphere	0% Up / 100% Down
Spacing Along (0°)	1.15
Spacing Across (90°)	1.18

# Shine

600x600mm, 3000 lm  
3000/3500/4000K

## Optical Performance

Flux (lm)	3010	3016	2857
Efficacy (lm/W)	112.7	112.1	107.0
Power (W)	26.7	26.9	26.7
CCT (K)	3900	3348	2995
CRI	82	82	81
R9	11	6	3
x	0.3865	0.4162	0.4397
y	0.3849	0.4002	0.4092
Duv	0.0020	0.0020	0.0020

## Electrical Performance @ CRI>80, 3500K

Input Voltage	120V	277V	347V
Input Power	26.9W	26.6W	25.2W
Input Current	0.22A	0.10A	0.08A
Power Factor	0.997	0.966	0.942
Total Harm. Distortion	6.2%	13.2%	12.0%

Tested values – contact technical support for rated values. Off-state power zero unless certain controls are specified.

