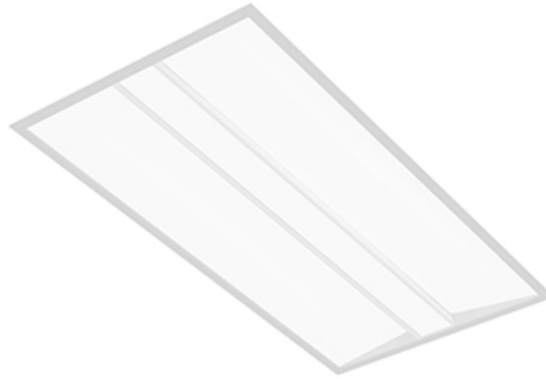




# Recessed

Shine LED

600x1200mm, 6800 lm  
3500K



Project: \_\_\_\_\_  
 Spec Type: \_\_\_\_\_  
 Catalog No: 33M4xxxxL8BA \_\_\_\_\_  
 Qty \_\_\_\_\_  
 Line Notes: \_\_\_\_\_

A family of uniformly luminous fixtures, Philips Ledalite Shine recessed delivers outstanding performance for superior energy savings. Available in a wide variety of sizes, fluorescent or LED, Shine is a highly efficient and economical solution for any recessed lighting and energy challenge.

## Ordering guide

| Product Type            | Version            | Configuration | Light Source * | CRI/CCT   | Lumens *                            | Housing                        | Wiring †   | Voltage                    | Driver            |
|-------------------------|--------------------|---------------|----------------|---|-------------------------------------|--------------------------------|--|----------------------------|-------------------|
| 33M4                    | D1                 | ST            | L              | 8B  | A                                   |                                |  |                            |                   |
| Shine<br>600x1200mm LED | D1 Standard T Grid | ST Standalone | L LED          | 8C CRI 80 3000K<br>8B CRI 80 3500K<br>8A CRI 80 4000K | D 4000 lm<br>C 5200 lm<br>A 6800 lm | S Standard<br>C Chicago Plenum | 7 1 cct Dimming<br>N 1 cct Dimming + EM<br>Batt Pack | 1 120V<br>2 277V<br>3 347V | E Philips Advance |

\* Nominal values within a range. Consult photometry data for exact color temp, lumens & distribution.

† Not all wiring types are available with all configurations. Consult Philips Ledalite for a complete list of available options.

### Upgrades & Accessories Please indicate with check mark.

Flex Whip (6' length)

### Integrated Controls Please indicate with check mark.

Response Daylight Sensor Single Zone (DS)

Philips Actilume Occupancy Sensor (DO)  
(includes field commissionable daylight sensor)



# Shine LED

600x1200mm, 6800 lm

3500K

## Weight

Maximum 40lbs

## Optical System

Optical system consists of highly reflective painted interior reflectors and three flat acrylic lenses.

## Standard Driver

Dimming: 0-10V (1-100%). Output is Class 2 rated. Consult factory for a list of other options.

## Electrical

LED boards are easily field replaceable, if required. Fixtures are factory pre-wired and tested for all circuits and emergency battery packs; all leads pulled to a side access with cover plate. Optional armored cable flex whips are supplied in 6' lengths.

## Lumen Maintenance

Lumen maintenance of the LEDs has been tested by the manufacturer in accordance with IESNA LM-80-08. At an ambient temperature of 25°C, the LED lumen maintenance expectation is L80(12K)>72,000h according to IES TM-21-11 Addendum A Reported methodology.

## Housing

Die-formed, post-painted, 22 gauge cold-rolled steel. Wire entrance is positioned on top and the sides of housing to allow easy wiring access for installation. Access to boards and drivers from below via side lens cavity. T-bar clips built into the luminaire ends for quick and easy installation. Optional perforated or solid filler panels for 20"x48" fixtures to accommodate 60" ceiling grid.

## Finish

Housing and Frame: Post-painted, high quality powder coat. Available in white.

## Warranty

Five-year luminaire limited warranty including LED boards and driver.

USA: <http://www.usa.lighting.philips.com/support/support/warranty>

Canada: <http://www.lighting.philips.ca/support/support/warranty>

## Environment

Rated for dry & damp locations in operating in ambient temperatures of 25°C.

## Approvals

Certified to UL & CSA Standards. City of Chicago Approved CCEA (housing option C).

## General Notes

Many luminaire components, such as reflectors, refractors, lenses, sockets, lamp holders, and LEDs are made from various types of plastics which can be adversely affected by airborne contaminants. If sulfur based chemicals, petroleum based products, cleaning solutions, or other contaminants are expected in the intended area of use, consult factory for compatibility. Damage caused by sulfur, chlorine, petroleum based solution or other contaminants are not covered under warranty.

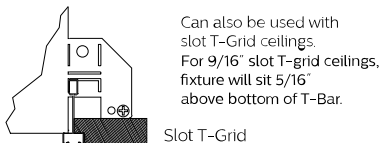
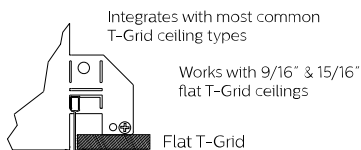
## Mounting

Compatible with 15/16" lay-in acoustical ceilings using exposed grid suspension (NEMA type G). For 9/16" slot T-grid ceilings, fixture will sit 5/16" above bottom of Tee. Integrated tabs are provided for different T-grid heights.

Due to continuing product improvements, Philips Ledalite reserves the right to change the specifications without notice.

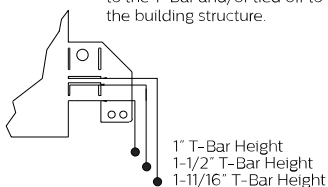
## Options and Details

### Mounting



### Ceiling types

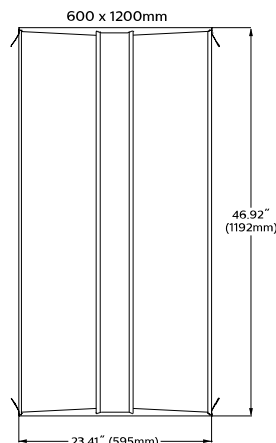
Integrated mounting tabs can be field-adjusted to various T-Grid ceiling heights for fastening directly to the T-Bar and/or tied off to the building structure.



### Cross Section



### Lens View

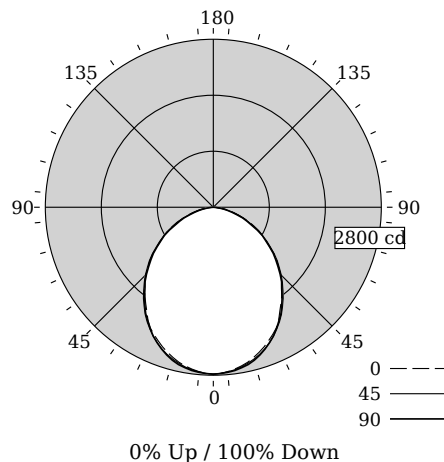


# Shine LED

600x1200mm, 6800 lm

3500K

## Photometry



|                          |                   |
|--------------------------|-------------------|
| Total Output             | 6892 lm           |
| Efficacy                 | 114.9 lm/W        |
| CCT                      | 3348K             |
| CRI                      | 82                |
| Distribution             | 0% Up / 100% Down |
| Spacing Criteria (0/90°) | 1.17/1.18         |

Fixture photometry has been conducted in accordance with IESNA LM-79-08

IES files for this and other photometric options can be downloaded online at [www.lightingproducts.philips.com](http://www.lightingproducts.philips.com)

### Candela Distribution

| Vertical Angle | Horizontal Angle |      |      |      | Zonal Lumens |
|----------------|------------------|------|------|------|--------------|
|                | 0                | 22.5 | 45   | 67.5 |              |
| 0              | 2783             | 2783 | 2783 | 2783 | 0            |
| 5              | 2750             | 2764 | 2755 | 2767 | 262          |
| 15             | 2593             | 2632 | 2619 | 2660 | 742          |
| 25             | 2341             | 2397 | 2371 | 2406 | 1096         |
| 35             | 1964             | 2060 | 2012 | 2044 | 1265         |
| 45             | 1590             | 1657 | 1604 | 1625 | 1375         |
| 55             | 1146             | 1211 | 1165 | 1203 | 1140         |
| 65             | 749              | 800  | 744  | 760  | 751          |
| 75             | 364              | 401  | 351  | 366  | 320          |
| 85             | 55               | 81   | 47   | 59   | 35           |
| 90             | 0                | 0    | 0    | 0    | 0            |
| 95             | 0                | 0    | 0    | 0    | 0            |
| 105            | 0                | 0    | 0    | 0    | 0            |
| 115            | 0                | 0    | 0    | 0    | 0            |
| 125            | 0                | 0    | 0    | 0    | 0            |
| 135            | 0                | 0    | 0    | 0    | 0            |
| 145            | 0                | 0    | 0    | 0    | 0            |
| 155            | 0                | 0    | 0    | 0    | 0            |
| 165            | 0                | 0    | 0    | 0    | 0            |
| 175            | 0                | 0    | 0    | 0    | 0            |
| 180            | 0                | 0    | 0    | 0    | 0            |

### Coefficients of Utilization (%)

| RCR | Ceiling |     |     |     | Wall |     |     |     | 0   |     |
|-----|---------|-----|-----|-----|------|-----|-----|-----|-----|-----|
|     | 70      | 50  | 30  | 10  | 70   | 50  | 30  | 10  |     |     |
| 0   | 119     | 119 | 119 | 119 | 116  | 116 | 116 | 111 | 111 | 100 |
| 1   | 109     | 105 | 101 | 97  | 107  | 103 | 99  | 98  | 95  | 85  |
| 2   | 100     | 92  | 86  | 80  | 97   | 90  | 84  | 87  | 82  | 72  |
| 3   | 91      | 81  | 73  | 67  | 89   | 80  | 72  | 77  | 71  | 61  |
| 4   | 84      | 72  | 64  | 57  | 82   | 71  | 63  | 69  | 62  | 53  |
| 5   | 77      | 65  | 56  | 50  | 75   | 64  | 56  | 62  | 54  | 46  |
| 6   | 72      | 59  | 50  | 44  | 70   | 58  | 49  | 56  | 49  | 40  |
| 7   | 66      | 53  | 45  | 39  | 65   | 52  | 44  | 51  | 44  | 36  |
| 8   | 62      | 49  | 40  | 35  | 60   | 48  | 40  | 47  | 40  | 32  |
| 9   | 58      | 45  | 37  | 31  | 57   | 44  | 37  | 43  | 36  | 29  |
| 10  | 54      | 41  | 34  | 28  | 53   | 41  | 33  | 40  | 33  | 26  |

### Avg. Luminance (cd/m<sup>2</sup>)

| Vertical Angle | Horizontal Angle |      |      |
|----------------|------------------|------|------|
|                | 0                | 45   | 90   |
| 55             | 2969             | 3020 | 2956 |
| 65             | 2636             | 2616 | 2463 |
| 75             | 2090             | 2017 | 1838 |
| 85             | 944              | 800  | 597  |

## Electrical Specifications

| Input Voltage          | 120V  | 277V  |
|------------------------|-------|-------|
| Input Power            | 60.0W | 59.1W |
| Input Current          | 0.50A | 0.22A |
| Power Factor           | 0.998 | 0.974 |
| Total Harm. Distortion | 5.4%  | 11.5% |

Tested values – contact technical support for rated values. Off-state power zero unless certain controls are specified.

