

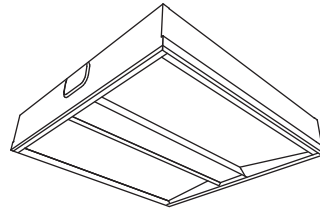
Shine™



Recessed

2'x2'

3 T8



Project Name

Spec Type

Notes



Order Guide

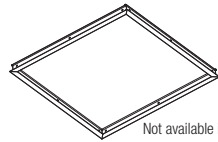
Some combinations of product options may not be available. Consult factory for assistance with your specification.

3322			T317	-		-		-		-	
Product Series & Size Shine 2'x2'	Version D1 Standard T-Grid A1 Air Return on Standard T-Grid	Configuration ST Standalone CR Continuous Row CMS Continuous Row Master/Satellite	Lamping 3 T8 (17W)	Housing S Standard (22ga.) C Chicago Plenum	Wiring 1 1 cct 2 2 cct 5 1 cct w/ Battery Pack 7 1 cct Dimming	Voltage 1 120V 2 277V 3 347V	Ballast E Standard Ballast	<p>See details on next page</p> <p>Consult website for complete list of standard wiring options</p> <p>Consult website for ballast manufacturer information</p>			

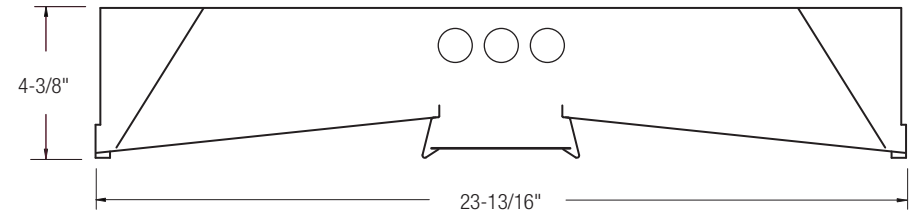
Upgrades & Accessories

Please indicate with check mark.

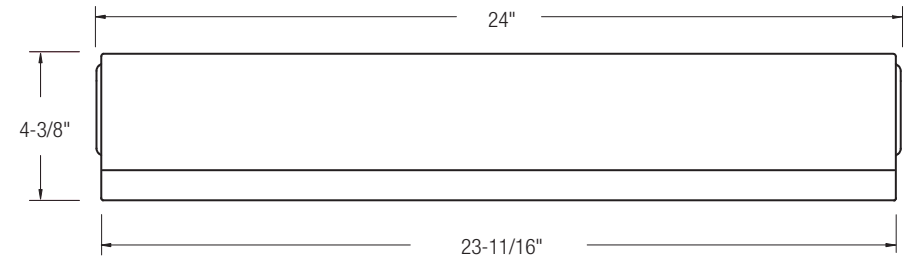
- | | |
|--|--|
| <input type="checkbox"/> Lamps Included | <input type="checkbox"/> Lamps Included & Installed |
| <input type="checkbox"/> Job Pack | <input type="checkbox"/> Flex Whip |
| <input type="checkbox"/> Drywall Kit | <p>Can be mounted to wood frame or with hanger wire</p>   <p>Wood Frame Hanger Wire</p> |
| <input type="checkbox"/> Response Daylight | |
- For details visit www.ledalite.com/response



Cross Section



Side View

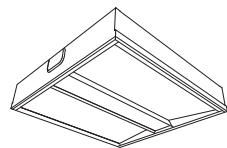


Shine™

Recessed

2'x2'

3 TB



Photometry

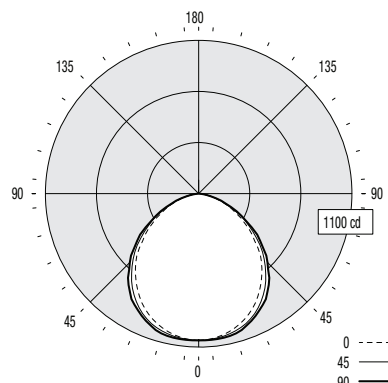
Report Summary

Report # 9901787
 Filename 3322D1T317.ies
 Efficiency 70.5%

Spacing Criteria 1.2 @ 0° along
 1.29 @ 90° across

Candela Distribution

Vertical Angle	Horizontal Angle					Zonal Lumens
	0	22.5	45	67.5	90	
0	1054	1054	1054	1054	1054	102
5	1046	1049	1049	1053	1054	289
15	999	1014	1020	1037	1038	437
25	912	940	951	973	968	520
35	782	814	829	862	861	517
45	627	653	665	710	699	431
55	440	470	475	511	513	290
65	264	288	282	316	301	139
75	121	135	123	138	128	27
85	18	24	16	21	15	
90	0	0	0	0	0	



Coefficients of Utilization (%)

Ceiling: Wall:	80				70				50				0									
	70	50	30	10	70	50	30	10	50	30	10	0	70	50	30	10	0					
0 RCR	84	84	84	84	82	82	82	78	78	78	70	84	84	84	84	82	82	82	78	78	78	70
1	77	74	71	69	75	72	70	69	67	65	60	77	74	71	69	75	72	70	69	67	65	60
2	70	65	60	57	69	64	59	61	58	55	51	70	65	60	57	69	64	59	61	58	55	51
3	64	57	52	47	63	56	51	54	50	46	43	64	57	52	47	63	56	51	54	50	46	43
4	59	51	45	40	57	50	44	48	43	40	37	59	51	45	40	57	50	44	48	43	40	37
5	54	46	39	35	53	45	39	43	38	34	32	54	46	39	35	53	45	39	43	38	34	32
6	50	41	35	31	49	40	35	39	34	30	28	50	41	35	31	49	40	35	39	34	30	28
7	47	37	31	27	45	37	31	36	30	27	25	47	37	31	27	45	37	31	36	30	27	25
8	43	34	28	24	42	34	28	33	27	24	22	43	34	28	24	42	34	28	33	27	24	22
9	40	31	26	22	39	31	25	30	25	21	20	40	31	26	22	39	31	25	30	25	21	20
10	38	29	23	20	37	28	23	28	23	19	18	38	29	23	20	37	28	23	28	23	19	18

Based on a floor reflectance of 0.2

Avg. Luminance (cd/m²)

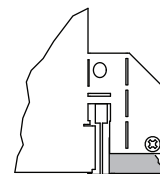
Vertical Angle	Horizontal Angle		
	0	45	90
55	2239	2417	2611
65	1824	1948	2079
75	1365	1387	1444
85	603	536	502

IES files for this and other photometric options can be downloaded online at www.ledalite.com

Additional Information

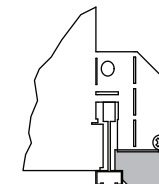
Mounting

Integrates with most common T-bar ceiling types.



Flat T-Grid

Option D1 works with 9/16" and 15/16" flat T-grid ceilings.

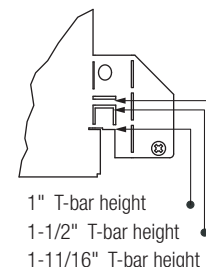


Slot T-Grid

D1 can also be used with slot T-grid ceilings, but it will not sit flush with the bottom of the T-bar.

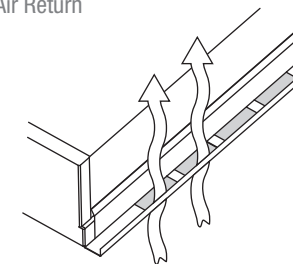
Ceiling Types

Integrated mounting tabs can be field-adjusted to various T-bar ceiling heights for fastening directly to the T-bar grid and/or tied-off to the building structure.



1" T-bar height
 1-1/2" T-bar height
 1-11/16" T-bar height

Air Return



The air return version features slotted vents along the sides of the fixture. As a result, the installation method of the air return version is different to the standard version, and the fixture cannot be installed in continuous rows.

Specifications

Due to continuing product improvements, Ledalite reserves the right to change specifications without notice.

Housing

Die-formed, post-painted, 22 gauge cold-rolled steel (New York City version is 20 gauge). Wire entrances are positioned on the side of the housing to allow easy wiring access for the installer. Multiple wire entrances are available on top or side to allow continuous row mounting of fixtures. Maintenance can be performed from below the ceiling without tools. No hardware is visible.

Weight

Maximum 23 lbs.

Optical System

Optical system consists of highly reflective painted interior reflectors and three flat acrylic lenses with 95% transmittance.

Mounting

Fixture is compatible with most ceiling types. Option D1 works with 9/16" and 15/16" standard T-grid ceiling systems. D1 can be used with slot T-grid ceiling systems but fixture will be slightly regressed above the T-bar. Integrated tabs are provided for different T-grid heights. Optional drywall kit is available for non-accessible ceilings.

Ballast

Electronic. Supplied with pre-installed ballast disconnects as per national electric codes.

Wiring

Fixtures are factory pre-wired and tested for all circuits and emergency battery packs; all leads pulled to a side access with cover plate. Optional armored cable flex whips are supplied in 6' lengths for 1x4, 2x2 and 2x4 fixtures. Armored cable flex connectors are supplied in 9' lengths for optional master/satellite configurations.

Air Return

Air return option available in 2'x2' and 2'x4' sizes. Perforated air return side rails are finished in black.

Approvals

Certified to UL & CSA Standards. City of Chicago Approved CCEA (housing option C). Designed to comply with NYC code requirements (Housing Option N).

Finish

Housing and Frame: Post-painted, high quality powder coat. Available in white.