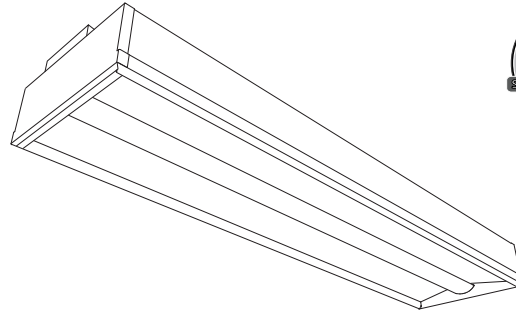


# PureFX (LED) 1'x4'



Project Name

Spec Type

Notes

Recessed

1'x4'

LED 3500K; 3600 lm



## Order Guide

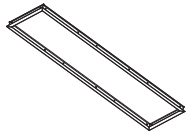
Some combinations of product options may not be available. Consult factory for assistance with your specification.

<b>9414</b>			<b>L</b>	<b>B</b>	<b>36</b>				<b>E</b>
Product Type & Size PureFX 1'x4'	Version D1 Standard T-Grid D2 Tegalur/Slot T-Grid	Configuration ST Standalone CR Continuous	Light Source L LED	Color Temp B 3500K	Lumens* 36 3600 lm	Housing S Standard C Chicago	Wiring 1 1 cct 5 1 cct w/battery pack 7 1 cct dimming	Voltage 1 120V 2 277V	Driver E Standard
					*Nominal Values		Consult website for complete list of standard wiring options		Consult website for driver manufacturer information

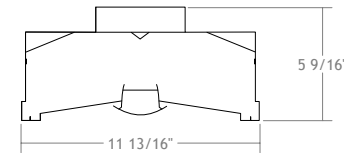
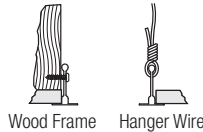
## Upgrades & Accessories

Please indicate with check mark.

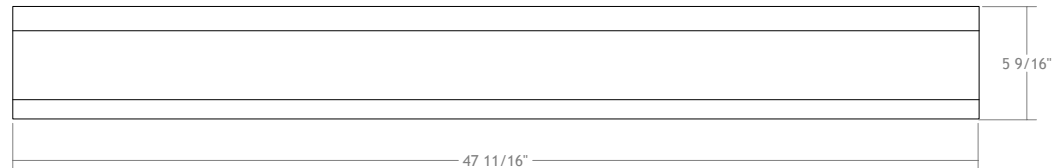
Drywall Kit



Can be mounted to wood frame or with hanger wire



Cross Section



Side View

## Integrated Controls

Response Daylight Sensor  
For details visit [ledalite.com/response](http://ledalite.com/response)



# PureFX (LED) 1'x4'

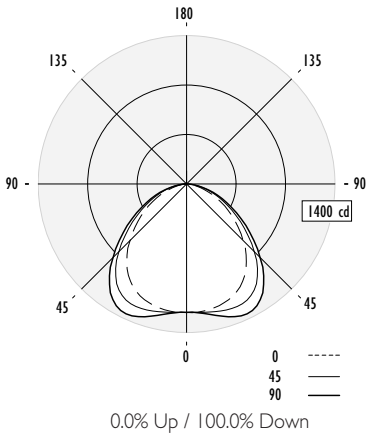
Recessed • 1'x4' • LED 3500K; 3600 lm

## Photometry Combination Acrylic MesoOptics Lens

### Report Summary

<b>Efficiency*</b>	100%	<b>Report No.</b>	ITL70670	<b>Filename</b>	9414DxxxLB36.ies
<b>Efficacy</b>	83.7 lm/W	<b>CRI</b>	83	<b>Testing Voltage</b>	120V
<b>Total Lumens</b>	3600 lm	<b>R9</b>	22	<b>Power Factor</b>	0.99

\*IESNA LM-79-08 specifies the entire luminaire as the source resulting in a fixture efficiency of 100%.



### Candela Distribution

Vertical Angle	Horizontal Angle					Zonal Lumens
	0	22.5	45	67.5	90	
0	1212	1212	1212	1212	1212	
5	1214	1215	1217	1216	1220	116
15	1189	1204	1241	1274	1291	352
25	1120	1162	1247	1320	1352	571
35	978	1042	1150	1226	1254	705
45	753	810	903	965	980	685
55	523	559	622	673	684	550
65	312	335	379	412	418	372
75	136	165	196	213	208	197
85	26	43	48	49	46	52
90	0	0	0	0	0	
95	0	0	0	0	0	
105	0	0	0	0	0	
115	0	0	0	0	0	
125	0	0	0	0	0	
135	0	0	0	0	0	
145	0	0	0	0	0	
155	0	0	0	0	0	
165	0	0	0	0	0	
175	0	0	0	0	0	
180	0	0	0	0	0	

### Avg. Luminance (cd/m<sup>2</sup>)

Vertical Angle	Horizontal Angle		
	0	45	90
55	3142	3736	4109
65	2544	3090	3408
75	1810	2609	2769
85	1028	1897	1818

Fixture photometry has been conducted by a NVLAP accredited testing laboratory in accordance with IESNA LM-79-08.

Lumen maintenance of the LEDs used in this fixture has been tested by the LED manufacturer in accordance with IESNA LM-80-08

### Coefficients of Utilization (%)

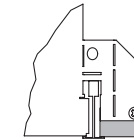
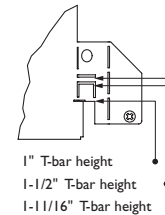
RCR	Ceiling: 80				70				50				0			
	70	50	30	10	70	50	30	10	50	30	10	0	50	30	10	0
0	119	119	119	119	116	116	116	111	111	111	100					
1	109	105	101	97	107	103	99	98	95	93	85					
2	100	92	85	80	97	90	84	87	82	77	72					
3	91	81	73	67	89	80	72	77	70	65	61					
4	84	72	64	57	81	71	63	68	61	56	52					
5	77	65	56	49	75	63	55	61	54	49	45					
6	71	58	49	43	69	57	49	55	48	43	40					
7	66	53	44	38	64	52	44	50	43	38	35					
8	62	48	40	34	60	47	39	46	39	34	31					
9	57	44	36	31	56	44	36	42	35	30	28					
10	54	41	33	28	53	40	33	39	32	28	26					

Based on a floor reflectance of 0.2

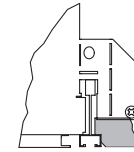
IES files for this and other photometric options can be downloaded online at [ledalite.com](http://ledalite.com)

## Mounting

All recessed LED products feature integrated mounting tabs that can be field-adjusted to various T-bar ceiling heights. Fixtures can be fastened directly to the T-bar grid and/or tied-off to the building structure.



**D1 Standard T-Grid**  
Option D1 works with 9/16" and 15/16" flat T-grid ceilings. It can also be used with slot T-grid ceilings, but it will not sit flush with the bottom of the T-bar.



**D2 Slot T-Grid**  
Option D2 is designed to sit flush with slot T-grid ceilings and some regular tile ceiling types.

## Specifications

Due to continuing product improvements, Philips Ledalite reserves the right to change specifications without notice.

### Housing

Die-formed, post-painted, 22 gauge cold-rolled steel. Multiple wire entrances are available (top or side) to allow continuous row mounting of fixtures. Optional frame restraint is available to provide additional safety support to the optical frame.

### Optical System

The optical frame assembly consists of an acrylic panel with a layer of protected MesoOptics film which efficiently provides a luminous, controlled, low glare batwing distribution. The optical frame ends are constructed from die-formed cold-rolled steel assembled together with extruded aluminum profiles in a sturdy frame. The frame is hinged to allow easy access to the inside of the fixture. Maintenance can be performed from below the ceiling.

### Weight

Maximum 25lb.

### Electrical

Factory pre-wired to section ends with quick-wire connectors.

### Driver

Dimming: 0-10V - 10-100%. Power factor: greater than 98% (120V) and greater than 85% (277V). Output is Class 2 rated.

### Wiring

Optional flex whips are supplied in 6' lengths.

### Approvals

Certified to UL, IES & CSA Standards. City of Chicago Approved CCEA (housing option C). Type IC Rated

### Finish

Housing and Frame: Post-painted, high quality powder coat. Available in white only.

### Environment

Rated for dry or damp locations in operating ambient temperatures of 0-40°C (32-104°F).

**LED lighting facts**  
A Program of the U.S. DOE

---

**Light Output (Lumens)** 3600  
**Watts** 43  
**Lumens per Watt (Efficacy)** 84

---

**Color Accuracy**  
Color Rendering Index (CRI) 83

---

**Light Color**  
Correlated Color Temperature (CCT) 3500 (Bright White)

2700K 3000K 4500K 6500K

---

All results are according to IESNA LM-79-08: Approved Method for the Electrical and Photometric Testing of Solid-State Lighting. The U.S. Department of Energy (DOE) verifies product test data and results.

Visit [www.lightingfacts.com](http://www.lightingfacts.com) for the Label Reference Guide.

Registration Number: F46Z-744C4T (2/7/2012)  
Model Number: 9"14D\*\*\*LB36  
Type: Surface-mounted or recessed troffers

