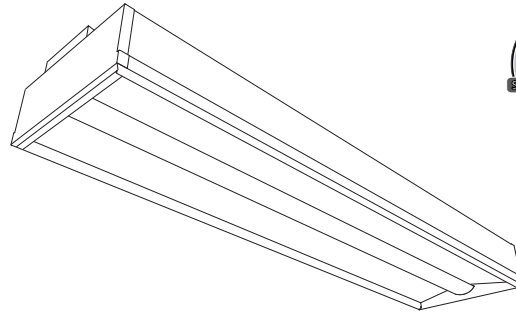


PureFX (LED) 1'x4'



Project Name

Spec Type

Notes

Recessed

1'x4'

LED 3000K; 4400 lm



mesoOptics



RESPONSE



airWave



LEDLOGIQ

Order Guide

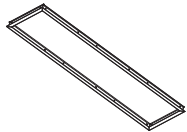
Some combinations of product options may not be available. Consult factory for assistance with your specification.

9414			L	C	44				E
Product Type & Size PureFX 1'x4'	Version D1 Standard T-Grid D2 Tegular/Slot T-Grid	Configuration ST Standalone CR Continuous	Light Source L LED	Color Temp C 3000K	Lumens* 44 4400 lm	Housing S Standard C Chicago	Wiring 1 1 cct 5 1 cct w/battery pack 7 1 cct dimming	Voltage 1 120V 2 277V	Driver E Standard
					*Nominal Values		Consult website for complete list of standard wiring options		Consult website for driver manufacturer information

Upgrades & Accessories

Please indicate with check mark.

Drywall Kit



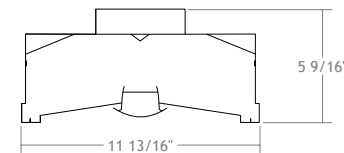
Can be mounted to wood frame or with hanger wire



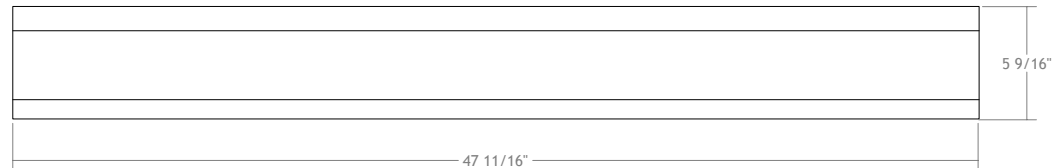
Wood Frame



Hanger Wire



Cross Section



Side View

Integrated Controls

Response Daylight Sensor
For details visit ledalite.com/response



PureFX (LED) 1'x4'

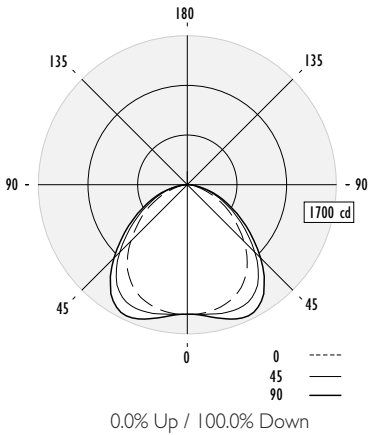
Recessed • 1'x4' • LED 3000K; 4400 lm

Photometry Combination Acrylic MesoOptics Lens

Report Summary

Efficiency*	100%	Report No.	ITL70671	Filename	9414DxxxLC44.ies
Efficacy	79.1 lm/W	CRI	83	Testing Voltage	120V
Total Lumens	4344 lm	R9	20	Power Factor	0.99

*IESNA LM-79-08 specifies the entire luminaire as the source resulting in a fixture efficiency of 100%.



Candela Distribution

Vertical Angle	Horizontal Angle					Zonal Lumens
	0	22.5	45	67.5	90	
0	1479	1479	1479	1479	1479	
5	1481	1482	1485	1485	1490	142
15	1448	1468	1521	1560	1581	430
25	1359	1419	1522	1613	1651	697
35	1189	1266	1399	1486	1521	855
45	912	978	1089	1160	1183	824
55	632	669	744	803	817	659
65	368	402	451	491	501	444
75	157	195	232	251	246	232
85	30	49	56	56	54	60
90	0	0	0	0	0	
95	0	0	0	0	0	
105	0	0	0	0	0	
115	0	0	0	0	0	
125	0	0	0	0	0	
135	0	0	0	0	0	
145	0	0	0	0	0	
155	0	0	0	0	0	
165	0	0	0	0	0	
175	0	0	0	0	0	
180	0	0	0	0	0	

Avg. Luminance (cd/m²)

Vertical Angle	Horizontal Angle		
	0	45	90
55	3796	4469	4907
65	3000	3677	4084
75	2090	3088	3275
85	1186	2214	2135

Fixture photometry has been conducted by a NVLAP accredited testing laboratory in accordance with IESNA LM-79-08.

Lumen maintenance of the LEDs used in this fixture has been tested by the LED manufacturer in accordance with IESNA LM-80-08

Coefficients of Utilization (%)

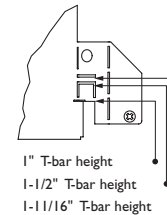
RCR	Ceiling: 80				70				50				0
	70	50	30	10	70	50	30	10	50	30	10	0	
0	119	119	119	119	116	116	116	111	111	111	100		
1	109	105	101	97	107	103	99	98	95	93	85		
2	100	92	86	80	97	90	84	87	82	77	72		
3	91	81	73	67	89	80	72	77	71	65	61		
4	84	72	64	57	82	71	63	69	62	56	53		
5	77	65	56	50	75	64	55	62	54	49	46		
6	71	58	50	43	70	57	49	56	48	43	40		
7	66	53	44	38	65	52	44	51	43	38	35		
8	62	48	40	34	60	48	40	46	39	34	32		
9	58	44	36	31	56	44	36	43	36	31	28		
10	54	41	33	28	53	40	33	39	33	28	26		

Based on a floor reflectance of 0.2

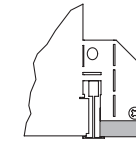
IES files for this and other photometric options can be downloaded online at ledalite.com

Mounting

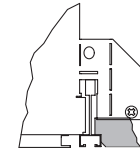
All recessed LED products feature integrated mounting tabs that can be field-adjusted to various T-bar ceiling heights. Fixtures can be fastened directly to the T-bar grid and/or tied-off to the building structure.



1" T-bar height
1-1/2" T-bar height
1-11/16" T-bar height



D1 Standard T-Grid
Option D1 works with 9/16" and 15/16" flat T-grid ceilings. It can also be used with slot T-grid ceilings, but it will not sit flush with the bottom of the T-bar.



D2 Slot T-Grid
Option D2 is designed to sit flush with slot T-grid ceilings and some regular tile ceiling types.

Specifications

Due to continuing product improvements, Philips Ledalite reserves the right to change specifications without notice.

Housing

Die-formed, post-painted, 22 gauge cold-rolled steel. Multiple wire entrances are available (top or side) to allow continuous row mounting of fixtures. Optional frame restraint is available to provide additional safety support to the optical frame.

Optical System

The optical frame assembly consists of an acrylic panel with a layer of protected MesoOptics film which efficiently provides a luminous, controlled, low glare batwing distribution. The optical frame ends are constructed from die-formed cold-rolled steel assembled together with extruded aluminum profiles in a sturdy frame. The frame is hinged to allow easy access to the inside of the fixture. Maintenance can be performed from below the ceiling.

Weight

Maximum 25lb.

Electrical

Factory pre-wired to section ends with quick-wire connectors.

Driver

Dimming: 0-10V - 10-100%. Power factor: greater than 98% (120V) and greater than 85% (277V). Output is Class 2 rated.

Wiring

Optional flex whips are supplied in 6' lengths.

Approvals

Certified to UL, IES & CSA Standards. City of Chicago Approved CCEA (housing option C). Type IC Rated

Finish

Housing and Frame: Post-painted, high quality powder coat. Available in white only.

Environment

Rated for dry or damp locations in operating ambient temperatures of 0-40°C (32-104°F).

LED lighting facts
A Program of the U.S. DOE

Light Output (Lumens) 4344
Watts 54.9
Lumens per Watt (Efficacy) 79

Color Accuracy
Color Rendering Index (CRI) **83**

Light Color
Correlated Color Temperature (CCT) **3000 (Bright White)**

2700K 3000K 4500K 6500K

All results are according to IESNA LM-79-08: Approved Method for the Electrical and Photometric Testing of Solid-State Lighting. The U.S. Department of Energy (DOE) verifies product test data and results.

Visit www.lightingfacts.com for the Label Reference Guide.

Registration Number: F46Z-KESP16 (2/7/2012)
Model Number: 9"14D***LC44
Type: Surface-mounted or recessed troffers

