

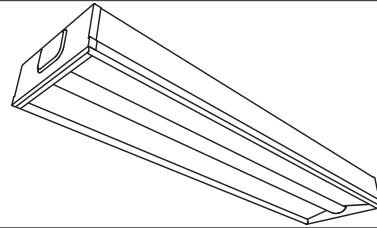
PureFX[®]



Recessed

1'x4'

1 T8



Project Name

Spec Type

Notes

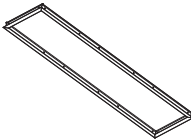
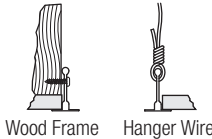
Order Guide

Some combinations of product options may not be available. Consult factory for assistance with your specification.

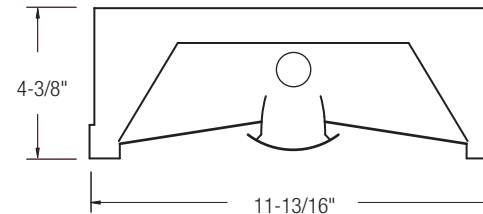
9414	<input type="text"/>	<input type="text"/>	T132	-	<input type="text"/>	-	<input type="text"/>	-	<input type="text"/>	-	<input type="text"/>
Product Series & Size	Version	Configuration	Lamping	Housing	Wiring	Voltage	Ballast				
PureFX 1'x4'	D1 Standard T-Grid	ST Standalone CR Continuous Row SMS Standalone Master/Satellite CMS Continuous Row Master/Satellite	1 T8 (32W)	S Standard (22ga.) C Chicago Plenum T Standard w/ Frame Restraint	1 1 cct 5 1 cct w/ Battery Pack 7 1 cct Dimming	1 120V 2 277V 3 347V	E Standard Ballast				
See details on next page						Consult website for complete list of standard wiring options	Consult website for ballast manufacturer information				

Upgrades & Accessories

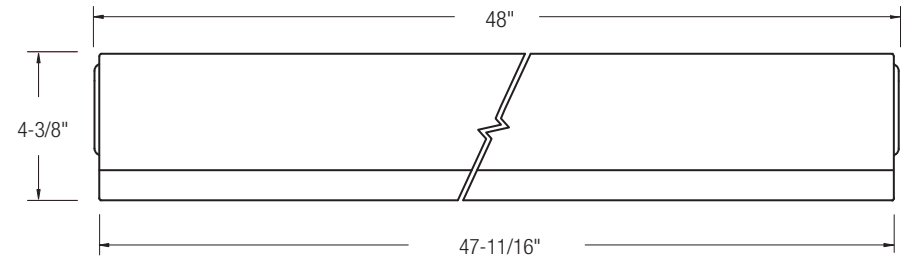
Please indicate with check mark.

- | | |
|--|---|
| <input type="checkbox"/> Lamps Included | <input type="checkbox"/> Lamps Included & Installed |
| <input type="checkbox"/> Job Pack | <input type="checkbox"/> Flex Whip |
| <input type="checkbox"/> Drywall Kit
 | Can be mounted to wood frame or with hanger wire
 |
| <input type="checkbox"/> Response Daylight
For details visit www.ledalite.com/response | |

Cross Section



Side View

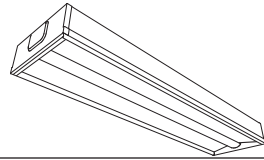


PureFX®

Recessed

1'x4'

1 TB



Photometry

Report Summary

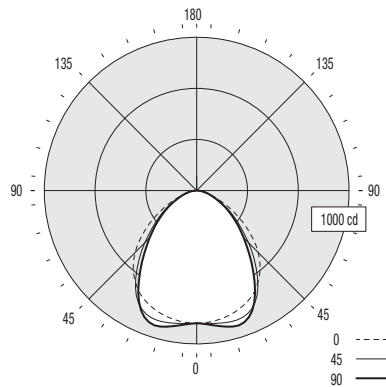
Report # 2101768
Filename 9414D1T132.ies
Efficiency 69.3%

Spacing Criteria 1.3 @ 0° along
 1.3 @ 90° across

Meets RP-1-04 recommendations for VDT-Normal spaces

Candela Distribution

Vertical Angle	Horizontal Angle					Zonal Lumens
	0	22.5	45	67.5	90	
0	866	866	866	866	866	
5	863	864	870	878	877	84
15	840	851	885	909	919	249
25	795	813	853	844	863	383
35	709	710	697	632	648	423
45	571	525	483	421	438	372
55	382	331	300	264	279	275
65	198	171	166	150	155	166
75	69	65	75	69	76	76
85	8	9	19	12	21	18
90	0	0	0	0	0	



Coefficients of Utilization (%)

Ceiling: Wall:	80				70				50				0			
	70	50	30	10	70	50	30	10	70	50	30	10	70	50	30	10
0 RCR	82	82	82	82	80	80	80	77	77	77	77	69				
1	76	73	71	68	74	72	69	69	67	65	60					
2	70	65	61	57	68	64	60	61	58	55	52					
3	65	58	53	49	63	57	52	55	51	48	45					
4	59	52	46	42	58	51	46	49	45	41	39					
5	55	47	41	37	54	46	41	45	40	36	34					
6	51	42	37	33	50	42	36	41	36	32	30					
7	47	39	33	29	46	38	33	37	32	29	27					
8	44	35	30	26	43	35	30	34	29	26	24					
9	41	33	27	24	40	32	27	31	27	23	22					
10	39	30	25	21	38	30	25	29	25	21	20					

Based on a floor reflectance of 0.2

Avg. Luminance (cd/m²)

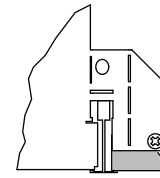
Vertical Angle	Horizontal Angle		
	0	45	90
55	1987	1561	1451
65	1398	1172	1094
75	795	865	876
85	274	650	719

IES files for this and other photometric options can be downloaded online at www.ledalite.com

Additional Information

Mounting

Integrates with most common T-bar ceiling types.

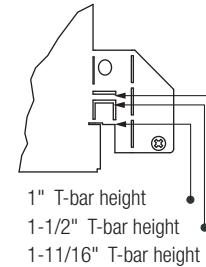


D1 Standard T-Grid

Option D1 works with 9/16" and 15/16" flat T-grid ceilings. It can also be used with slot T-grid ceilings, but it will not sit flush with the bottom of the T-bar.

Ceiling Types

Integrated mounting tabs can be field-adjusted to various T-bar ceiling heights for fastening directly to the T-bar grid and/or tied-off to the building structure.



1" T-bar height
 1-1/2" T-bar height
 1-11/16" T-bar height

Specifications

Due to continuing product improvements, Ledalite reserves the right to change specifications without notice.

Housing

Die-formed, post-painted, 22 gauge cold-rolled steel (New York City version is 20 gauge). Wire entrances are positioned on the side of the housing to allow easy wiring access for the installer. Multiple wire entrances are available on top or side to allow continuous row mounting of fixtures. Optional frame restraint is available to provide additional support to the optical frame.

Weight

Maximum 30 lbs.

Optical System

Optical assembly consists of flat acrylic panels and extruded curved acrylic lens. A protected MesoOptics® film layer creates optimal light distribution and high efficiency. The optical frame ends are constructed from die-formed cold-rolled steel assembled together with extruded aluminum profiles in a sturdy frame. The frame is hinged to allow easy access to the inside of the fixture. Maintenance can be performed from below the ceiling without tools. No hardware is visible.

Mounting

Fixture is compatible with most ceiling types. Integrated bend-out tabs are provided for different T-grid heights. Optional drywall kit is available for non-accessible ceilings. Use screws or hanger wire (supplied by others) to secure fixture.

Ballast

Electronic. Supplied with pre-installed ballast disconnects as per national electric codes.

Wiring

Optional flex whips are supplied in 6' lengths for 1x4, 2x2 and 2x4 fixtures. Flex connectors are supplied in 9' lengths for standard master/satellite configurations.

Air Return

Air return option available in 2'x2' and 2'x4' sizes only. Side rails are finished in black.

Approvals

Certified to UL & CSA Standards.
 City of Chicago Approved CCEA (housing option C).
 Designed to comply with NYC code requirements (Housing Option N).

Finish

Housing and Frame: Post-painted, high quality powder coat. Available in white only.