

**PHILIPS**  
**LEDALITE**

**Linear**

MicroSquare gen2

Suspended,  
Surface & Wall



Slender  
elegance,  
powerful  
luminance

Achieve stellar performance with the refined good looks of our most streamlined continuous linear luminaire.

# Breathe new light...

into your office interiors. MicroSquare gen2 has new options that reflect the high end architectural elements you search for.

You design unique signature spaces. Your lighting should enhance your floorplans and highlight the key textures and materials you have chosen so thoughtfully. Philips Ledalite's MicroSquare gen2 has been re-engineered to furnish your space with the highest quality, discreet, narrow lines of continuous light.

Elegant, low glare illumination with wide-throw upper and lower distributions improve visual comfort while allowing increased fixture spacing. This in turn, helps reduce initial and operating costs.

- **Elements of design** – Sleek new endcap options allow designers to tailor lighting to contemporary spaces.
- **Serious efficacy** – With light outputs up to 6000lm/4ft and efficacies up to 128 LPW, MicroSquare gen2 delivers as much illumination as wider, larger luminaires.
- **Discreet and uniform** – LED optics carefully engineered to reduce glare and hot spots. Wide throw distribution offers beautifully uniform light across the ceiling plane.



Embrace the  
elements...



& elevate  
your design



Sleek  
illumination  
for busy  
spaces

Large Open Office

Luminaire Type	Suspended Direct/Indirect
Spacing	12' o.c.
Lumen Package*	3100 lm/4ft, 55% Up
Power & Color Temp	24.5 W/4ft, 3500K
Efficacy	125 LPW
Light Level**	33 fc (cubicle area)
Max/Min Workplane**	3.4 (cubicle area)
Max/Min Ceiling**	5.9 (cubicle area)
Energy Density	0.34 W/ft <sup>2</sup>
Room Size:	60'L x 30'W x 9'H

\*Nominal value /4ft luminaire

\*\* Excludes outer edges of space, LLF 0.85

“Luxury  
is in each  
detail”

- Hubert de Givenchy

#### Professional Classroom

Luminaire Type	Suspended Direct/Indirect
Spacing	8' o.c.
Lumen Package*	3100 lm/4ft, 55% Up
Power & Color Temp	24.5 W/4ft, 3500K
Efficacy	125 LPW
Light Level**	41 fc
Max/Min Workplane**	3.5
Max/Min Ceiling**	7.8
Energy Density	0.64 W/ft <sup>2</sup>
Room Size:	24'L x 16'W x 9.5'H

\*Nominal value /4ft luminaire

\*\* Excludes outer edges of space, LLF 0.85



“Details matter, it’s worth getting it right”

- Steve Jobs

	Work Area	Meeting Area
Luminaire Type	Surface Direct	Suspended Direct/Indirect
Spacing	8' o.c.	N/A
Lumen Package*	2600 lm/4ft 100% Dn	4300 lm/4ft 60% Dn
Power & Color Temp	25.3 W/4ft, 4000K	38.7 W/4ft, 4000K
Efficacy	102 LPW	111 LPW
Light Level**	40 fc	36 fc
Max/Min Workplane**	2.2	4.4
Energy Density	0.59 W/ft <sup>2</sup>	0.40 W/ft <sup>2</sup>
Room Size:	16'L x 16'W x 9.5'H	12'L x 16'W x 9.5'H

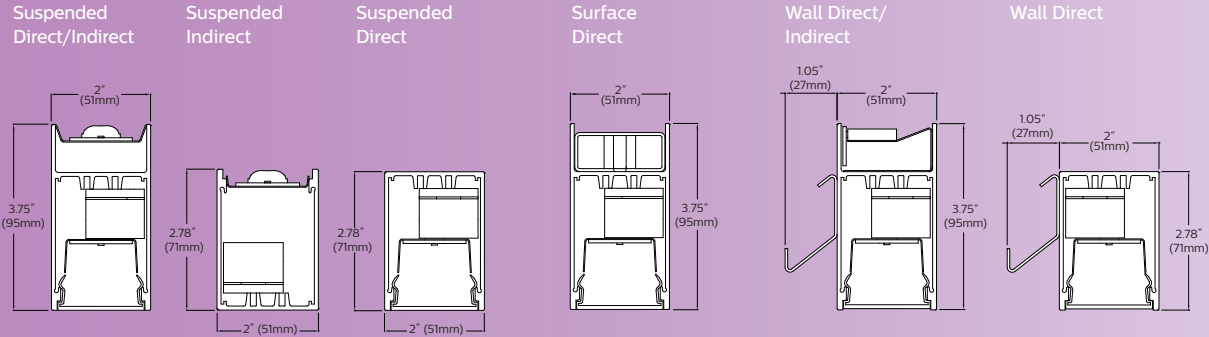
\*Nominal value /4ft luminaire

\*\* Excludes outer edges of space, LLF 0.85

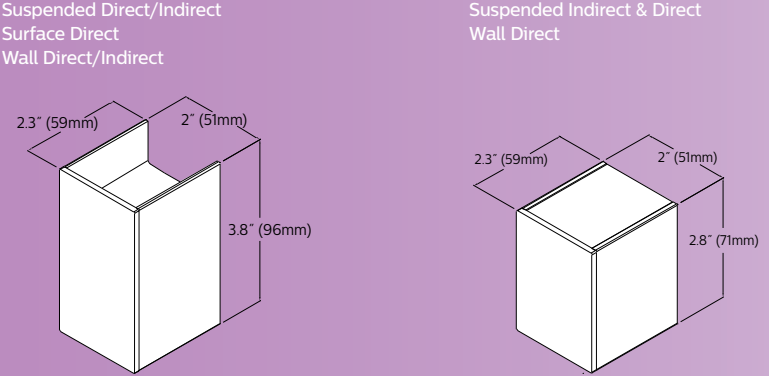


# Exceptional elements

## Dimensions



## Endcaps



## Endcap Choices



Solid Cube (Standard)    Sculpted Black Acrylic    Flush Maple

# All new innovative optics

### Freeform elliptical optic

In the upper hemisphere, MicroSquare gen2 uses the same high-performance Freeform elliptical optic as Philips Ledalite TruGroove luminaires. This optic redirects light from upward-facing LEDs and creates an unparalleled wide-throw batwing distribution. The result is significantly smoother ceiling illumination and the ability to increase row spacing.

### MicroSquare gen2 silk lens

The lower hemisphere of the luminaire utilizes the 2nd generation of Philips Ledalite's 'Silk' engineered diffuser. This innovative lens provides better efficacy with an even softer appearance than the previous version.

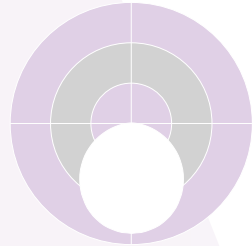
### Amazing asymmetric

For applications that are mounted on or close to a wall, MicroSquare utilizes a specialized asymmetric optic that was custom designed for TruGroove. The upper light is thrown into the room, avoiding light waste and hotspots. The new lower Silk lens ensures a smooth gradation of light down the vertical surface.



# Light where you need it

## Symmetric



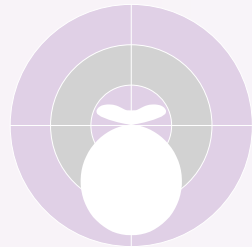
100% Down

Suspended, Surface & Wall



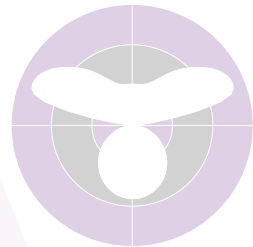
0% Down

Suspended



75% Down

Suspended

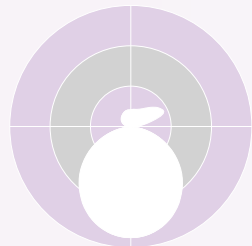


55% Up



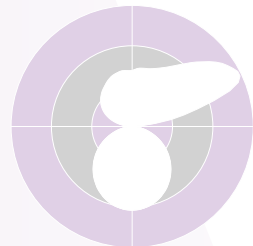
70% Up

## Asymmetric

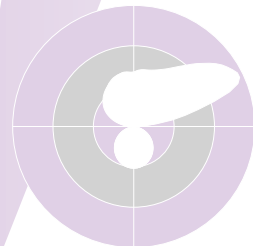


80% Down

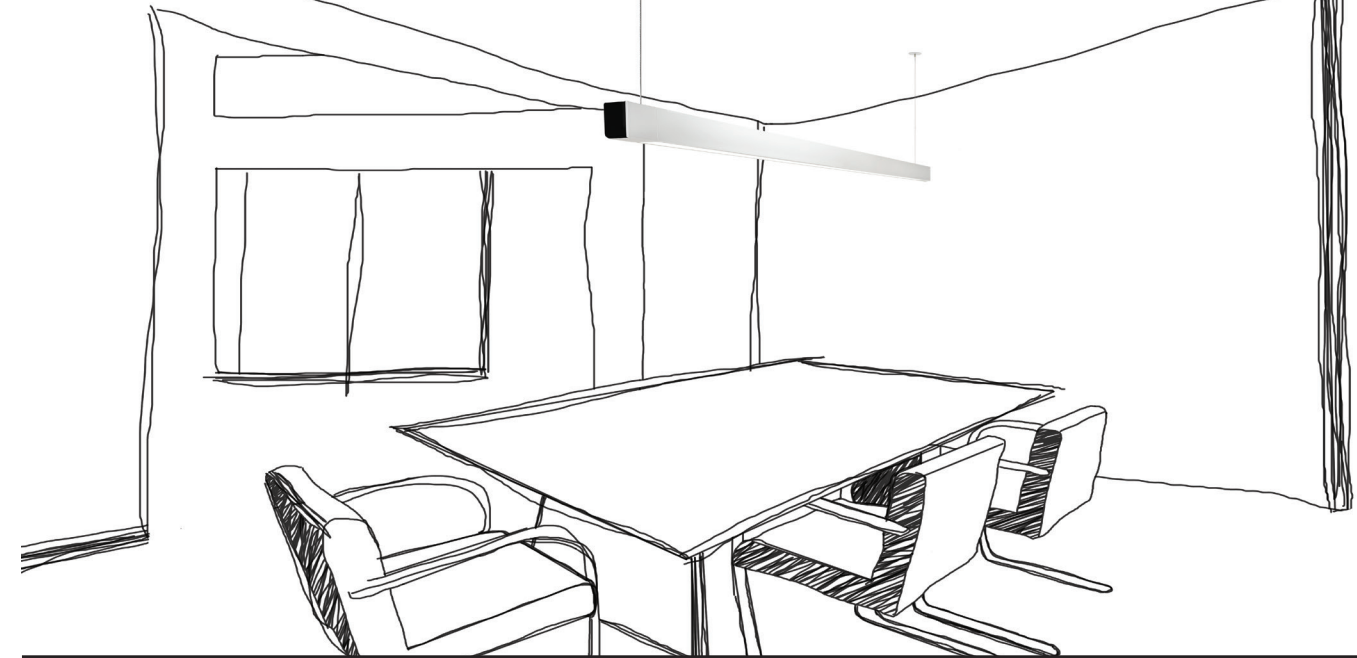
Suspended & Wall



55% Up



70% Up



## Specification guide (FPO)

### MicroSquare gen2 LED suspended, surface & wall

Product Version		Distribution	Light Source			
Family	Mounting	Down/Up	Source	CRI & Color Temp	Lumen Package*	Optics
22 MicroSquare gen2 LED	<b>0</b> Suspended <b>1</b> Surface Mount <b>2</b> Wall Mount	<b>1</b> Direct	L LED	<b>A</b> CRI>80 4000K <b>B</b> CRI>80 3500K <b>C</b> CRI>80 3000K	<b>G</b> 2600 lm/4ft <b>K</b> 1300 lm/4ft	<b>LN</b> Flush silk lens
		<b>3</b> Indirect*				<b>C</b> 4700 lm/4ft <b>E</b> 3400 lm/4ft
		<b>5</b> Indirect/Direct			<b>B</b> 5900 lm/4ft (75% up) <b>C</b> 4700 lm/4ft (70% up) <b>E</b> 3100 lm/4ft (55% up)	
		<b>6</b> Direct/Indirect				<b>B</b> 5900 lm/4ft (45% down) <b>C</b> 4300 lm/4ft (60% down) <b>E</b> 3300 lm/4ft (75% down)
		* Suspended mount only			* Nominal output, approximate distribution.	
Run Length		Electrical			Finish	Endcaps*
	Wiring**	Voltage		Driver†		
<b>04</b> 4ft <b>06</b> 6ft <b>08</b> 8ft <b>XX</b> Total Run Length in 2ft Increments	<b>7</b> 1 cct w/Dimming <b>G</b> 2 cct Dimming (Up/Down) <b>M</b> 1 cct Dimming + EM Wiring ** More wiring options available - consult your Philips representative.	<b>1</b> 120V <b>2</b> 220-277V <b>3</b> 347V		<b>E</b> Philips Advance (1% dimming) † Other driver types supported - consult your Philips representative.	<b>W</b> White <b>T</b> Titanium <b>B</b> Black <b>C</b> Custom	<b>SC</b> Solid Cube (standard) <b>SB</b> Sculpted Black Acrylic <b>FM</b> Flush Maple * Black, titanium or white finish to match row.





© 2017 Philips Lighting Holding B.V. All rights reserved. Philips reserves the right to make changes in specifications and/or to discontinue any product at any time without notice or obligation and will not be liable for any consequences resulting from the use of this publication.

PLe-1701BR 04/17 [philips.com/luminaires](http://philips.com/luminaires)

Philips Lighting  
North America Corporation  
200 Franklin Square Drive  
Somerset, NJ 08873  
Tel. 855-486-2216

Philips Lighting Canada Ltd.  
281 Hillmount Rd,  
Markham, ON,  
Canada L6C 2S3  
Tel. 800-668-9008